

Instruction Manual

Models

Nevada

Everest

Everest Round

Read these instructions carefully before installing, using and servicing the equipment.
This instruction manual is provided with the product.

Thank you for purchasing SOLZAIMA equipment.

Please read this manual carefully and save it for future reference.

- * All products meet the requirements of the Construction Products Directive (EU Reg. No. 305/2011) and are CE approved;
- * The pellet stoves were built in accordance with EN 14785:2008;
- * SOLZAIMA is not responsible for any damage to the equipment when it is installed by unqualified personnel;
- * SOLZAIMA is not responsible for any damage to the equipment when the installation and rules indicated in this Manual are not respected;
- * All local regulations, including national and European standards, must be respected in the installation, operation and maintenance of the equipment;
- * Whenever you need assistance, you should contact the supplier or installer of your equipment. You should provide the serial number of your stove on the nameplate on the back of the equipment and on the label that is attached to the plastic cover of this manual;
- * Technical assistance must be carried out by your installer or solution supplier, except in special cases after evaluation by the installer or technician responsible for the assistance, who will contact SOLZAIMA if deemed necessary;
- * If you need more information about the electronics applied in the SOLZAIMA equipment you can scan the following QR Codes.



[Columbus Electronics](#)



[Not applicable Columbus Electronics](#)

Contacts for technical support:

www.solzaima.pt

apoio.cliente@solzaima.pt

Morada: Rua dos Outarelos; n^o 111;

3750-362 Belazaima do Chão, Águeda – Portugal

Contents

1.	Solzaima.....	1
2.	Package contents.....	2
2.1.	Unpacking the pellet air stove.....	2
3.	Safety precautions	3
4.	Four your safety, we recommend that you should:	4
5.	Advice about action in the event of a chimney fire (include equipment)	6
6.	Unit Dimensions	6
7.	Technical specifications.....	8
8.	Installing the air intake duct.....	9
9.	Installing the smoke ducts in a pellet stove	10
9.1.	Installation requirements	11
9.2.	Precautions on installation of smoke exhaust ducts	13
9.3.	Installation examples for smoke exhaust chimney in the stove	16
9.3.1.	Option 1 (Only for the Nevada stove)	16
9.3.2.	Option 2 (Only for the Nevada stove)	18
9.3.3.	Option 3 (Only for the Everest stove)	19
9.4.	Installing flue COAXIAL system (models Everest and Everest Round)....	20
9.5.	Installing without a chimney.....	21
9.5.1.	Installing without chimney flue rigid	21
9.5.2.	Installing without chimney flue coaxial (models Everest and Everest Round)..	23
9.6.	Installation with chimney	24
10.	Installing the casings.....	26
10.1.	Installation of cover Nevada	26
10.2.	Installation of cover Everest	30
10.3.	Installation of cover Everest Round	33
11.	Installing the ductable air auxiliary ventilator	40
11.1.	Nevada	40
11.1.1.	Electrical connections	45
11.2.	Everest Round	47
11.2.1.	Electrical connections	52
11.2.2.	Adjusting the ductable air intake.....	53
12.	Recommendations for the installation of the ductable air (Nevada and Everest Round).....	55

13. Installing the Wall mounting kit (optional Nevada)	57
14. Fuel	60
15. Using the pellet stove.....	61
16. Display	63
16.1. Display Information Summary	64
16.1.1. Menu.....	64
16.1.2. Date / Time.....	65
16.1.3. Timer	67
16.1.4. Sleep (this menu is displayed only while the unit is operating).....	71
16.1.5. Info.....	71
16.1.6. Settings Menu	74
17. Infrared remote control	80
18. List of Alarms / failures / recommendations	81
18.1. Failures.....	81
18.2. Alarms.....	82
19. Control Columbus	84
19.1. Remote Control.....	84
19.2. Display	86
19.3. Settings Menu	87
19.3.1. Language.....	87
19.3.2. Time and Date.....	89
19.3.3. Remote Control.....	91
19.4. Display Menu.....	92
19.4.1. Contrast.....	93
19.4.2. Min Brightness.....	94
19.4.3. Screen Saver.....	94
19.4.4. Firmware Codes.....	94
19.5. Service Menu.....	95
19.5.1. Counters.....	96
19.5.2. Error List.....	97
19.5.3. Secondary Information	97
19.5.4. Cleaning Reset.....	99
19.5.5. Auger Calibration	99
19.5.6. Fan Calibration.....	100
19.5.7. Manual Load.....	101

19.6.	Power Menu	102
19.6.1.	Combustion.....	102
19.6.2.	Heating.....	103
19.6.3.	Canalization (Nevada and Everest Round)	104
19.7.	Thermostats Menu	104
19.8.	Chrono Menu.....	106
19.9.	Info Menu	111
20.	Alarm / Failure / Recommendation List – Columbus Control.....	113
21.	Operating the unit.....	116
22.	Maintenance.....	118
22.1.	Cleaning the glass.....	118
22.2.	Cleaning the unit (Cont.)	119
22.3.	Additional cleaning (Periodic).....	121
22.3.1.	Cleaning the interior of the combustion chamber	121
22.3.2.	Cleaning the deflecting plate	122
22.3.3.	Cleaning the smoke circuit (only Everest stove)	123
22.3.4.	Cleaning the fume extractor	124
23.	Installing and operating with the remote control - "chronothermostat".....	126
23.1.	Instructions to assembler the remote control.....	127
24.	Installing the security optional – UPS connection kit.....	130
25.	Maintenance Plan and Log.....	132
26.	Maintenance Guide Label	136
27.	Electrical Diagram of the Free-Standing Fire Unit	137
28.	Life Cycle of a Free-Standing Fire Unit	138
29.	Warranty	138
29.1.	Model-specific conditions.....	138
29.2.	Warranty general conditions	138
30.	Annexes	147
31.	Statement of Performance	157
31.1.	Statement of Performance Nevada	157
31.2.	Statement of Performance Everest	160
31.3.	Statement of Performance Everest Round	163

1. Solzaima

Solzaima's vision has always been clean, renewable and more economical energy. For this reason, for more than 45 years we have been dedicated to the manufacture of equipment and solutions for biomass heating.

As a result of the persistence and unconditional support of its network of partners, Solzaima is today a leader in the production of biomass heating, the best example of which are central water heating stoves and its range of pellet stoves.

Every year we equip more than 20,000 homes with biomass heating solutions. A sign that consumers are attentive to the most ecological and economical solutions.

Solzaima has ISO 9001:2015 Quality certification and ISO14001:2015 Environmental certification.

2. Package contents

The packaging of the equipment has the following content:

- Pellet stove model Nevada 8 kW, Everest 7 kW or Everest Round;
- Covers;
- Instruction Manual;
- Power cable;
- Cleaning handle exchanger (Nevada model only);
- Infrared remote control.

2.1. Unpacking the pellet air stove

To unpack the unit, first remove the straps and the retractable bag involving the cardboard box. Then, pull out the cardboard box by lifting it and remove the plastic bag containing the pellets stove and the Styrofoam plates. Finally, unscrew the four brackets that secure the unit to the wood pallet (Figure 1).



Figure 1 - Unpacking the pellets stove

3. Safety precautions

- Solzaima is not liable for any damages to the equipment if the specified precautions, warnings and operating procedures are not followed.
- The equipment manufactured by Solzaima are easy to operate and special attention was given to their components in order to protect users and installers against potential accidents.
- The unit must only be installed by authorized technicians, who should supply the client with a relevant statement of conformity and who shall be liable for final installation and consequent product good operating conditions.
- This equipment must be used according to its intended use and pursuant to the manufacturer's specification. The manufacturer is excluded from all liability, by contract or by tort, caused by injury to people, animals or property arising from misuse or faulty installation or servicing.
- After removing the packaging, verify the contents to check their integrity and completeness. If the content of the package fails to correspond to that indicated in point 1, contact the salesperson from whom you purchased the equipment.
- All the components that make up the equipment and that guarantee its operability and energy efficiency should only be replaced with original parts, provided by an authorized technical support center.
- The maintenance of the equipment should be serviced at least once a year by the installation engineer.
- This manual is provided with the product. Please ensure that you keep it beside the equipment at all times.

4. For your safety, we recommend that you should:

- Make sure you fully read and understand this instruction manual before using the pellets stove as a biomass heating unit.
- This appliance is NOT intended for use by persons (including children) with reduced physical, sensory or mental capabilities, or lack of experience and knowledge, unless they have been given supervision or instruction concerning use of the appliance by a person responsible for their safety. Children should be supervised to ensure that they do not play with the appliance
- DO NOT TOUCH the stove when barefoot or if any part of your body is wet or humid;
- Do NOT tamper with safety or adjustment features without the manufacturer's authorization;
- It is essential to place an air inlet grille near the equipment to be held correct combustion; and quite important that air intake grilles must be positioned so that they are not susceptible to blockage
- Do NOT cover, blockage or reduce the size of the air inlet grilles in the area where the equipment is installed.
- The pellets stove installation has clearance requirements for proper combustion. Rooms with air tight isolation or any existing air extraction devices sources in the room may prevent the unit from working properly;
- Do not leave the packing materials near children;
- During normal operation, DO NOT open the door of the pellet stove;
- Some parts of the equipment may overheat during normal operation, so please AVOID direct contact with parts such as the door and all its components;
- Check the existence of any OBSTRUCTIONS on the fume duct before turning on the equipment;
- This pellet stove is intended for residential use in protected areas. Safety systems may be triggered, which will be turning off the unit. If this occurs, contact technical assistance. Under no circumstances should you disarm the safety systems;
- This pellet stove is a biomass heating appliance equipped with an electric fume extractor. The occurrence of a power failure during its use may prevent the fume to be extracted, consequently causing the room to be filled with smoke. For this reason, you should have available a natural fume extraction system, like for instance a chimney;
- Solzaima has an optional safety system available which will enable you to connect your pellet stove to a UPS system. This will extend the operation of the fume extractor during a power failure, until complete extraction of all fumes produced by the appliance;

- If you intend to use the pellet stove unit while you are away from home or unattended, you should use the optional safety system described above for total safety during a power failure;
- During operation, NEVER turn off the pellet stove by disconnecting the electric plug. The fume extractor on the equipment is electric so disconnecting the power plug will prevent the extraction of combustion fumes;
- Disconnect the unit from the mains power before servicing. First you must allow the unit to cool down completely (if operating before);
- NEVER touch the interior of the unit without disconnecting it from the power mains;
- NEVER install the equipment in small rooms, bedrooms, rooms with explosive ambient or other in the similar conditions.

5. Advice about action in the event of a chimney fire (include equipment)

- Try to extinguish the fire without putting your life at risk.
- If within one minute cannot put out the fire, should call the fire department.
- Close doors and windows partition where the fire.
- Turn off the electrical current and close the gas before leaving your residence.
- Once abroad, must wait for the fire and be ready to give you the following information: location of fire, possible materials that are burning and what he did to prevent the progression of the fire.

6. Unit Dimensions

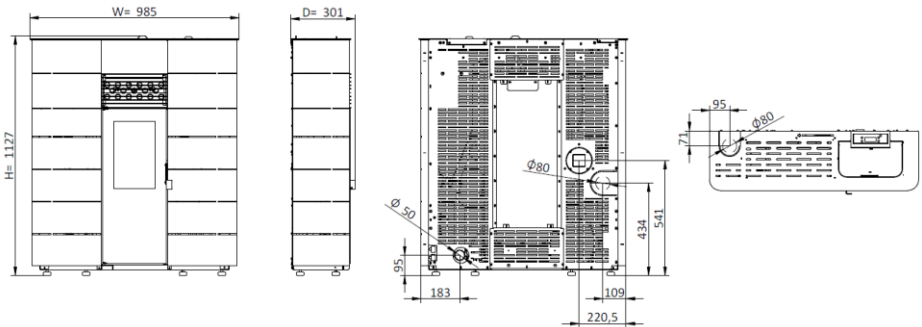


Figure 2-A - Dimensions of the Nevada pellet stove

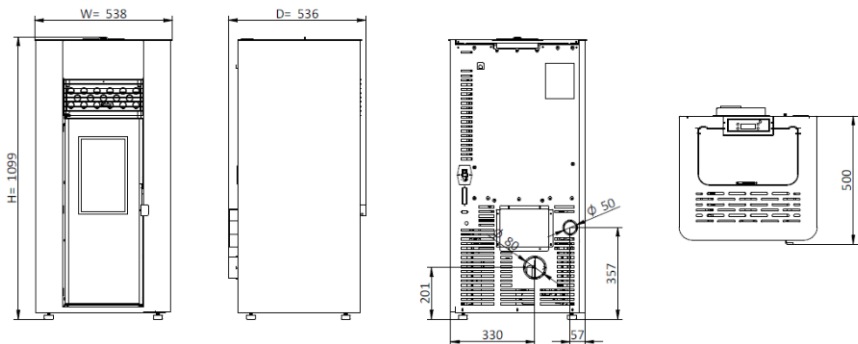


Figure 2-B - Dimensions of the Everest pellet stove

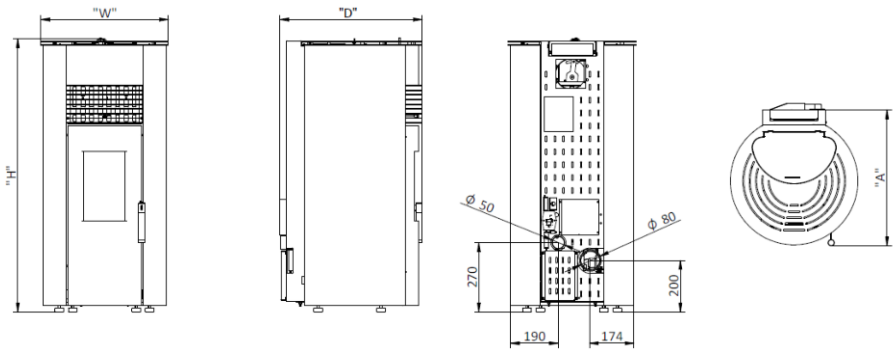


Figure 2-C - Dimensions of K500 pellet stove (example Amazon model)

Model	Dimension "H" (mm)	Dimension "W" (mm)	Dimension "D" (mm)	Dimension "A" (mm)	Weight (kg)
Everest Round K500	1072	500	561	533	92

Table 1 - Dimensions of Everest Round pellet stoves

7. Technical specifications

Features	Nevada	Everest	Everest Round
Weight	137 kg	121 kg	92 kg
Height	1127 mm	1099 mm	1072 mm
Width	985 mm	538 mm	500 mm
Depth	301 mm	536 mm	561 mm
Diameter of the fume discharge pipe	80 mm	80 mm	80 mm
Reservoir capacity	15 kg	22 kg	17,5 kg
Maximum heating capacity	164 m ³	148 m ³	200 m ³
Nominal heat output	7,0 kW	6,5 kW	8,8 kW
Reduce heat output	3,05 kW	3,1 kW	3,0 kW
Maximum fuel consumption	1,6 kg	1,5 kg	2 kg
Minimum fuel consumption	0,68 kg	0,68 kg	0,68 kg
Rated electric power	102 W	85 W	102 W
Electric power at start-up (<10min.)	378 W	378 W	362 kW
Rated voltage	230 V	230 V	230 V
Nominal frequency	50 Hz	50 Hz	50 Hz
Thermal yield at rated thermal power	92%	92%	91%
Thermal yield at reduced thermal power	96%	96%	96%
Combustion gas flow (Max.)	5 g/s	5 g/s	5 g/s
Combustion gas flow (Min.)	3 g/s	3 g/s	3 g/s
Combustion gas temperature (Max.)	137,0 °C	129 °C	165 °C
Combustion gas temperature (Min.)	64,5 °C	65 °C	64 °C
CO emissions at rated thermal power	0,01 %	0,01%	0,01%
CO emissions at rated reduced power	0,03 %	0,03%	0,03%
Draught in the chimney	12 Pa	12 Pa	12 Pa
Internal tangential ventilator power	59 W	80 W	59 W
Ventilator power for ductable air (optional)	45 W	N/A	45 W
Internal tangential fan flow	180 m ³ /h	322 m ³ /h	305 m ³ /h
Auxiliary fan flow	135 m ³ /h	-	135 m ³ /h

Table 2 - Technical Specifications List

Note: The tests were performed using wood pellets with a heating capacity of 4,9 kWh/kg. The above information was obtained during product homologation tests conducted by independent laboratories accredited for pellet unit testing.

8. Installing the air intake duct

The tube should be connected to existing combustion air and equipment must have a minimum bore diameter of 50 mm.

If you are using a pipe as the combustion air inlet from the outside, it **CANNOT BE LONGER THAN 60 cm** horizontally or show any **OBSTRUCTIONS** (such as bends);

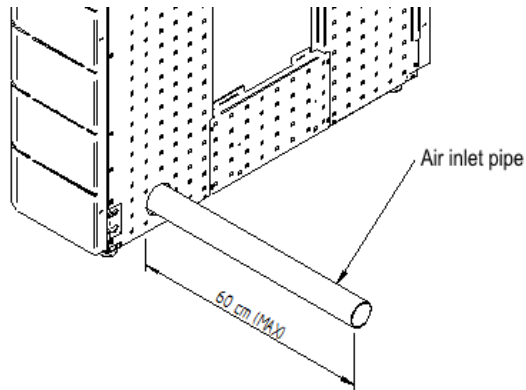


Figure 3 - Air inlet pipe

- In pellet stove **EVEREST**, the maximum allowed for an air inlet pipe for combustion from outside, is 100 cm long, with a minimum diameter of 50 mm and undisturbed (elbows 90°).

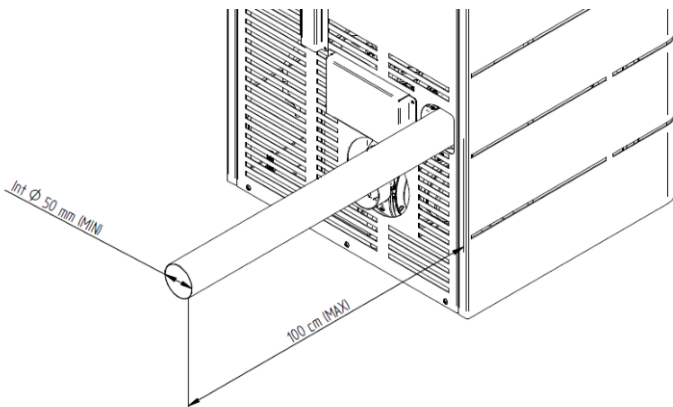


Figure 4 - Everest intake tube

- If you do not opt for a chimney with smoke outlet coaxial (see section 9.5 of this manual) the air inlet must be protected by a grid made in anti-insect mesh or similar product, provided that they do not reduce the air intake section.
- In the case of pellet stove Everest, being a stove, does not consume oxygen from inside the housing, collecting this outdoor environment; when connected to the air intake tube to the outside, this stove may be placed in insulated houses, the so-called passive houses.

Important note: the tubes or couplings to be used should contain elements of fence to ensure a good seal.

9. Installing the smoke ducts in a pellet stove

Before starting the installation, perform the following actions:

- Remove the instruction manual from the package, read it carefully and upon completing the installation procedure hand it over to the client.
- Check the product for completeness and to determine that it does not show any signs of damage. Any damages or defects should be checked before the equipment is installed.
- This pellets stove is equipped with four adjustable height feet at the base, allowing for easy regulation when installing the equipment on a non-levelled surface.

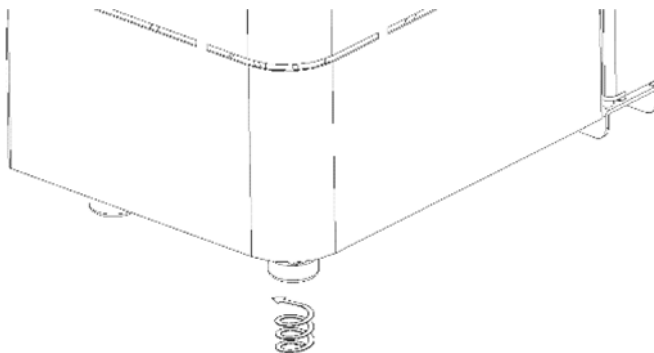


Figure 5 - Adjusting the free-standing pellet fire unit

- Connect an 80 mm in diameter between the outlet of the combustion gases and a smoke exhaust duct to the exterior of the building (e.g., chimney) – check schemas in the point 9 of this manual.

- The face of the device that contains the output of main hot air will have to be geared to the space to be warm.
- The machine has a chrono-thermostat on the display. Optionally a conventional external programmer (not included) can be used to automatically set the operating periods of the device.
- Important note: the tubes or couplings to be used should contain elements of fence to ensure a good seal.

9.1. Installation requirements

The minimum distances from the pellet stove to particularly flammable surfaces are shown in Figure 6, Figure 7 and Figure 8.

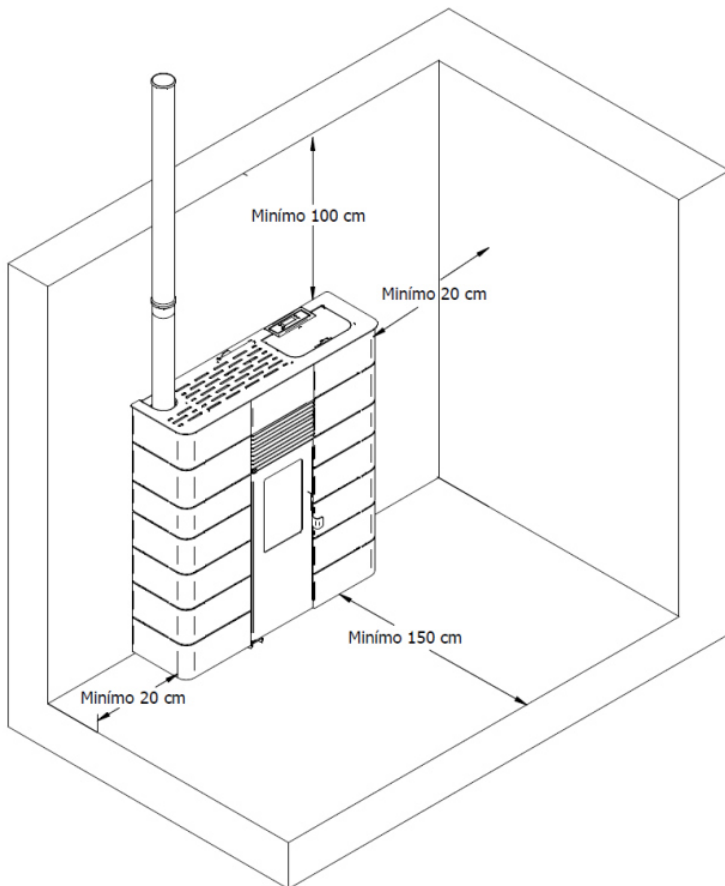


Figure 6 - Minimum distances from all surfaces Nevada

- The base where welcomes the stove cannot be in combustible material (e.g., carpet), so there must be always adequate protection and must also be strong enough to support the equipment.

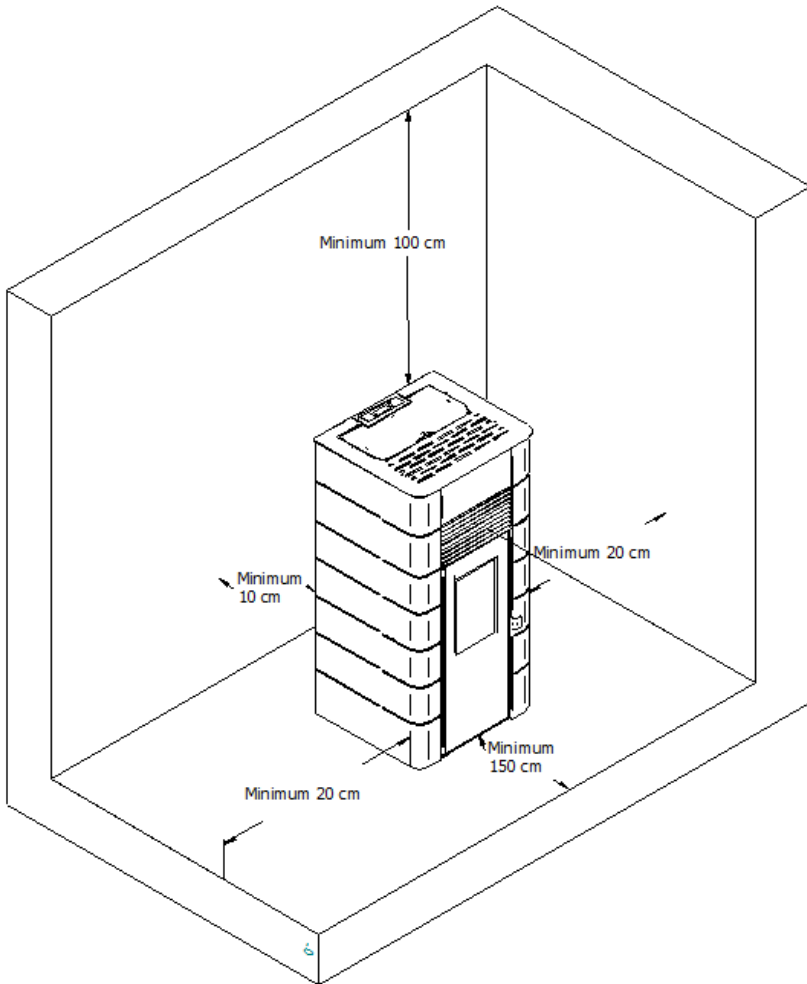


Figure 7 - Minimum distances from all surfaces Everest

At the top of the stove is necessary to keep a minimum distance of 100 cm from the ceiling of the room, especially if they contain flammable material in their composition.

 **WARNING!**

If the stove is installed in a location with flammable objects such as curtains, sofas and other furniture, safety distances must be increased so that the radiation heat does not cause inflammation.

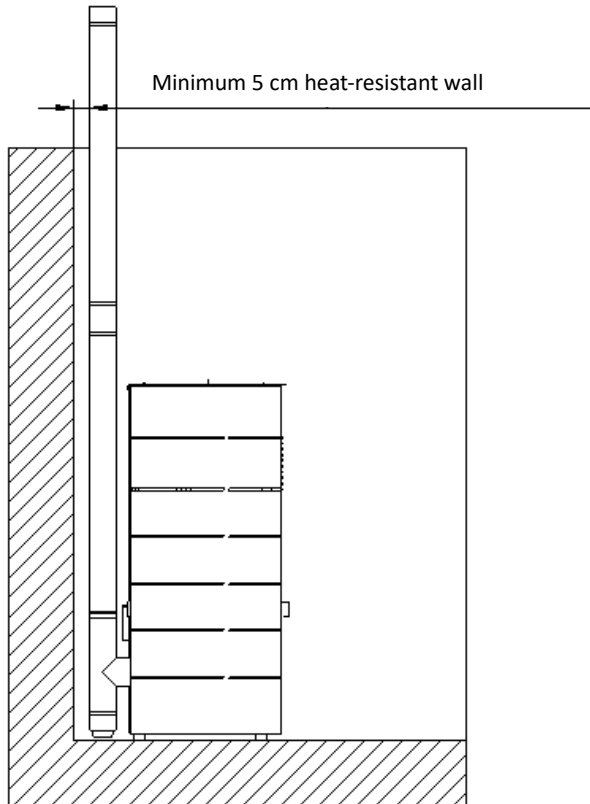


Figure 8 - Minimum distances of an indoor fireplace on a wall

Keep combustible and flammable materials at a safe distance.

9.2. Precautions on installation of smoke exhaust ducts

- The mounting of the exhaust gas pipe must be suitable for the purpose in accordance with local requirements and respecting the regulations in force.
- When installing the chimney tube if you have need for a hole in a wall or ceiling housing, you have to keep in mind the material in which they are built. If the material of construction is sensitive to heat (e.g., wood) should perform a hole and put a special

Union of wall with a minimum of 13 cm internal diameter, then isolate the flue tube of the machine with a suitable insulating material. (For example, 1,35 thickness with a thermal conductivity of 0,07 W/m° K).

- If installing the flue is next to a wall (less than 20 cm) where the condition previously laid down the pipe must be isolated.
- We recommend as an alternative to the use of insulated pipe insulation that should be used overseas to avoid condensation.

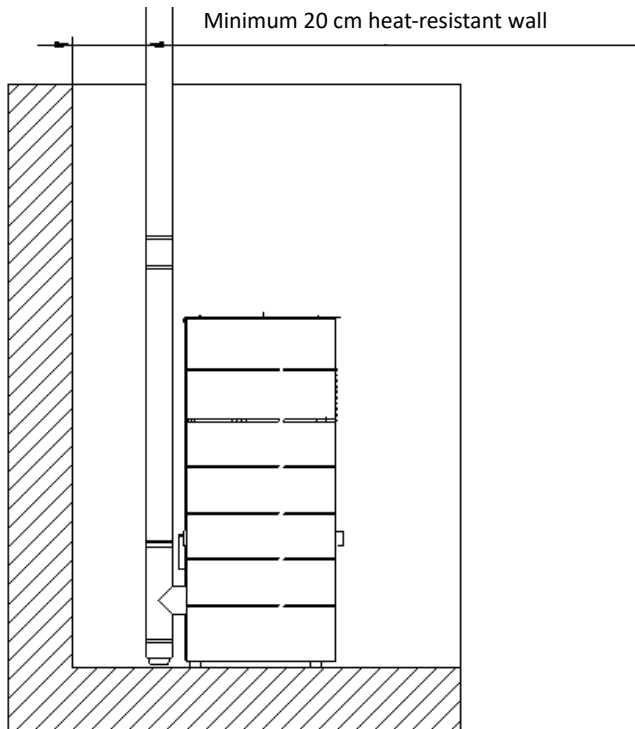



Figure 9 - Minimum distances from a chimney to a heat-sensitive wall

-  **IMPORTANT!** In the installation of a flue pipe in the stove pellets, put the output of the machine, a T-inspection with hermetic lid to allow regular inspection or disposal of heavy dust and condensate.
- As shown in Figure 10, the exhaust pipe must be held so that cleaning and maintenance to be provided by the insertion of inspection points.

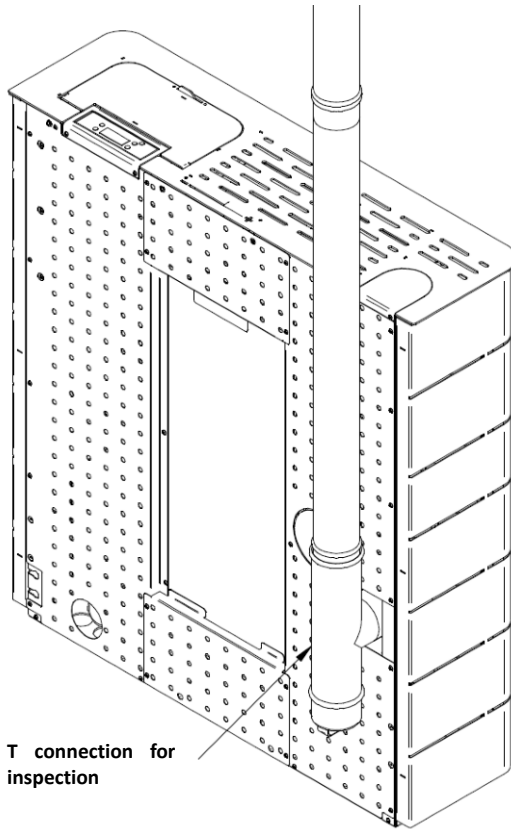


Figure 10 - Installation example for a T connection for inspection

- Under normal operating conditions, the combustion gas flow should create a pressure of -12 Pa, at one meter above the chimney neck.
- The stove must not share the chimney with other appliances.
- Any pipes installed outside the operating area must have double stainless-steel insulation and an internal diameter of 80 mm.
- The fume exhaust pipe may generate condensation, so we recommend that the appropriate systems for collecting condensates are installed.

9.3. Installation examples for smoke exhaust chimney in the stove

Pellet stove installation can be carried out four distinct forms, the option 1 the output of flue can be held by the upper part of the equipment. In options 2 and 3 the conduct goes out the back of the equipment.

The machine comes with a stainless steel $\text{Ø}80 \times 90^\circ$ curve off the hood of the unit.

For the listed solutions, the installer should have the following material available:

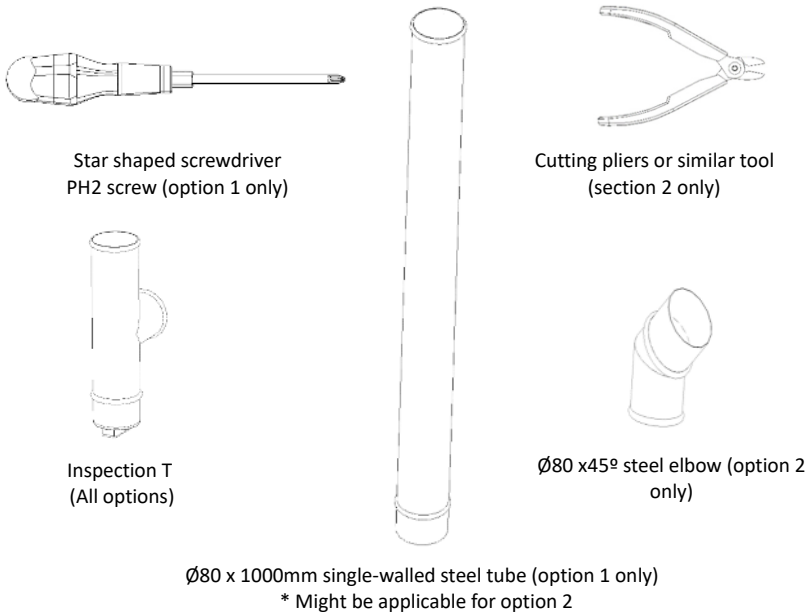


Figure 11 - Required material for the installation of fume ducts near the free-standing fire

9.3.1. Option 1 (Only for the Nevada stove)

After removing the casings from the unit, the inspection T must be fitted onto the $80 \times 45^\circ$ steel elbow integrated with the unit.

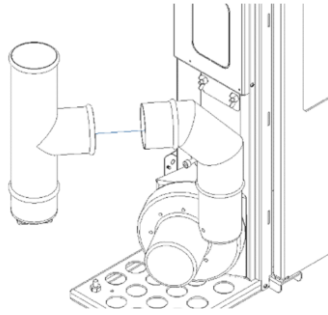


Figure 12 - Attaching the inspection-T Option 1

At a later stage, detach the upper cover by removing the two screws that secure it to the unit.

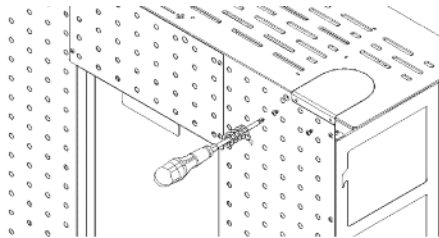


Figure 13 - Removing the upper cover - Option 1

Fit the steel tube through the opening on the upper section and attach it to the inspection T.

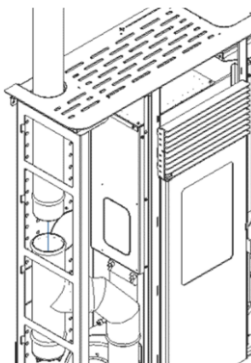


Figure 14 - Attaching the exhaust pipe - Option 1

9.3.2. Option 2 (Only for the Nevada stove)

Use a pair of pliers to remove the rear lid at the back of the unit by cutting the joints.

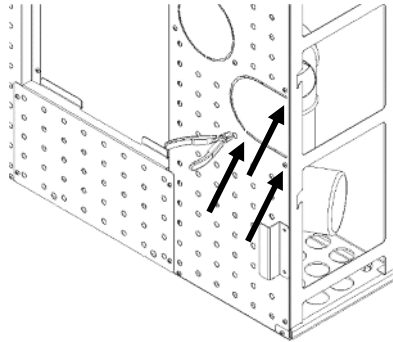


Figure 15 - Removing the rear cover - Option 2

After removing the casings from the unit, fit the 80x45° steel elbow onto the elbow already integrated with the unit.

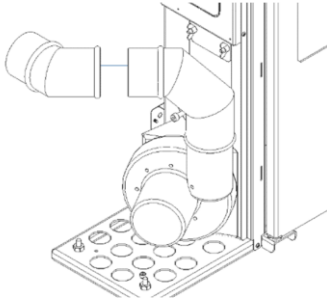


Figure 16 - Attaching the steel elbow - Option 2

Then, attach the inspection T to the Ø80 x 45° steel elbow and finally connect to the exterior.

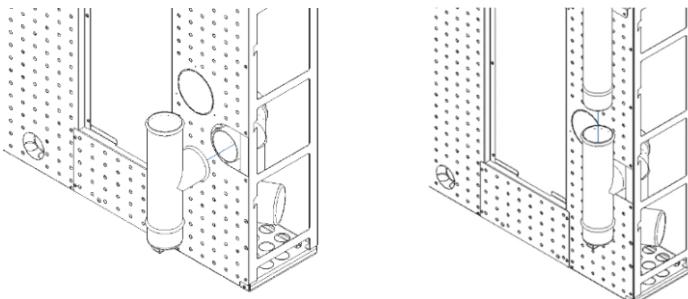


Figure 17 - Attaching the inspection T and the exhaust pipe - Option 2

9.3.3. Option 3 (Only for the Everest stove)

Should put the T as inspection demonstrates in Figure 18. If there is need to move away from the chimney of the equipment can only be put a tube horizontally to a maximum of **60 cm** without reductions or disturbances.

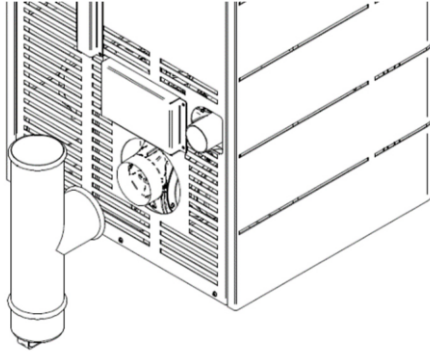


Figure 18 - Fit inspection T

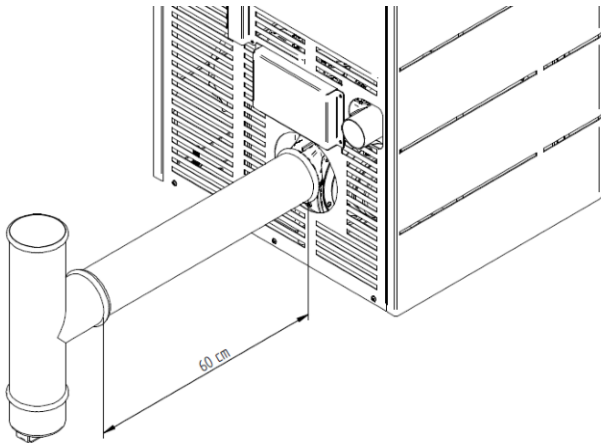


Figure 19 - Installation of an inspection t with an increase

WARNING

Must ensure that the connections between the different tubular elements in any of the options, be **PROPERLY** placed and sealed to prevent possible leakage of harmful gases to the housing.

To ensure good exhaustion of gases in the stove, it is recommended to carry out the installation of the fireplace as represented in sections 9.5 and 9.6.

9.4. Installing flue COAXIAL system (models Everest and Everest Round)

The installation of the stove can be performed also through the coaxial system. The installation of this type of fireplace is similar to that held in point 9.3.3 of this manual with the variation of connect the air inlet of the equipment in the flue.

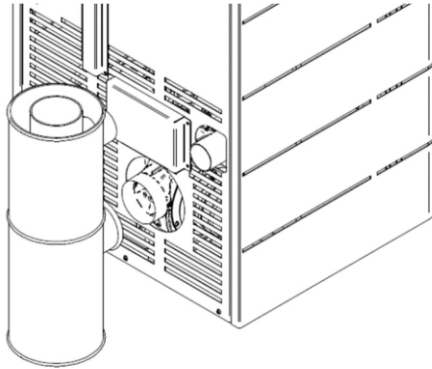


Figure 20 - Fit T coaxial inspection

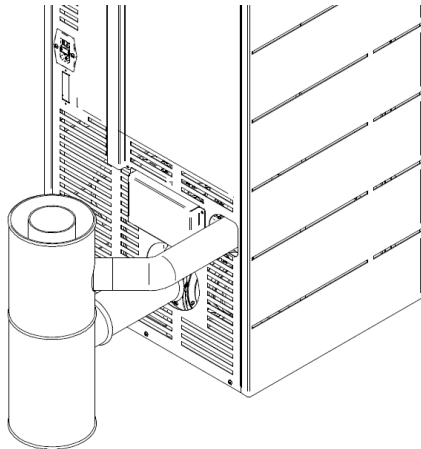


Figure 21 - Fit T coaxial inspection and with a horizontal leg raise

As mentioned in the previous paragraph can only connect the smoke outlet horizontally to a maximum 1000 mm, the same happens with the air inlet.

! IMPORTANT!

For an installation of coaxial ducts (vertical or horizontal configuration), you must configure in the technical menu what type of conduct used.

Both the smoke outlet as the air intake in this situation should not suffer disruptions or reductions (e.g., curves).

9.5. Installing without a chimney

9.5.1. Installing without chimney flue rigid

If you intend to install the pellet stove without a chimney, the installation should be performed as illustrated in Figure 22, bringing the fume exhaust pipe (with a minimum internal diameter of 80 mm) directly out through the roof and beyond.

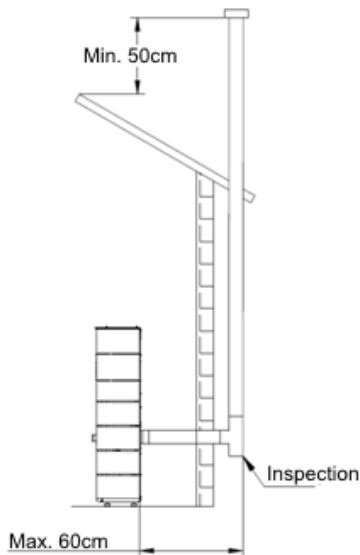


Figure 22 - Side view of an installation without a chimney, showing the inspection point

Double-walled stainless-steel insulated pipes must be used and properly attached to avoid condensation.

A T-tube must be installed at the base of the pipe to allow periodic inspections and annual maintenance, as illustrated in Figure 22.



The smoke outlet must be fitted with suitable meeting anti-hat and the local standards in force.

In Figure 23, are represented the basic requirements for the installation of the chimney of the stove.

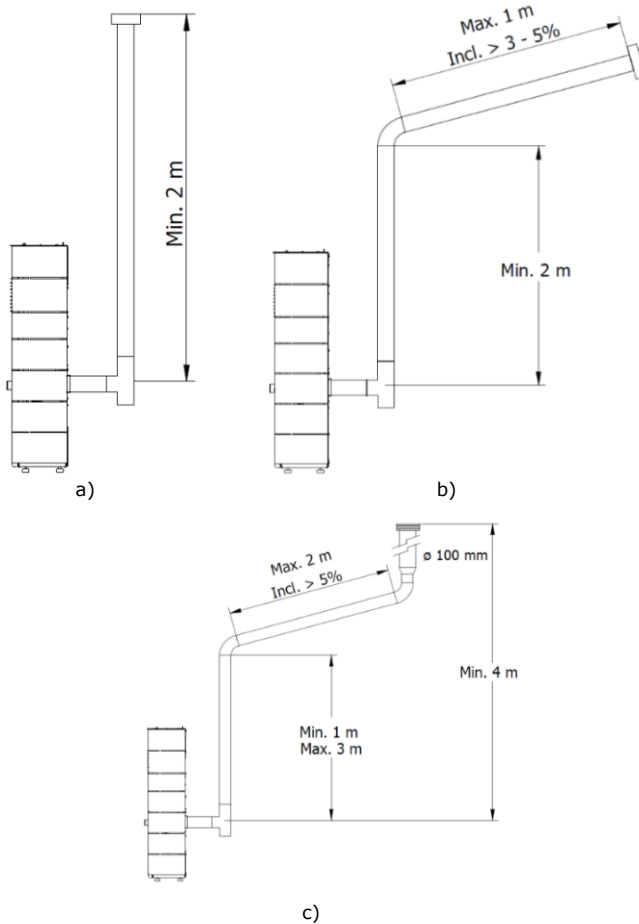


Figure 23 - Examples of standard installations (a, b, c)



The flue should not exceed 6 meters in height with the pipe diameter of 80 mm.

9.5.2. Installing without chimney flue coaxial (models Everest and Everest Round)

Pellet stove installation watertight when there is no chimney and flue pipes if you want to use coaxial system, must comply with the basic requirements, presented in Figure 24 and Figure 25.

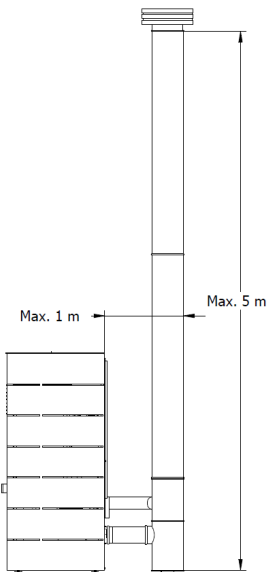


Figure 24 - Example of an installation type A

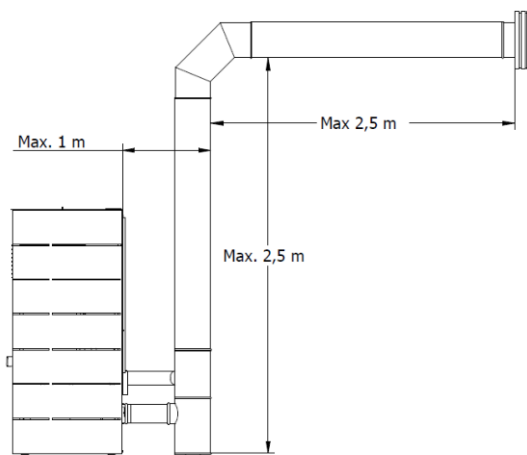


Figure 25 - Example of an installation type B

9.6. Installation with chimney

As shown in Figure 26, the installation of the pellet stove brings the exhaust pipe directly to the chimney. If the chimney is too large is recommended to intubate the smoke outlet with a minimum internal diameter of 80 mm.

To predict on the basis of the pipeline a "T" for the periodic inspections and annual maintenance, as illustrated in the figure below.

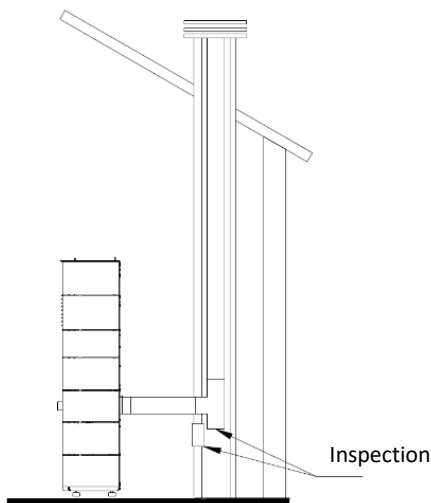





Figure 26 - Side view of fireplace installation, with example of the inspection point


When the weather conditions are adverse to such an extent that cause strong disruption on the flue draught stove (particularly winds too strong), it is advisable not to use the stove.


In case of non-use of the equipment for an extended period, the user must ensure the absence of any blockage in the tubes of the chimney before firing.

 The chimney must be fitted with suitable meeting the anti-wind Hat local regulations in force.

 **Is not allowed** in the use of flexible hose in stainless steel or flat steel tube.

 **Do not place** more than 3 bends in a flue.


 Failure to comply with these requirements undermines the proper functioning of the stove. Fully respect the indications of schemas.

 The stove work with depression combustion chamber, it is absolutely necessary to have a flue that extract the combustion gases.

If the housing has an air extraction system (e.g., kitchen exhaust fan) you will need to have a superior ventilation section, with a size adapted to the different equipment to extract the air from the room.

The installation of the stove in areas where range hoods or hoods, can disrupt the smooth functioning of the stove.

 All the smoke duct must be accessible.

 The chimney or flue gas ducts that are attached the stoves must be cleaned at least once a year (check in the own country there is legislation on this point). The lack of control or regular cleaning increases the likelihood of fire of the fireplace.

Fume duct material: The tubing to be installed must be made of rigid stainless steel with a minimum thickness of 0,5 mm, and should be fitted using joints to connect the different sections and accessories.

Insulation: The fume ducts must be double-walled and insulated to make sure that fumes do not cool down as they are carried outwards, which would cause a condensation and therefore inadequate extraction that might damage the unit.

Output T-tube: Always attach to the unit output a "T-tube" with a damper.

Wind-shield termination: A wind-shield termination must be installed to avoid the backflow of outgoing fumes.

Draught in the chimney: The figures below show three standard diagrams, specifying adequate lengths and diameters. Any other type of installation must guarantee a draught of 12 Pa (0,12 mbars) measured when hot and at the maximum power.

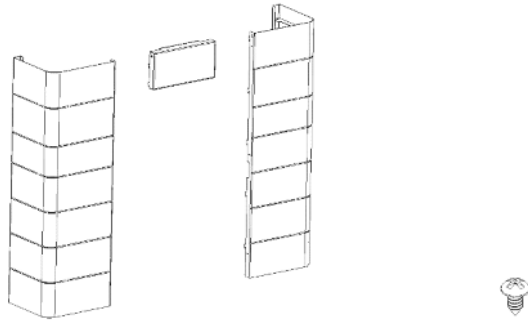
Ventilation: For the unit's optimal operation, the installation room must have an air inlet available with a minimum cross section of **100 cm²**, preferably near the back of the unit. The unit is equipped with a circular pipe (Ø 50 mm) that can be connect to the exterior of the household.

10. Installing the casings

Before installing the casings, you should check if the casing package is complete and in good condition. Any possible damage or missing elements should be reported before proceeding with the installation.

10.1. Installation of cover Nevada

The casing kit must include the following parts:



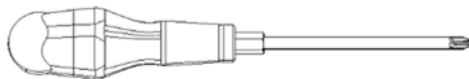
1x Set of casings – default colour

(CA0106000X)

4x Screws A

(CO0704130400719)

To install the casings, the installer must have available:



Star key
Screw PH2

Figure 27 - Required material for the installation of casings with the free-standing fire

IMPORTANT NOTICE: Before installing the casings, it is mandatory that the unit is turned off (unplugged from the power socket).

a) Remove the unit's upper lid. First, remove the small cover that is attached to the back by releasing the Figure 28-a). Then, slide the cover by pulling it up as shown. No tools are required as the cover is spring-attached to the unit (Figure 28-b).

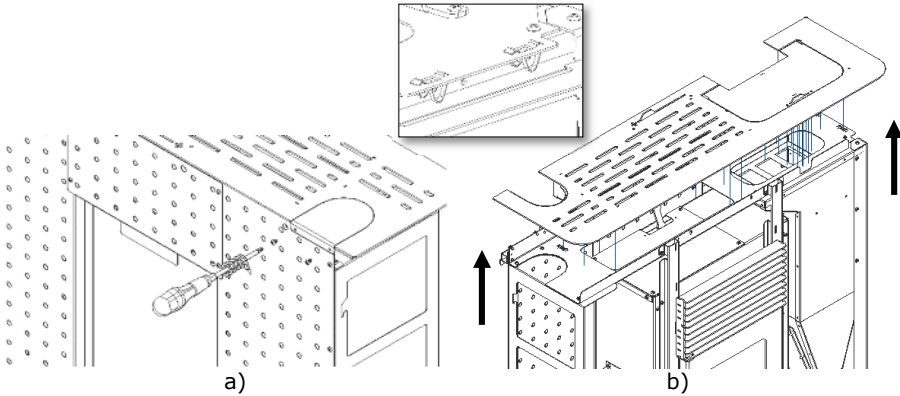


Figure 28 - Removing the upper cover

b) To install the front casings, first insert the couplings into the corresponding grooves on the chassis and then gently slide the casing downwards (1).

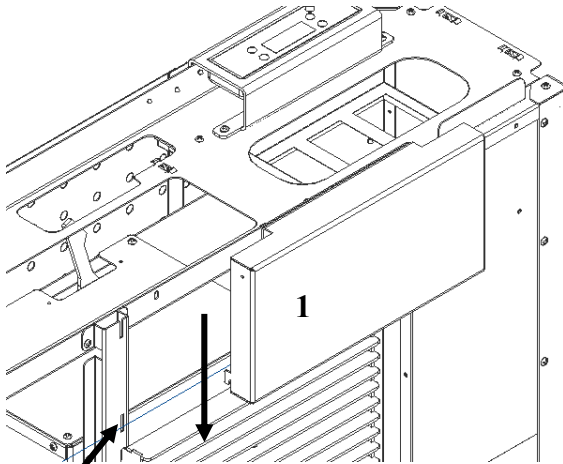


Figure 29 - Attaching the front casings

Warning: insert into the illustrated grooves

c) Secure the front casings to the unit's chassis (use 2 screws).

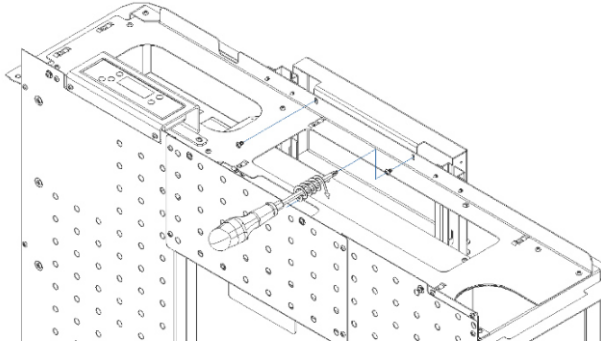
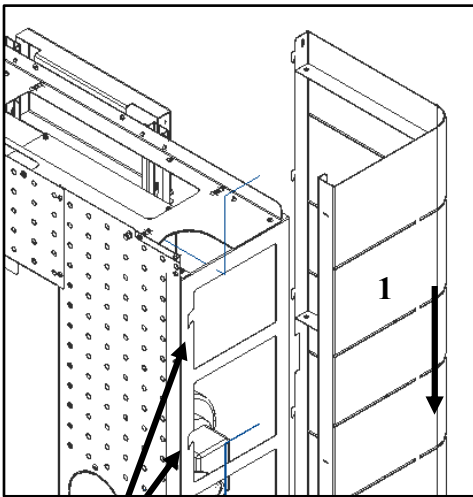


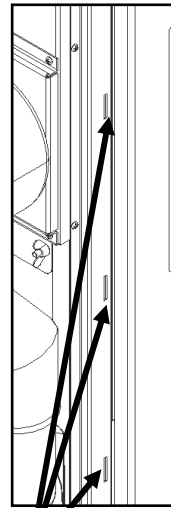
Figure 30 - Securing the front casings

d) To install the side casings, first insert the couplings into the corresponding grooves on the chassis and then gently slide the casing downwards (1).

Warning: the sides are symmetrical.



Warning: insert into the grooves on the side casing



Warning: insert into the grooves available in the front casing

Figure 31 - Attaching the side covers

e) Secure the side covers onto the front casings, as illustrated in the figure (use 2 A screws)

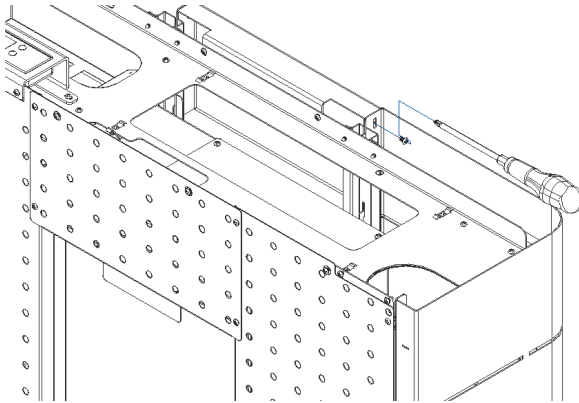


Figure 32 - Securing the side covers

f) Replace the upper cover of the unit by performing the reverse procedure of the steps described under item (a).

IMPORTANT NOTICE: If you're using an auxiliary ventilator, before attaching the upper lid you should check if the ductable air damper is in operation. For an easy installation of the auxiliary ventilator, we recommend that the lower pin of the combustion chamber and the guide in the lid are placed as far to the left as possible (see Figure 33).

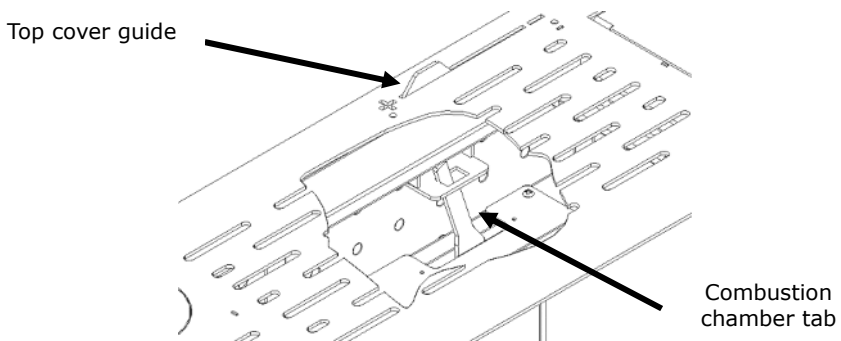
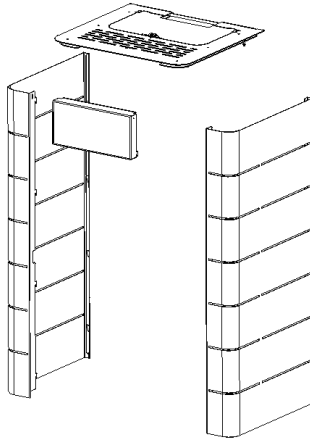


Figure 33 - Attaching the top cover to the ductable air damper

10.2. Installation of cover Everest

The casing kit must include the following parts:

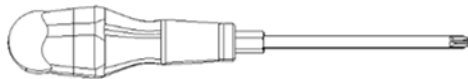


1x Set of casings – default colour



4x Screws A
(CO0704130400719)

To install the casings, the installer must have available:

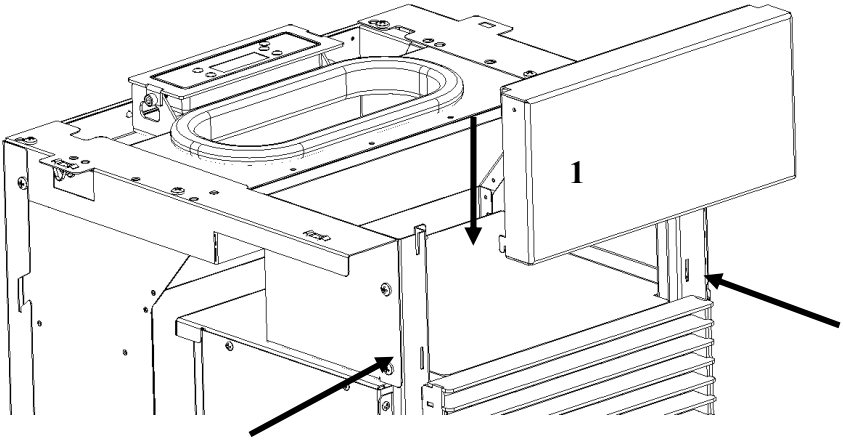


Star key
Screw PH2

Figure 34 - Required material for the installation of casings with the free-standing fire

IMPORTANT NOTICE: Before installing the casings, it is mandatory that the unit is turned off (unplugged from the power socket).

a) To install the front case, first insert the couplings into the corresponding slot on the chassis and then slide the case downwards (1).



Warning: insert into the illustrated slots

Figure 35 - Attaching the front casings

b) Secure the front case to the equipment chassis (use 2 A screws).

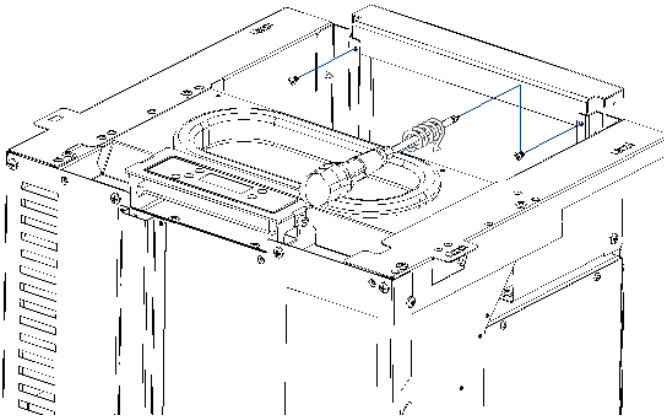
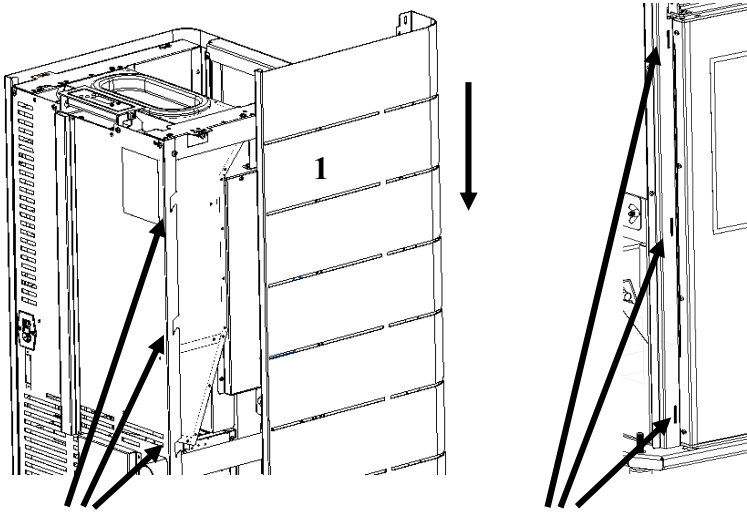


Figure 36 - Fixing the front cases

c) To install the side cases, first insert the couplings into the corresponding slot on the chassis and then slide the casing downwards (1).

Warning: the sides are symmetrical.



Warning: Fit into the slots
slots available in the front chassis

Figure 37 - Installing the side covers

d) Secure the side cases into the front cover, as illustrated in the Figure 38 (use 2 A screws)

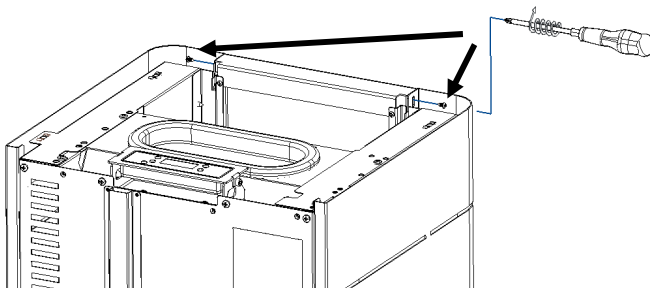


Figure 38 - Installing the side covers

e) To end should place the top cover at the top of the equipment.
To ensure that the cover is properly placed, there are four pins (1) at the bottom which should engage the spring's clips that are in the structure (2).

Important Note: You may need to carry a small force to properly fit the pins in to the clips.

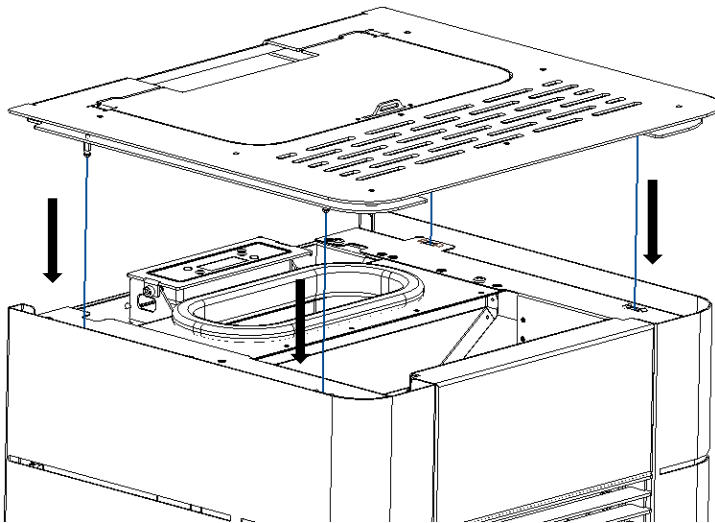
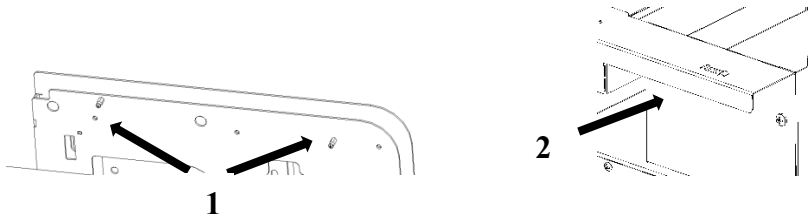
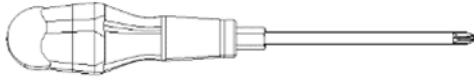


Figure 39 - Installing the top cover

10.3. Installation of cover Everest Round

Before installing the casings, you should check if the casing package is complete and in good condition. Any possible damage or missing elements should be reported before proceeding with the installation.

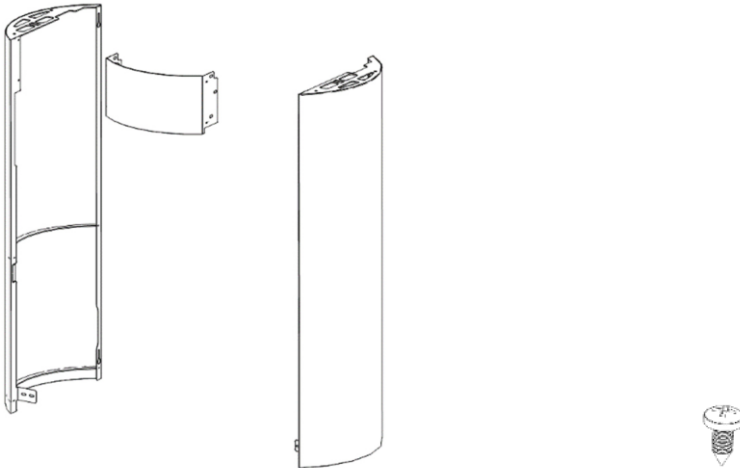
To install the casings, the installer must have available:



Star key
Screw PH3

Figure 40 - Required material for the installation of casings with the free-standing fire

- **Everest Round**



- CA01050150 - Cover Amazon White (K500)
- CA01050151 - Cover Amazon Black (K500)
- CA01050152 - Cover Amazon Bordeaux (K500)

A) - 8x Screws DIN 7981 5,5 x 13

Figure 41 – Amazon cover

a) Remove the top of the equipment by unhooking the pins **(1)** of the springs **(2)** in the structure exerting force in an upward direction.

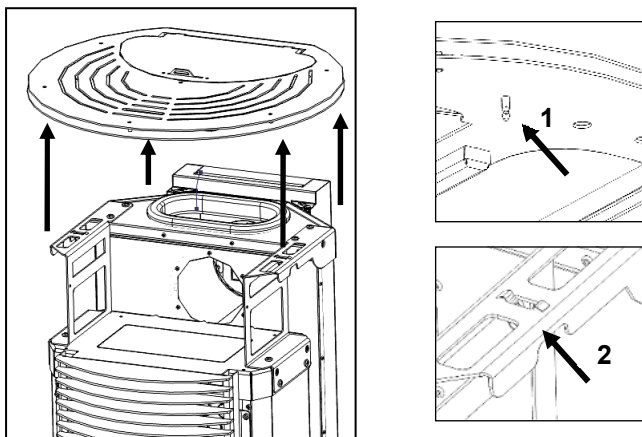


Figure 42 – Removal of the K500 top cover

b) Place the upper front as shown in Figure 43, positioning the flaps of the front part on the inner face of the structure.

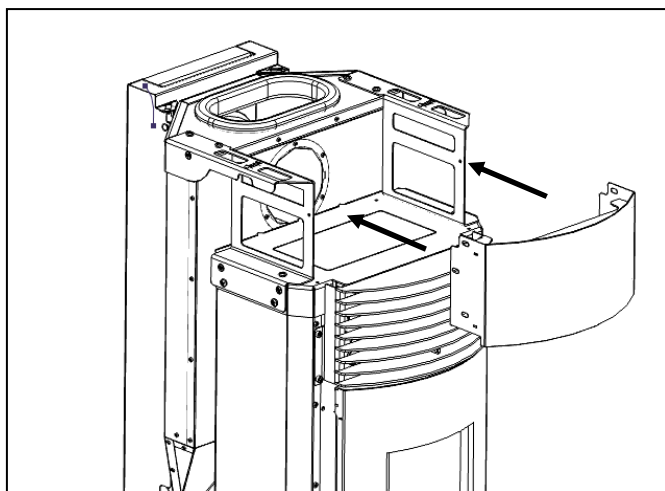


Figure 43 – Fitting the front of the equipment

c) Screw the front onto the frame using the two screws (**A**) that are in the kit (do not screw the front onto the frame until the end, as it may be necessary to make a small adjustment to the cover, see point "j").

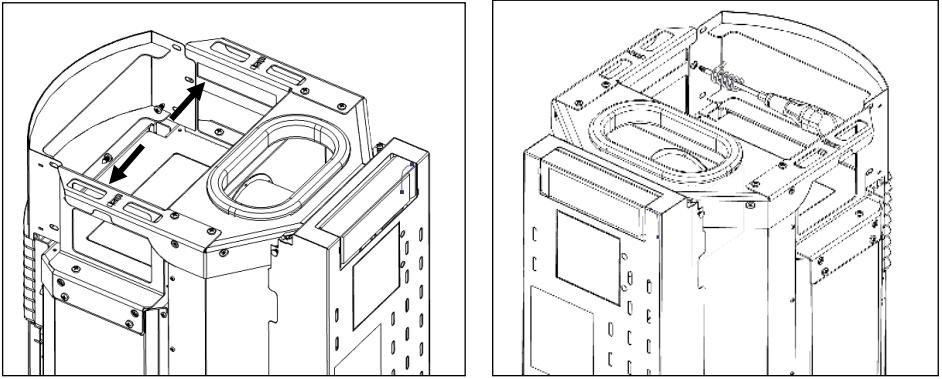


Figure 44 – Fitting the front of the equipment

d) Remove the door from the equipment. You must open the door and through an upward movement remove the door pins (**3**) from the supports in the structure.

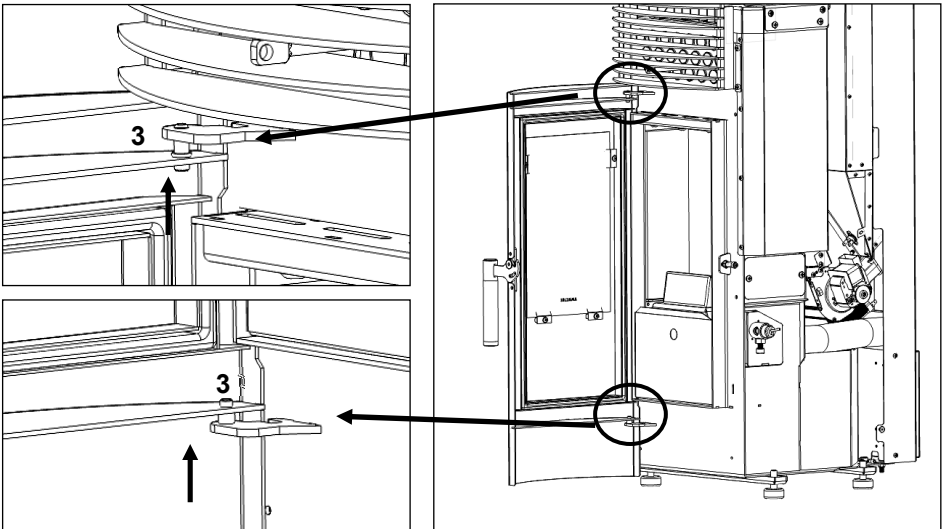


Figure 45 – Removing the door

e) Then to fit the side covers, first fold the tab as shown in Figure 46 to ensure that it is at an angle of less than 90°.

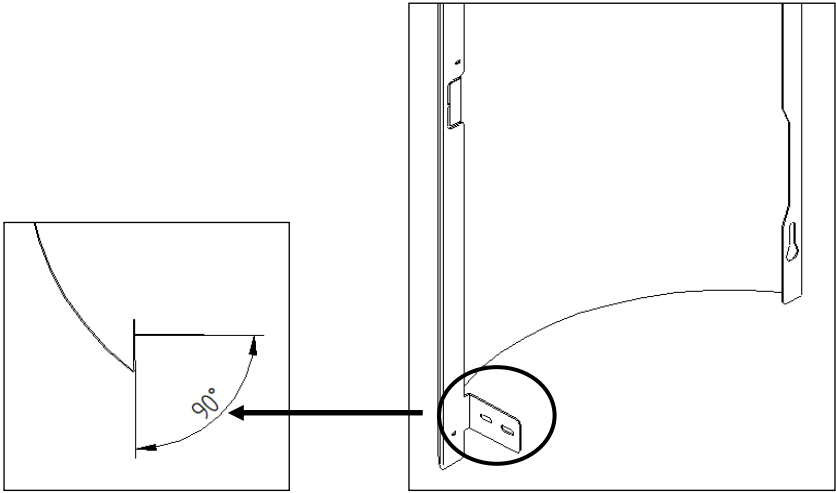


Figure 46 – Angle of the lower tab

f) Insert the tears at the back of the covers **(4)** into the screws **(5)** at the back of the equipment.

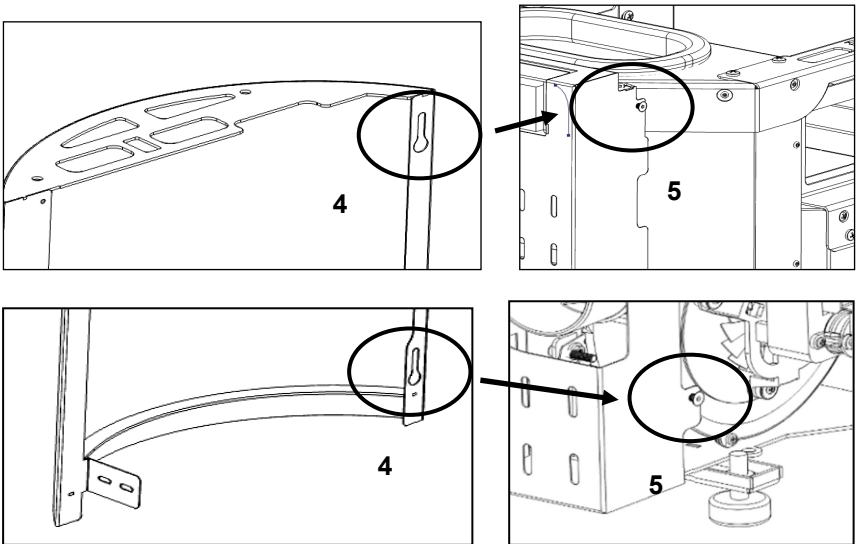


Figure 47 – Fitting the side cover

g) When fitting the covers, you should check that the sideburns at the bottom overlap the combustion chamber **(6)** and the upper parts will support the structure of the equipment **(7)**.

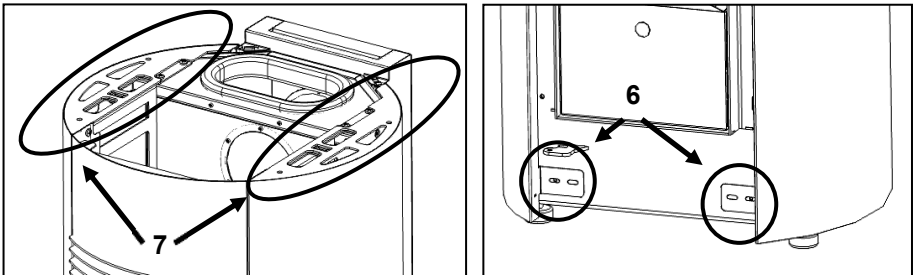


Figure 48 – Fitting the side cover

h) Screw the cover to the front of the finish using the four screws **(A)** in the kit (see point "j").

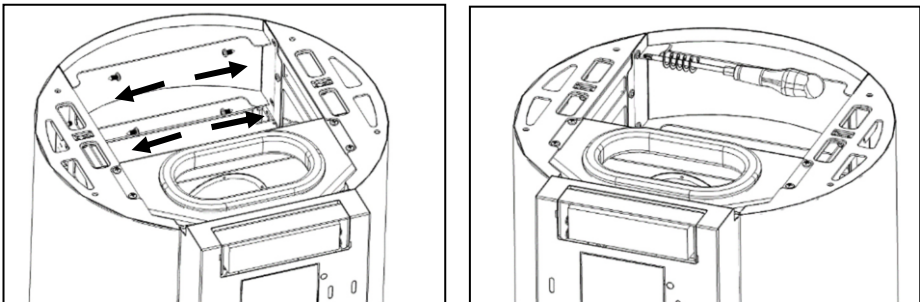


Figure 49 – Attaching the front cover

i) Screw the cover to the front of the equipment using the two screws **(A)** found in the kit (see point "j").

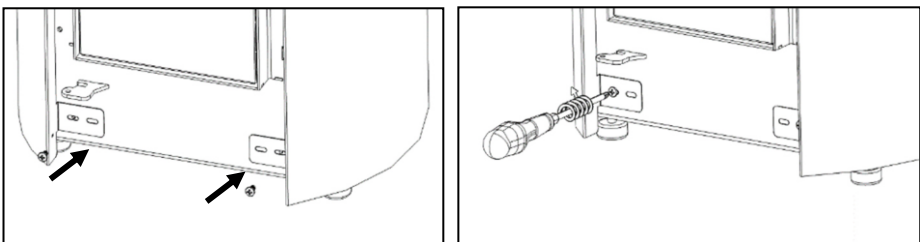


Figure 50 – Attaching the front cover

j) On the side cover and on the front cover there are oblong holes **(8)** that help in the alignment of the covers with the front **(9)** and also in ensuring equal spacing between the covers and the door **(10)**, to complete the assembly place the top in the opposite direction presented in point "A".

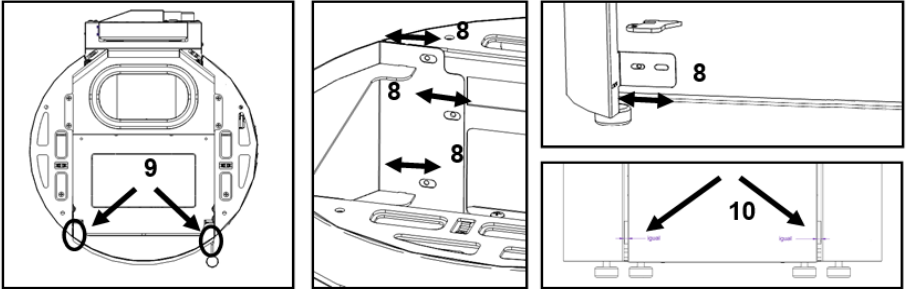
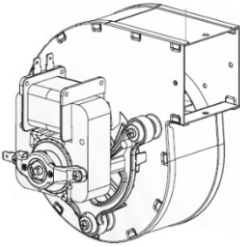


Figure 51 – Tuning the covers in the equipment

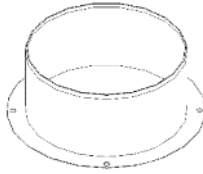
11. Installing the ductable air auxiliary ventilator

11.1. Nevada

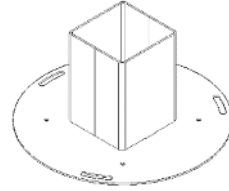
Make sure the auxiliary ventilator kit includes the following components:



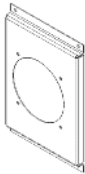
1x ventilator
(CO0308000000000)



1x air outlet duct Ø 100 mm
(CO0503380120601)



1x air guide
(IC0164000260000)



1x ventilator support
(IS0114015260000)



1x earth wire
(IC5150000000001)



1x power cable
(IC5150000000018)



15x screws B
(CO0704132501019)



1x screw C
(CO0704060602019)



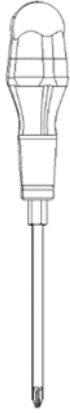
1x nut
(CO0705250600019)



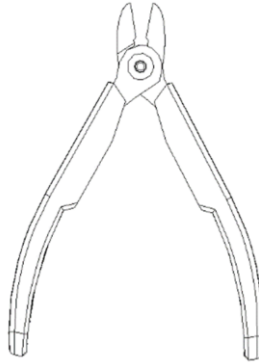
1x washer
(CO0705250600019)

Figure 52 - Material required to install the ventilation kit

To install the ventilator, the installer must have available:



Star shaped
screwdriver PH2



Cutting pliers or
Similar tool



Hex wrench
N° 5

Figure 53 - Accessories for the installation of the ventilator kit

IMPORTANT NOTICE: Before installing the ventilator, it is mandatory that the unit is turned off (unplugged from the power socket).

a) Remove the unit's top cover. First, detach the small lid secured to the back by releasing the two screws (Figure 54-a). Then, slide the lid by pulling it up as shown by the arrows. No tools are required as the lid is spring-attached to the unit (Figure 54-b).

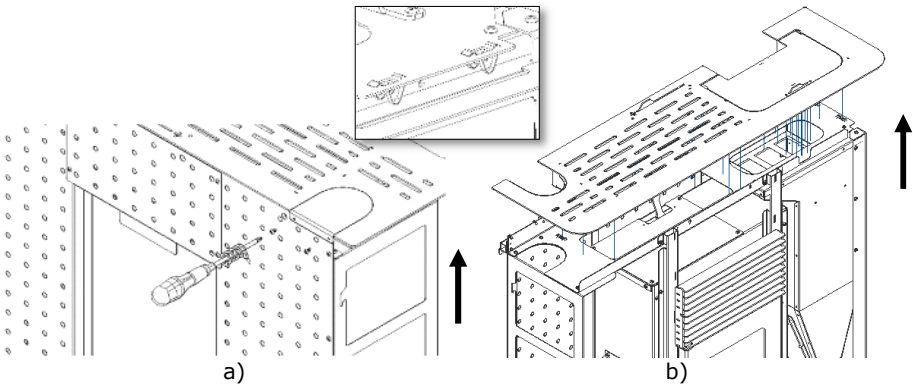


Figure 54 - Removing the top cover

b) Remove the screw that secures the left-side casing to the front casing.

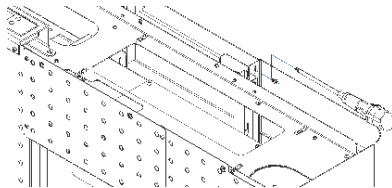


Figure 55 - Removing the screw from the side cover

c) Remove the side cover by sliding the cover up (1) and then pulling it outwards (2) as illustrated.

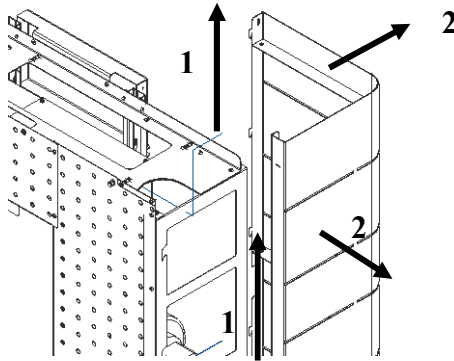


Figure 56 - Removing the side cover

d) Detach the side lid of the combustion chamber by cutting the joints using a pair of cutting pliers, as illustrated, and then remove it.

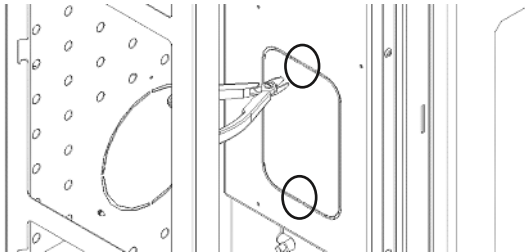


Figure 57 - Removing the side cover

e) Secure the ventilator to the support bracket provided in the ventilation kit (use 4 B screws).

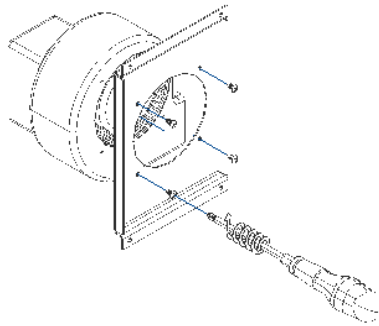


Figure 58 – Fixing the support with the fan

f) Attach the kit to the side of the combustion chamber (using 4 B screws).

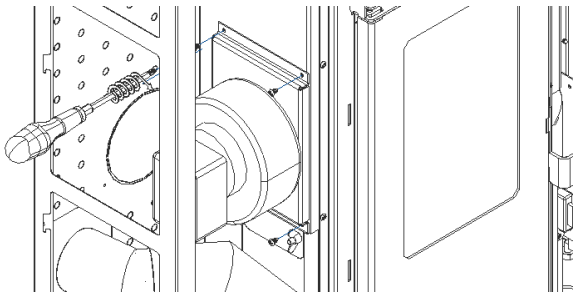


Figure 59 – Attaching the fan to the equipment

g) Remove the rear lid from the unit's chassis, by cutting the identified areas using a pair of pliers.

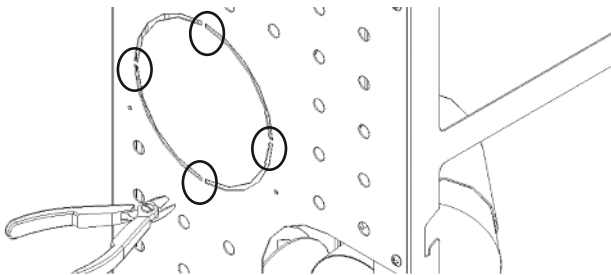


Figure 60 – Removing the back cover

h) Fit the ductable air guide kit into the rear panel of the unit, making sure you insert it into the internal part of the ventilator's air outlet duct (Figure 61-b).

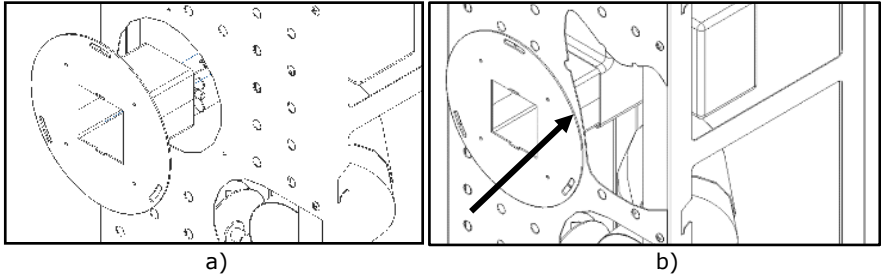


Figure 61 – Fitting the air guide into the stove

i) Secure the kit to the rear of the unit (using 3 B screws).

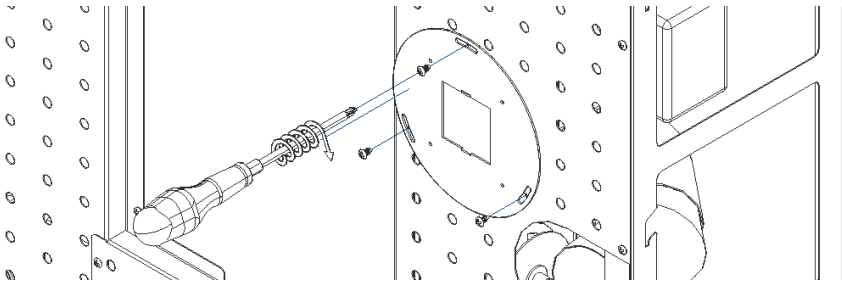


Figure 62 – Fitting the air guide into the stove

j) Screw the air outlet in the ductable air guide (using 4 screws B).

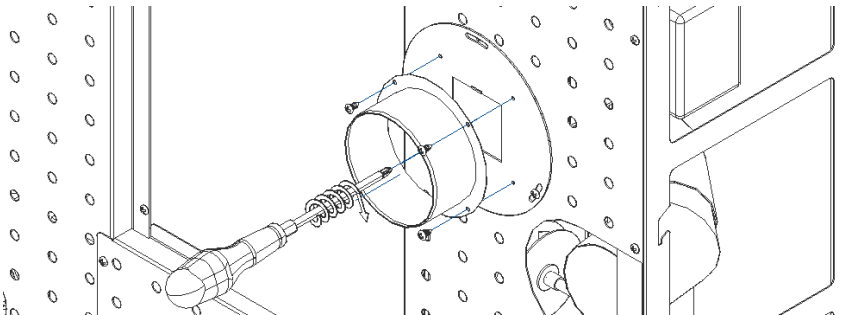


Figure 63 – Fixing the air outlet duct to the stove

11.1.1.1. Electrical connections

k) To perform the electrical connections, first, connect the earthing wire to the unit. In order to do that, you must attach either end of the wire near the hole on the base of the unit. Using the C screw, nut and washer, tighten the cable to the bottom surface, as illustrated in Figure 64-b.

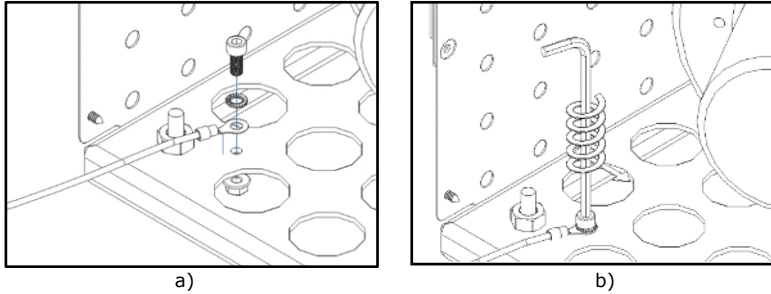


Figure 64 – Connecting the fan earth wire

l) The unit is equipped with a cable attached that allows you to connect the ventilator to the electronic control unit. You need to connect the terminals of the connection cable in the kit to the terminals in that cable (**The attached cable is located near the base of the unit.**)

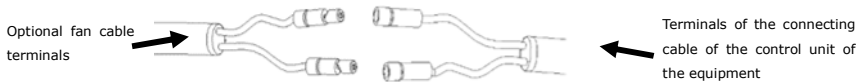


Figure 65 – Connecting the ventilator cable to the unit

m) The attached cables terminals as they connect to the ventilator, as illustrated in the Figure.

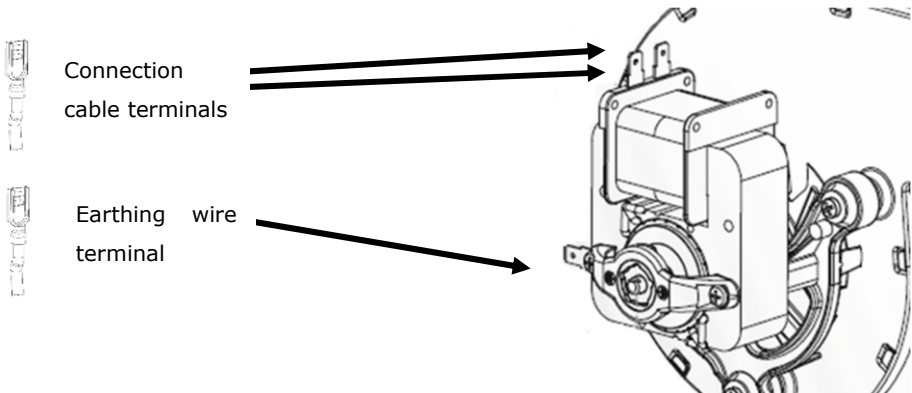


Figure 66 – Connecting the cables to the ventilator

IMPORTANT NOTICE: The cables must not be in contact or in close proximity to very hot surfaces. Please keep them as far as possible.

n) Once the electric connections are completed, and before replacing the side cover, be sure to remove the locking pin of the ductable air damper by releasing the screws that secure it to the combustion chamber, as illustrated in Figure 67.

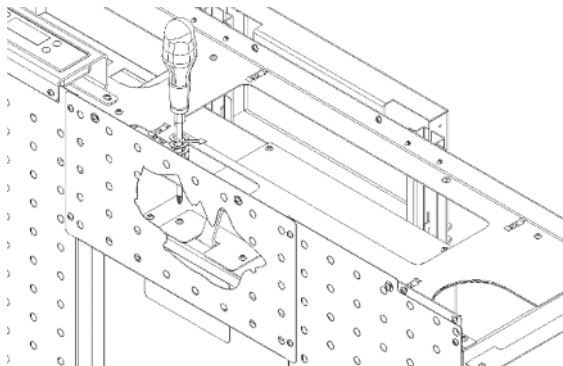


Figure 67 – Removing the blocking top

o) Follow the reverse procedure of the steps described under items a, b and c of this section to reattach the unit's upper lid and cover.

IMPORTANT NOTICE: When attaching the top cover, check if the ductable air damper is in operation, for easier installation, we recommend that the lower pin of the combustion chamber and the guide in the lid are placed on the left side (see Figure 68).

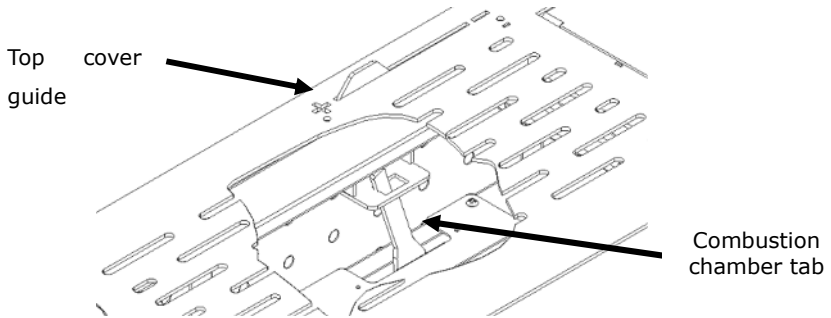
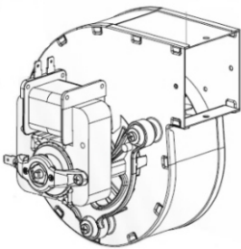


Figure 68 - Attaching the top cover to the ductable air damper

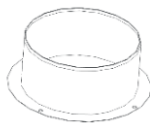
The user can adjust the fan speed according to the desired flow rate for the rooms concerned.

11.2. Everest Round

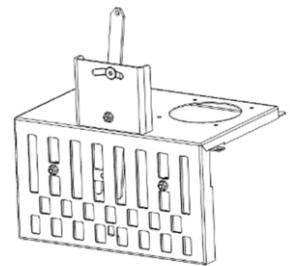
Make sure the auxiliary ventilator kit includes the following components:



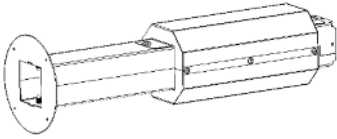
1x ventilator
(CO030800000000)



1x air outlet duct Ø 100 mm
(CO0503380120601)



1x air registry
(IC0427000260000)



1x Ductable air tube
(IC0409000260001)



1x power cable
(IC5150000000052)



8x screws B
(CO0704130401024)



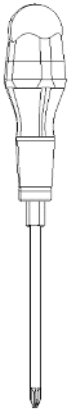
6x screws A
(CO0704130601319)



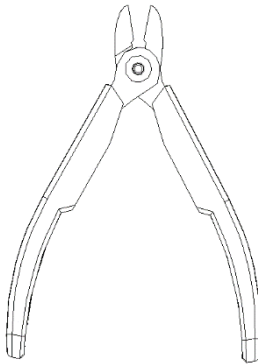
2x Clamps
(CO0702003614023)

Figure 69 – Material required to install the ventilation kit

To install the ventilator, the installer must have available:



Star shaped screwdriver
PH2 and PH3 screw



Cutting pliers or
Similar tool



Hex wrench
Nº 4

Figure 70 – Accessories for the installation of the ventilation kit

IMPORTANT NOTICE: Before installing the ventilator, it is mandatory that the unit is turned off (unplugged from the power socket).

a) Remove the side covers and the front of the equipment. To do so, follow the opposite procedure to that described in point 11.3 of this manual if the covers are already in place. At the same time, you should remove the front grille of the equipment by removing the screws (1) using a PH3 star wrench or Hexagon Socket Key N° 4.

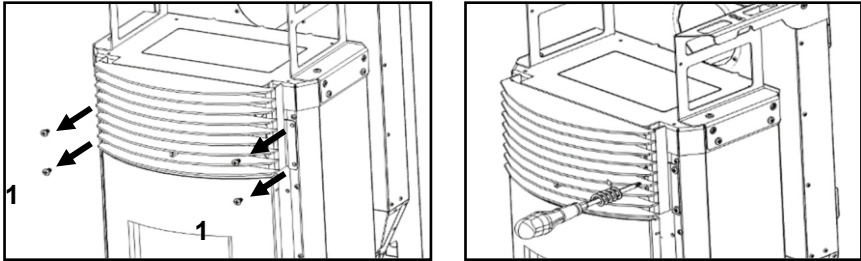


Figure 71 – Removing the front grille

b) Remove the top cover of the combustion chamber with the pliers and cut the cover at the marked locations.

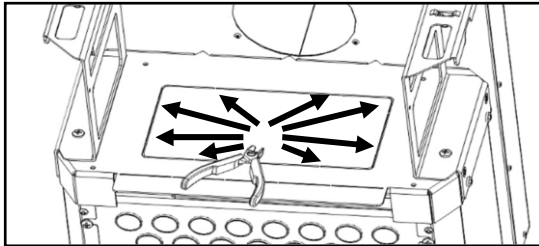


Figure 72 – Removing the top cover

c) Removing the top front flap of the combustion chamber, by simply breaking the existing joints, it may be necessary to use a side cutter.

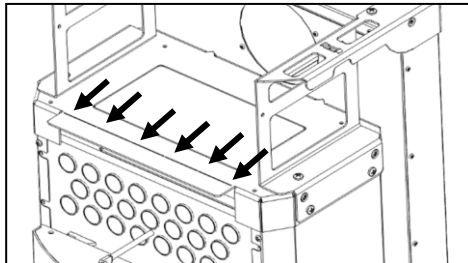


Figure 73 – Removing the front flap

- d) Tighten the fan to the support part in the ventilation kit using 4 screws (**B**).
Important note: Pay attention to the position of the fan in the fan bracket.

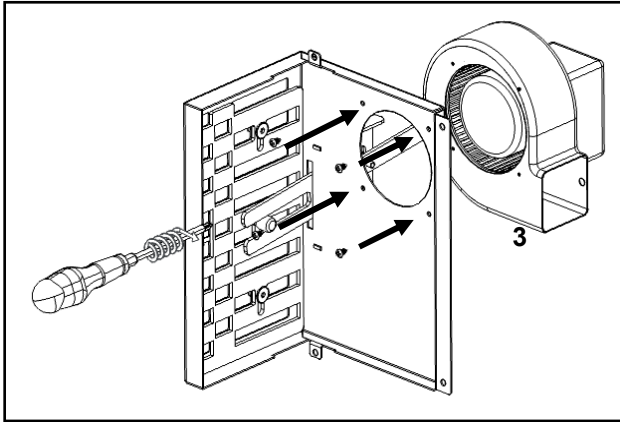


Figure 74 – Fixing the support with the fan

- e) Tighten the assembly of Figure 75 on the upper side of the combustion chamber using 4 screws (**A**) in the prepared holes (2).

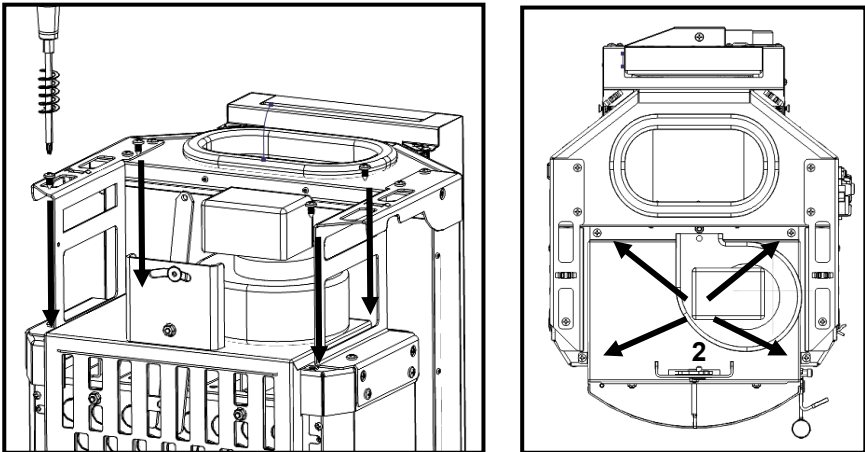


Figure 75 – Attaching the fan to the equipment

- f) On the back of the equipment remove the cover marked in Figure 76 by cutting in the areas marked with a cutter.

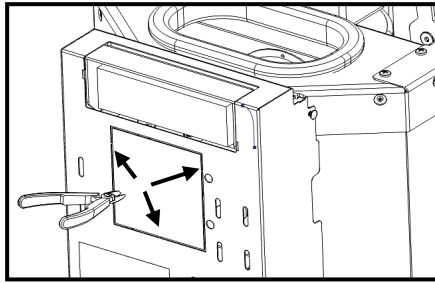


Figure 76 – Removing the back cover

g) Fit the ductable air guide kit into the rear panel of the unit, making sure you insert it into the internal part of the ventilator's air outlet duct (4).

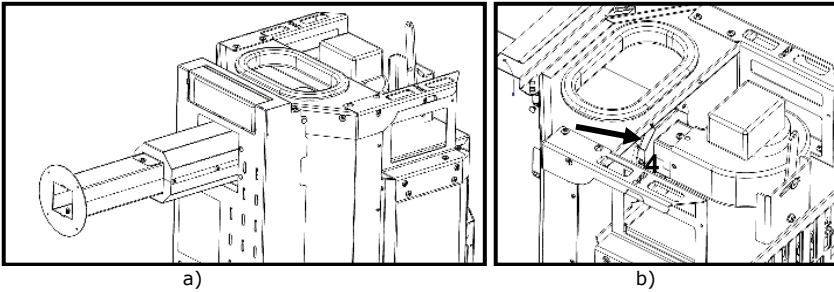


Figure 77 – Fitting the air guide into the stove

h) Tighten the accessory on the fan using 2 screws **(A)**.

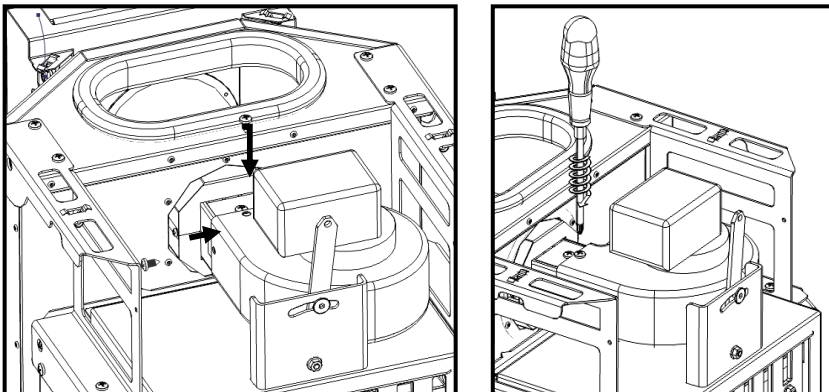


Figure 78 – Fitting the air guide into the stove

i) Tighten the air outlet duct on the ductable air guide using 4 screws **(B)**.

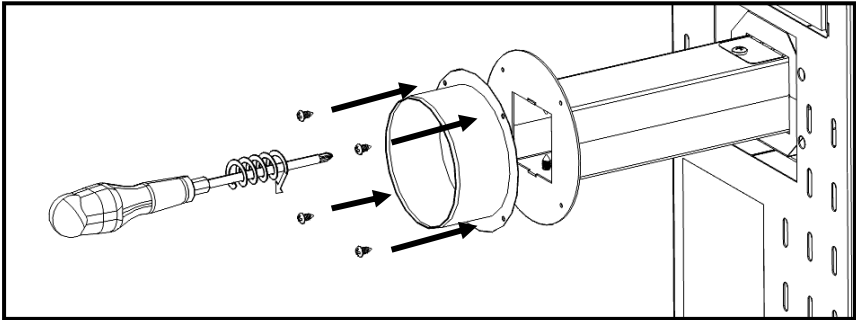


Figure 79 – Fixing the air outlet duct to the stove

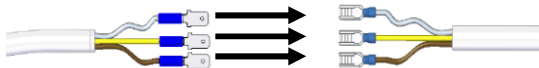
11.2.1. Electrical connections

j) The unit is equipped with a cable attached that allows you to connect the ventilator to the electronic control unit. You need to connect the terminals of the connection cable in the kit to the terminals in that cable.

Important note: The connections must respect the colour system.

(The attached cable is located next to the structure at the top of the equipment).

Optional fan cable terminals



Terminals of the connecting cable of the control unit of the equipment

Figure 80 – Connecting the ventilator cable to the unit

k) The attached cables terminals as they connect to the ventilator, as illustrated in the Figure.

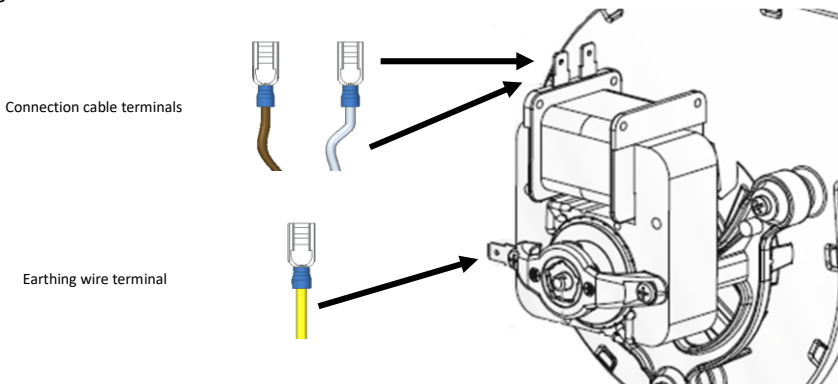


Figure 81 – Connecting the cables to the ventilator

IMPORTANT NOTICE: The cables must not be in contact or in close proximity to very hot surfaces. Please keep them as far as possible (In the kit there are two clamps to keep the cables away from the hot zones).

l) To complete the assembly, you must assemble the front grille by doing the reverse procedure (12.2 a). Then carry out the procedure set out in point 11.3 and reattach the covers.

VERY IMPORTANT: Before fitting the casings, you should check if the ductable air damper is in operation.

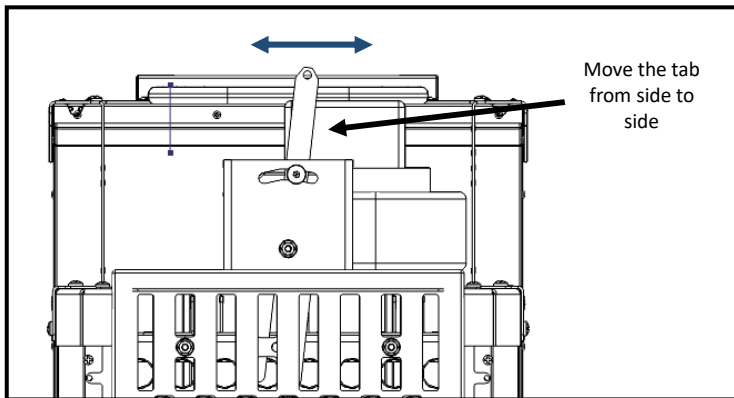


Figure 82 – Check the registry lock

11.2.2. Adjusting the ductable air intake

The user can adjust the size (reduce the size) of the part, if necessary, to do so he must cut the part at the location marked.

a) Dismantle the upper covers on the pipe, carefully removing the pieces, as there is thermal insulation inside and it can be damaged in case of misuse.

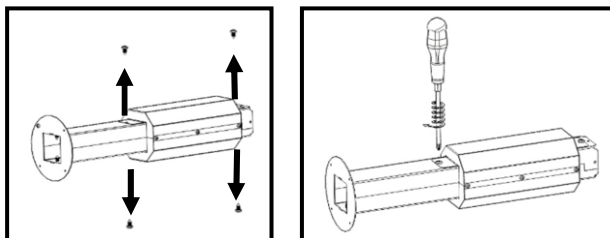


Figure 83 – Dismantling thermal insulation

b) To cut the tube through the marked area, a cutting instrument is required, for example an iron saw, or a grinder with a 1mm cutting disk.

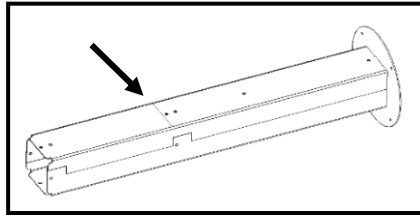


Figure 84 – Cutting zone of the "guide" part of the ductable air

c) Reassemble the covers with insulation in the prepared holes. Install the channel following the instructions of point 12.

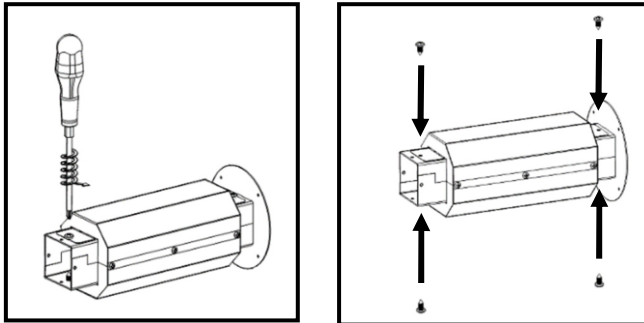


Figure 85 – Reassembling the thermal insulation

12. Recommendations for the installation of the ductable air (Nevada and Everest Round)

It is recommended that the installation of ductable air is carried out by an accredited professional or installer in order to be properly sized.

The maximum length of the pipe is 7 m. The pipe must be resistant to temperatures of at least 200°C.

To take advantage of ventilation using ductable air, this unit must have an optional ventilator installed (**See section 11 of this manual**).

The installation requires a Ø100mm exit, so the unit must be adapted to have this type of exit.

When installing the optional ventilator, check if the ductable air damper is in operation (see Figure 86 and Figure 87).

While the unit is in operation, the user has the option to choose to extract "+" or "-" ductable air into the room where the unit is installed or into a room where the ductable air is directed to, by switching the damper's position.

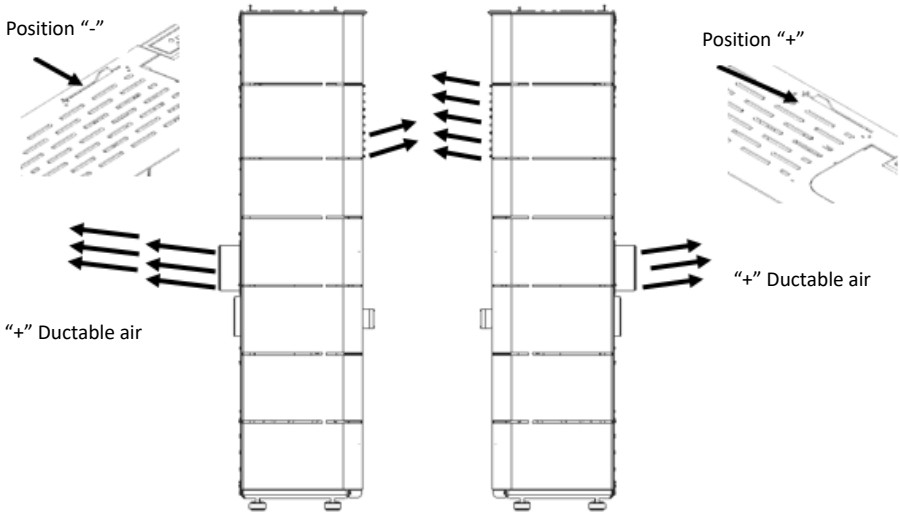


Figure 86 – Adjusting the ductable air damper to " + " or " - "

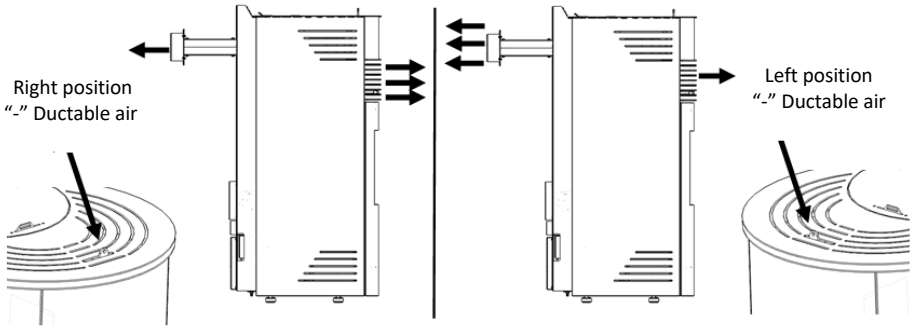


Figure 87 – Adjusting the ductable air damper to “+” or “-”

The user can adjust the fan speed according to the desired flow rate for the rooms concerned.

13. Installing the Wall mounting kit (optional Nevada)

Before installing the wall-mounting kit, you should check if the kit package is complete and in good condition. Any possible damage or missing elements should be reported before proceeding with the installation.

The wall-mounting kit must include the following parts:

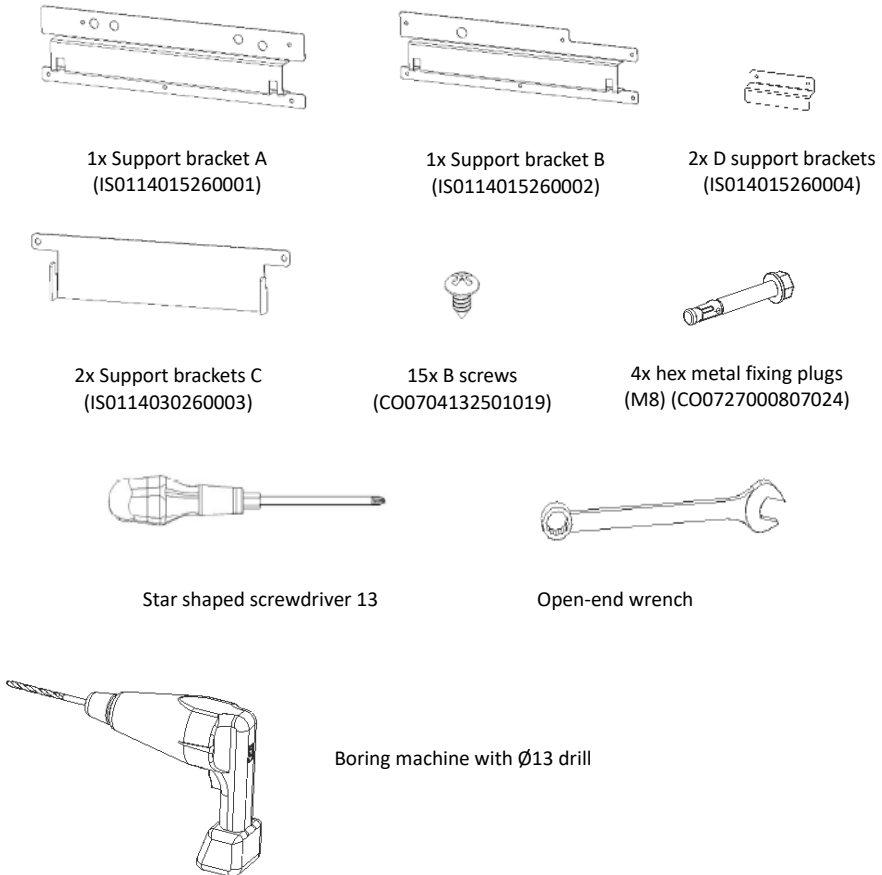


Figure 88 – Material required to install the wall-mounting kit

IMPORTANT: Before installing the wall-mounting kit, it is mandatory that the unit is turned off (unplugged from the power socket).

a) Secure the support A and B to the unit using 11 A screws, as illustrated in Figure 89 (please pay attention to the position of the support brackets).

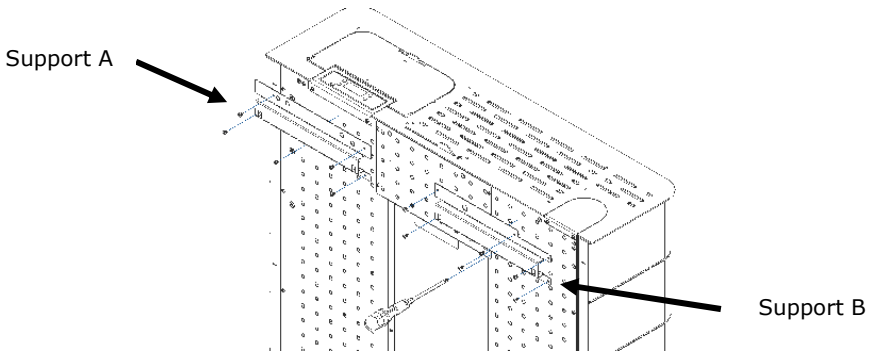


Figure 89 – Fixing the supports A and B

b) Secure the support D to the unit; please pay attention to the positioning of the part, see figure (use 4 B screws).

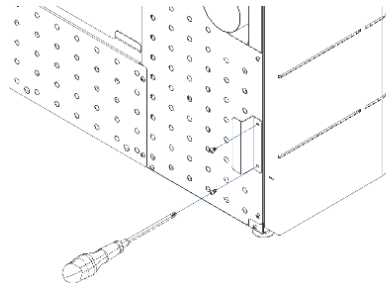


Figure 90 – Fixing the supports D

c) Secure the support C to the wall, using the fixing plugs provided with the kit. The holes drilled on the wall must be suitable for the existing plug type (13 mm hole). When placing the support brackets, you must ensure that they are **LEVELLED AND COMPLY WITH THE SPOT HEIGHTS BELOW.** An incorrect placement may cause the unit to malfunction.

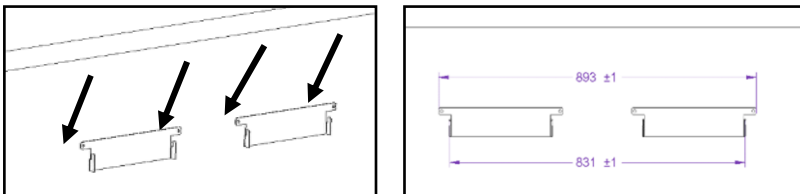


Figure 91 – Fixing the support C and dimensions to be respected

d) After completing the previous steps, you must attach the unit to the rails secured to the wall and check if the inserts on each of the rails fit into the corresponding holes, as illustrated in the figure below.

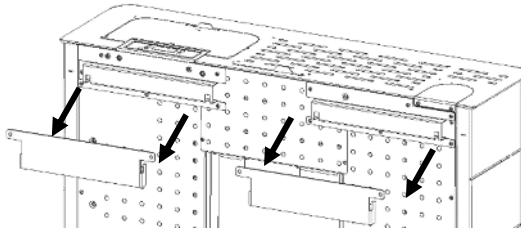


Figure 92 – Placing the equipment on the fixed supports on the wall

Important note: It may be necessary to replace the wall plugs with different plugs, depending on the condition of the wall to which they are to be secured.

14. Fuel

The pellets stove unit must be operated exclusively with pellets. No other fuel is allowed to be used. Only use pellets certified by standard **EN 14961-2 grade A1** with a **Ø of 6mm** and **10-30mm** in length.

The pellets may have a maximum humidity of 8% their weight. To guarantee a good combustion, the pellets must maintain these characteristics so it is recommended that they should be stored in a dry place.

The use of different pellets will reduce the efficiency of the unit and cause deficient combustion.

You should always use certified pellets and must not forget to test a sample before buying large bulks.


The physical/chemical properties of the pellets (calibre, friction, density and chemical composition) may vary within specific tolerances and according to each manufacturer. Please note that this may cause changes to the feeding process and, consequently, the need for different doses (more or less pellet quantity).

The unit allows you to adjust $\pm 25\%$ the pellet dosage at the start-up phase and at each power level (please see section 16.1.5 of this manual – temporary and power activations).



WARNING: The stove must NOT be used as an incinerator.

15. Using the pellet stove

 The pellet stoves must be serviced as described in point 3.6, page 139 (Warranty). In order to adjust the operating parameters of the stove (pellet stove), the dosing must be adjusted as described in point 14 of this manual. The pellet dose must be adjusted according to the gas temperature and pellet consumption of the appliance at the rated power described in Table 2, page 8, to ensure that the appliance delivers the correct power.

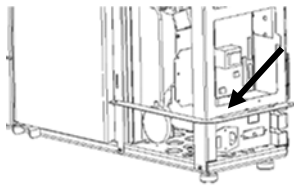
Recommendations:

Before starting up the unit, please check the following:

- Connect the power cord 230VAC power supply outlet with Earth. The electrical plug is on the right side of the equipment under the side cover in the case of Nevada gear (Figure 93-b) and the rear gear Everest (Figure 93-c).



a)



b)



c)

Figure 93 – Electric plug and correct connection

- Check to see whether the pellet reservoir is supplied with pellets. Inside the pellet reservoir is a safety grid to prevent users from reaching the worm screw.
- Please make sure the room where the equipment is installed has adequate air circulation; otherwise, the unit will not work properly. Therefore, you should also check whether the room is equipped with other air-consuming heating appliances (e.g., gas units, fire pits, extractors, etc.); these should not be used simultaneously with this free-standing unit.
- This pellet stove has a probe for measuring the room temperature. This probe is attached to the grid at the rear panel (Figure 94). For a good reading of the room

temperature, avoid contact between the end of the probe and the unit chassis. You may also attach the probe to the wall beside the unit.



Figure 94 – Room temperature sensor probe

- The combustion chamber of the stove and the doors are constructed in iron plate painted with high temperature paint, releasing fumes in the first burn due to cure the paint.
- Avoid touching the equipment during the first so as not to leave permanent marks on the paint as it passes through a phase more plastic during the healing process. The ink curing occurs approximately 300 °C for 30 minutes.

16. Display

The display allows you to interact and set some options relevant to the correct operation of the unit.

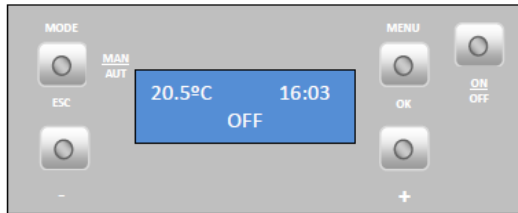


Figure 95 – Design of the unit display



a) Key to toggle between manual and automatic mode and exit menus (esc).



b) Key to access menus and confirmation key (ok).



c) Key to start/stop the unit and reset error messages.



d) Key to scroll menus to the left, to increase and reduce the fan flow and increase or reduce the set-point temperature.



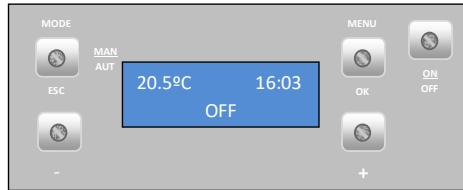
e) Key to scroll menus to the right and increasing and to reduce the unit's power.

Figure 96 – Command keys

16.1. Display Information Summary

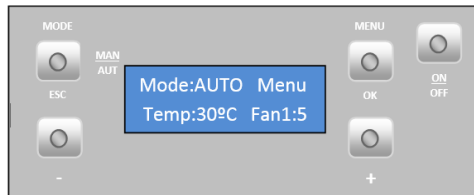
16.1.1. Menu

Menu showing that the unit power is "off", the room temperature in °C and Time.

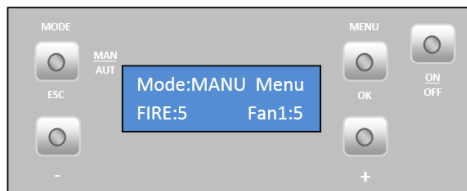


Selecting the operating mode: To select the operating mode, press the "Mode" key to select "Manu" for manual mode or "Auto" for automatic mode.

"Auto" mode: In this mode, the unit is turned on at maximum power until reaching a temperature 1°C above the selected temperature (set point temperature). After reaching the selected temperature, the unit switches to the minimum operating power. The set-point temperature can be set between 5 and 40°C by pressing the "-" key.

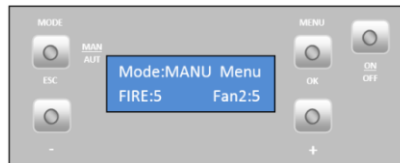


"Manu" mode: In this mode, the unit will operate at the speed selected using the "-" key, ranging between 1 (minimum operating power) and 5 (maximum operating power).



FAN 1 (built-in fan): In both AUTO and MANU modes it is possible to vary the fan speed by pressing the "+" button for 3 seconds. You can choose values from 1 to 5 and "A" where the value 1 corresponds to the lower speed and the value 5 to the higher speed of the fan, it is **RECOMMENDED** to use the value **"A" means automatic value**, this value was adjusted and tested by Solzaima for all power levels used in the equipment.

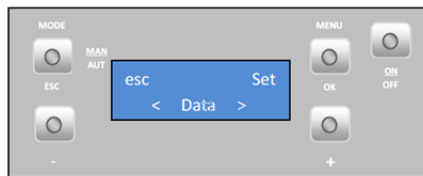
FAN 2 (optional auxiliary fan Nevada): On the auxiliary fan, the speed can also be set. To do this, press the "+" key until FAN 2 appears, repeat the process performed for fan 1, adjusting its speed increase.



Very important: For **SAFETY** reasons there is only the possibility to switch off the fan "FAN 2", for this in the fan should appear 0.

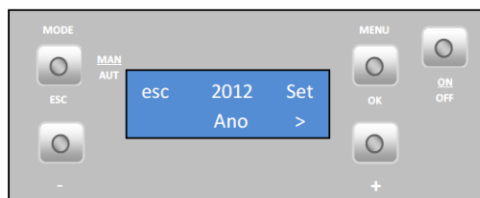
16.1.2. Date / Time

Setting the date: press the Menu key twice until "Data" (Date) is displayed. Press "set" to see the following menu:



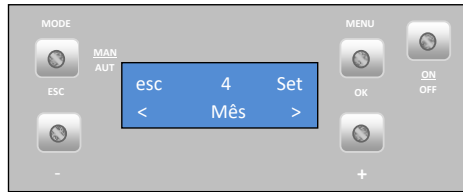
- **Year**

To set the year press "set". The display starts to flash. Press the "+" or "-" key to select the desired year and then "ok" to confirm. Press "esc" to return to the "Data" (Date) menu, then press "+" to scroll to the next menu. The "Mês" (Month) menu is displayed.



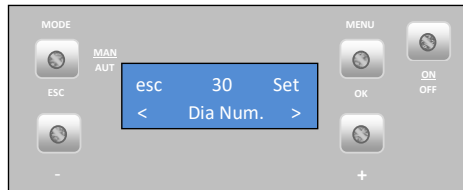
- **Month**

To set the **Month** press "set". The display starts to flash. Press the "+" or "-" key to select the desired month and then "ok" to confirm. Press the "+" key to scroll to "Dia do mês" (Day of the month) menu.



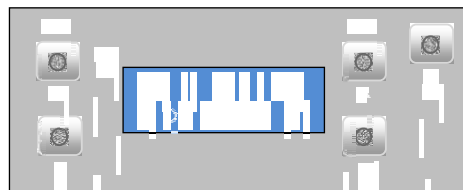
- **Day of the month**

To set the **day of the month** press "set"; the display starts to flash. Press the "+" or "-" key to select the desired day and then press "ok" to confirm. Press the "+" key to scroll to the "Dia" (Day) menu.



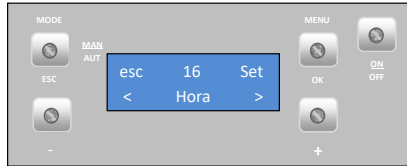
- **Day**

To set the day of the week press "set". The display starts to flash. Press the "+" or "-" key to select the desired day and then "ok" to confirm. Press the "+" key to scroll to the "Time" (Hour) menu.



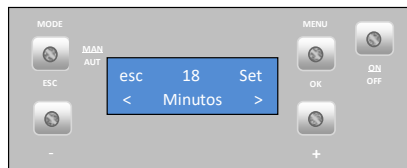
- **Time**

To set the **time** press "set"; the display starts to flash. Press the "+" or "-" key to select the desired time and then press "ok" to confirm. Press the "+" key to go to the "Minutos" (Minutes) menu.



- **Minutes**

To set the **minutes** press "set". The display starts to flash. Press the "+" or "-" key to select the desired minutes and then "ok" to confirm. Press the "Esc" key to exit.

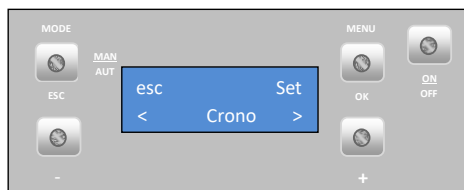


16.1.3. Timer

The unit is equipped with a timer that allows the unit to be turned on or off at a specified time.

- **Activation**

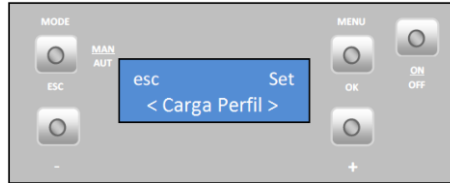
To **enable the timer** press "set". The "habilitação" (activation) menu is displayed. The timer may only be activated after setting the configurations, as shown in the following paragraph.



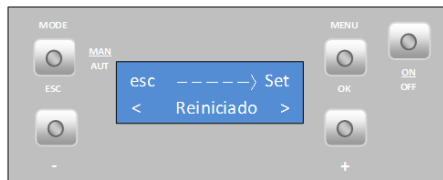
The programs can be defined in two different ways, either by the "Carga Perfil" (profile load) menu or by the daily programmer P1 to P6 (**only one option can be active, they do not work simultaneously**).

Press the "+" key to move to the "Load Profile" menu.

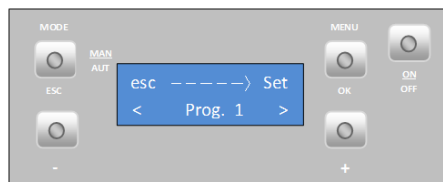
There are 10 weekly programmes available on the Timer (see item 28). The selected programme runs from Monday to Friday and from Saturday to Sunday. Press "set"; the display starts to flash. Press the "+" or "-" key to select the desired programme and then press "ok" to confirm. Press the "+" key to go to menu "Reiniciado" (Reset).



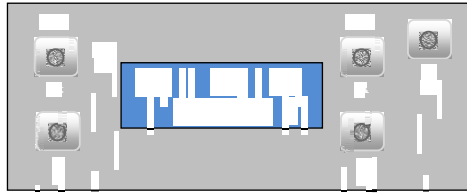
This menu allows you to delete *any* programme settings. To do this, press "set". The "Confirmar?" (Confirm?) prompt appears. Press "set" again to confirm that you want to delete the settings or "esc" to exit.



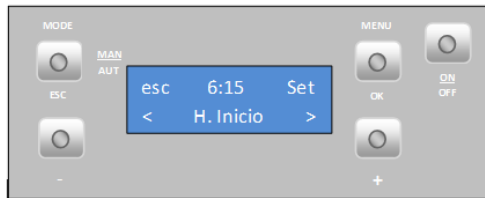
The unit's **programmer** lets you choose from 6 different programmes for each day of the week.



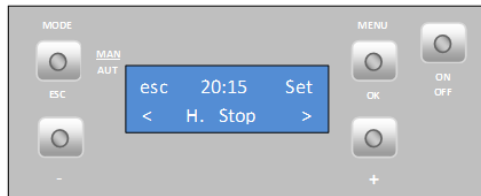
To set up programmes "P1" to "P6", select the desired programme using the "-" and "+" keys, and press "set" to select. The "P1 Habilitação" (P1 Activation) menu appears. Press "Set" again and when the display starts to flash, press the "+" or "-" keys to select "On" or "Off". Press "ok" to confirm the selection. Press the "+" key to go to the "P1 A. Inicio" (P1 A. Start) menu.



To set the **starting time** for Programme P1, press "set". The display starts to flash. Press the "+" or "-" key to select the time and then press "ok" to confirm. Press the "+" key to go to the "P1 A. Stop" menu.

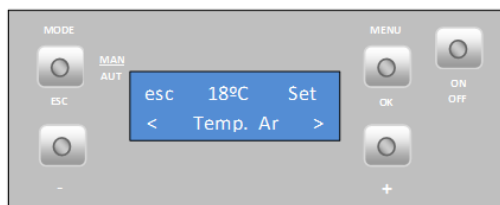


To set the **stopping time** for Programme P1, press "set". The display starts to flash. Press the "+" or "-" key to select the time and then press "ok" to confirm. Press the "+" key to go to the "P1 Temp." (P1 Air Temp.) menu.



Important: Each program can **only** be set up within the **same** day.

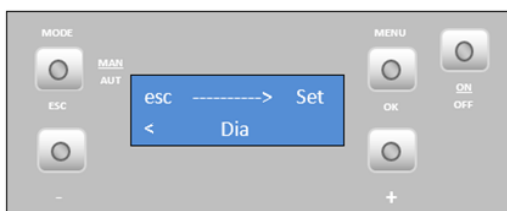
To set the **set point temperature** for Programme P1, press "Set". The display starts to flash. Press the "+" or "-" key to select the desired temperature, followed by "OK" to confirm. Press the "+" key to go to the "P1 Temp. Água" (P1 Water Temp.) menu.



To set the **operating power level** (1 to 5) of Programme P1, press "Set". The display starts to flash. Press the "+" or "-" key to select the desired power level (1 to 5), and then "Ok" to confirm. Press the "+" key to go to the "P1 Dia" (P1 Day) menu.



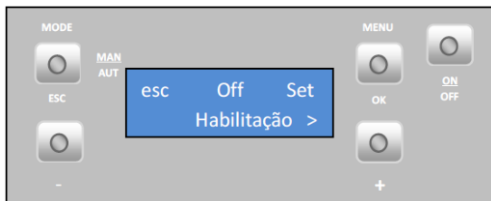
To select the **days of the week** that you want P1 Programme to run, press "set" and then select the day of the week using the "-" and "+" keys. Press "set". The display starts to flash. Select "On" or "Off" using the "-" and "+" keys. Press "ok" to confirm the selection. Press the "esc" key to go to the "P1 Dia" (P1 Day) menu. Press "esc" twice and then "+" to access the "Configurações" (Configuration) menu.



Repeat the above steps for programmes P2 to P6.

To **activate the Chrono mode**, press "esc" once and then "-" until you reach the "Enable" menu, press the "set" key and it starts flashing, press the "+" or "-" key to select "On" or "Off", press "ok" to confirm your choice.

Press the "esc" key once and then the "+" key once to move to the "Sleep" menu.

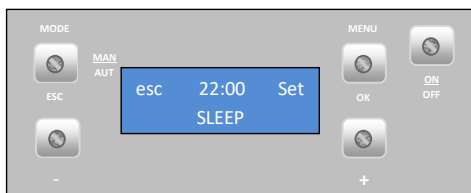


Note:

- Once the programmes are set, remember to enable them on the "Habitações" (Activation) menu.
- There can only be one enabled profile in the Timer, either weekly or daily (they do not operate simultaneously).

16.1.4. Sleep (this menu is displayed only while the unit is operating)

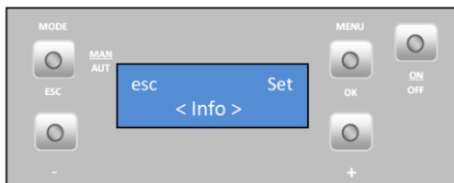
The "Sleep" menu allows you to setup the time you want the unit to turn off.



Press "set". The display starts to flash. Select the desired time using the "-" and "+" keys. After choosing the time, press "ok" to confirm. Press "esc" to return to the menu and "+" to go to the configuration menu.

16.1.5. Info

This menu contains information on the Free-Standing Fire unit.

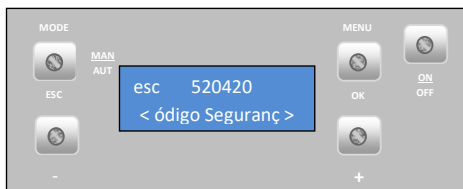


Press "set" the "Código de Ficha" (File Code) menu appears.

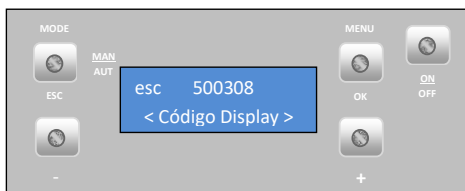
Software code / Motherboard firmware. Press the "+" key to scroll to the "Código de Segurança" (Security Code) menu.



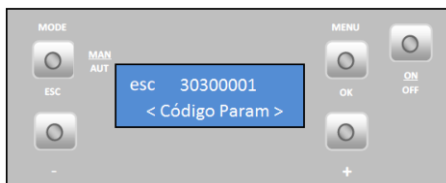
Software code / Security firmware. Press the "+" key to scroll to the "Código Display" (Display Code) menu.



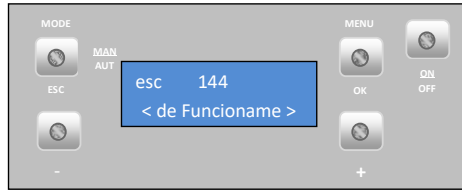
Software code / Display firmware. Press the "+" key to scroll to the "Código de Parâmetros" (Parameter Code) menu.



Parameter code. Press the "+" key to scroll to the "Horas de Trabalho" (Operation hours) menu.

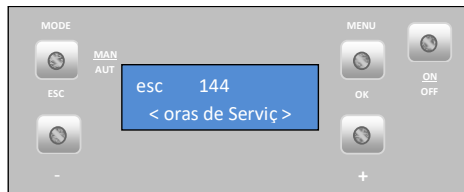


This menu shows the unit's current operating hours.



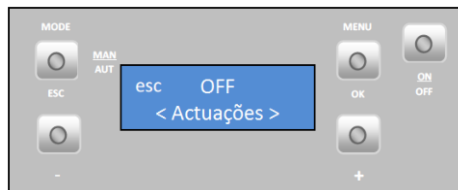
This menu shows the number of operating hours the unit has registered since its last servicing.

The number of hours at which the next servicing should take place.

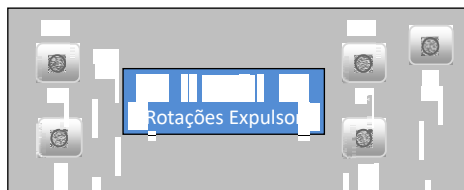


Very important: When the machine is close to service hours it is recommended to call an accredited technician to perform its maintenance.

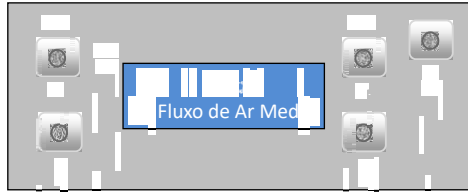
This menu shows the phase/status of the free-standing fire.



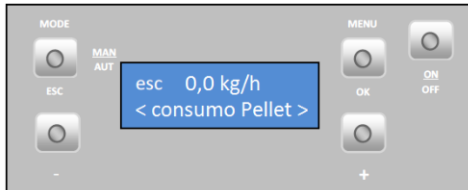
Fume extractor operating speed (rotation per minute).



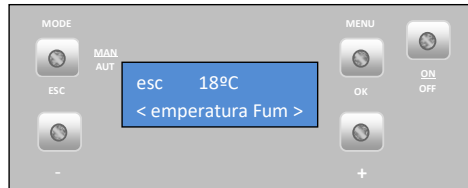
Air flow measured in liters per minute. **(Only applied in Nevada)**



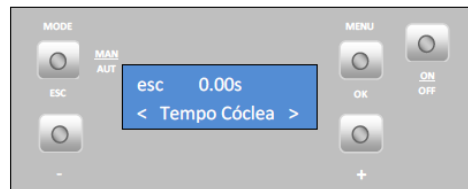
Theoretical pellet consumption.



Fume temperature.



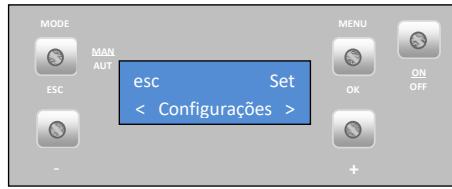
Worm drive rotation "On" time.



Press the "esc" key once and then "+" to go to the "settings" menu.

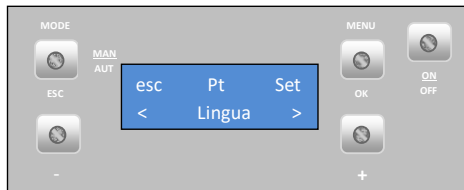
16.1.6. Settings Menu

To modify the unit's **settings**, press "Set". The "Língua" (Language) menu should then appear, allowing the user to choose a set language.



- **Language**

To select the **language**, press "set". Using the "+" or "-" keys, select the language (**Pt** – Portuguese; **Nl** – Dutch; **Gr** – Greek; **Tr** – Turkish; **It** – Italian; **En** – English; **Fr** – French; **Es** – Spanish; **De** – German). Press "ok" to confirm. Press the "+" key scroll goes to the "Eco" menu.



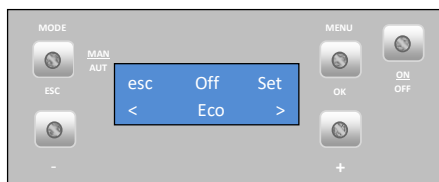
- **Eco mode**

When the "ECO" mode is enabled at the same time as the Thermostat feature, the unit will operate at maximum power until the thermostat opens contact (NO). The unit then will operate at minimum power for a pre-set period of time (Shutdown delay time: factory setting: 20 minutes). Once the pre-set time is elapsed, the unit shuts down. At the start of the Shutdown phase, another timer for a different pre-set period of time is triggered (Start-up delay time: factory setting: 20 minutes), that will make the unit enter the activation phase, when the thermostat closes contact (NC)

Start-up delay time (Delay time On): The delay time that elapses between the moment the thermostat closes (NC) until the unit is activated.

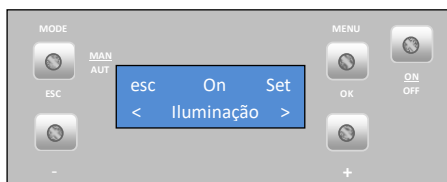
Shutdown delay time (Delay time Off): The delay time that elapses between the moment the thermostat opens (OC) until the unit starts to shut down.

Note: When using the feature for the first time, you must press the On/Off button in the display. To enable the eco mode, press "set". The display starts to flash. To activate the eco mode, press "set". The display starts to flash. Select "On" or "Off" using the "-" and "+" keys. Press "set" to confirm the selection. Press "esc" to return to the previous menu and then press "+" to go to the "Iluminação" (Lighting) menu



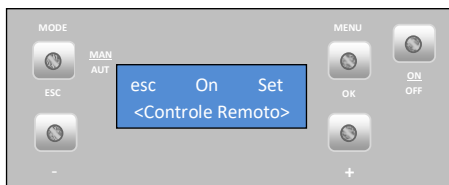
- **Lighting**

To select lit screen, press "set". The display starts to flash. Press the "+" or "-" key to select the time for the screen to light up, or select "On" to keep the light permanently on. Press "ok" to confirm. Press the "+" key to go to the "Controlo remoto" (Remote control) menu.



- **Remote Control**

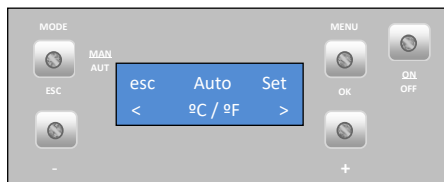
This feature enables and disables the remote control, when the user wants to operate the unit's thermostat remotely. Press "Set" and use the "+" and "-" keys to select the "On" or "Off" mode. Press "Ok" to confirm. Press the "+" key to go to the "Unidade de temperatura" (Temperature units) menu.



Note: Some TV remote controls share the same frequency as the unit's remote control, possibly influencing the unit's operation. If this is the case, it is recommended to disable the remote control feature.

- **Temperature unit (°C / °F)**

To select °C / °F, press "set". The display starts to flash. Press the "+" or "-" key to select "°C", "°F" or "Auto", and then "ok" to confirm. Press the "+" key to go to the "Combustion recipe" menu.



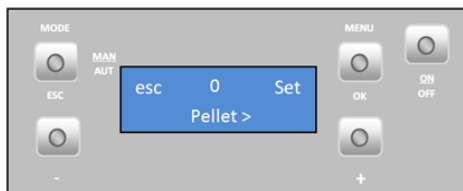
- **Combustion recipe**

Press "set" to display the "Combustão receita" (Combustion recipe) menu.



- **Pellet**

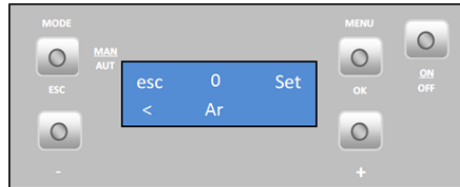
This feature allows the user to increase or decrease by 25% the **pellet quantity during the start-up and power process**. Press "set". The display starts to flash. Press "+" or "-" to increase or decrease (between -10 to +10), as required. Each unit must be multiplied by 2,5 to obtain the correct percentage. Press "ok" to confirm. Press the "+" key to go to the "Ar" (Air) menu.



- **Air**

This feature allows the user to increase or decrease by 25% the **rotation speed of the fume extractor during the start-up and power stages**. Press "set". The display

starts to flash. Press the "+" or "-" key to increase or decrease (from -10 to +10), as required. Each unit must be multiplied by 2,5 to obtain the correct percentage. Press "ok" to confirm. Press "esc" to return to the "Receita de pellets" (Pellet recipe) menu and then press "+" to go to the "Carga pellet" (Pellet loading) menu.



- **Pellet loading (this function only appears with the machine in Off)**

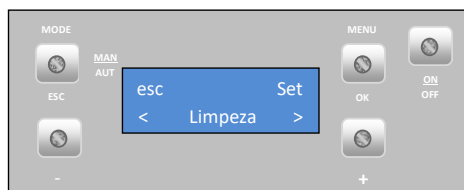
This feature allows you to enable the **worm drive** to fill the channel when it is empty to keep the unit running. Press "set"; the "ok" option appears. Press "ok" to activate the drive; the message "habilitada" (Activated) appears. Press "esc" to stop. Press the "+" key to go to the "Limpeza" (Cleaning) menu.



Important notice: When there are no more pellets in the unit while it is in operation, you should **ALWAYS** use this function to refill the worm drive channel.

- **Cleaning (this function only appears with the machine in Off)**

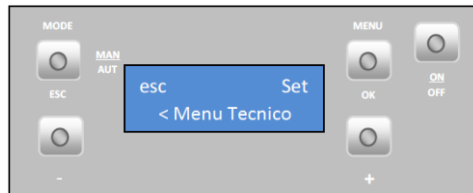
This feature allows you to **clean** the burning basket manually. Press "set"; the "ok" message appears. Press "ok" to start the cleaning procedure; the "Habilitada" (Activated) message appears. To stop, press "ok". Press the "+" key to open the "Técnico" (Technical) menu.



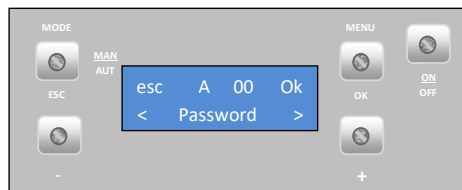
The technical menu is not available to the end user since it includes exclusively factory settings that must never be changed.

- **Technical Menu**

This feature allows the user to adjust the unit's different parameters. Pressing "set" displays the "password" menu to enter the technical menu.



Press "Ok"; the letter "A" starts to flash. Using the "+" and "-" keys, select the desired letter. Press "Ok" to confirm; the numbers "00" start to flash. Using the "+" and "-" keys, select the desired number. Confirm by pressing "OK" to go to the "Configurações Gerais" (General Settings) menu.



Note: The password is only provided to authorised technicians.

17. Infrared remote control




Figure 97 - Unit's infrared remote control


The infrared remote control allows the user to turn the unit on and off, to control the fan airflow and to increase or decrease the unit's power level.


Note: There are TV commands that have the same frequency of the infrared command, they affect the normal operation, it is recommended in this situation contact a technician to disable the infrared option in the pellets stove.

18. List of Alarms / failures / recommendations

18.1. Failures

 Important notice: Maintenance failure ("Service" warning on the display) indicates that the unit has exceeded 2100 operating hours. In this case, the client should carry out the unit's maintenance before resetting the hour meter to eliminate the anomaly warning. This anomaly does not influence the normal operation of the unit, it is merely a warning.

 Important notice: anomalies do not cause the machine to shut down.

 **WARNING:** In case of an emergency, shut the equipment down by following the normal procedure to switch the unit off.

Failures

"Service" (Corresponds to maintenance)
Combustion Airflow Alarm
Pellet Low Level
Door Open
Temp. Air Sensor Failure
Temp. Water Sensor Failure*
Water Pressure Switch Failure*
Water pressure near the ends of the operating range

Table 3 - List of failures

* Only boiler model units.

18.2. Alarms



Important notice: all alarms cause the machine to shut down. The alarm must be reset and the unit restarted. To reset the unit, press the "On/Off" button for 10 seconds until the alarm sounds.

Alarm	Code		Troubleshooting
Ignition Failed	A01	Maximum time 2400 s	<ul style="list-style-type: none"> - Worm drive channel empty - restart the unit - Resistor burn out – replace resistor - The burning basket has been incorrectly installed - Worm drive is blocked – unblock - Fume temperature did not exceed the value set on activation
Flame Shut Down	A02	Temperature under: <ul style="list-style-type: none"> - 104°F (40°C) (air model) - 43 °C (Douro 24 kW model); - 50 °C (Douro 17 kW model); 	<ul style="list-style-type: none"> - Pellet reservoir is empty
Pellet Tank Over-Temperature	A03	110 °C	<ul style="list-style-type: none"> - Fan does not work – call assistance - Faulty thermostat – call assistance - Machine with faulty ventilation
Fumes Over-Temperature	A04	Over 446°F (230°C) (Air model); Over 446°F (260°C) (Water model)	<ul style="list-style-type: none"> - Fan not working or set to a low power level – increase the fan's power level to maximum (if the problem persists, call technical assistance) - Insufficient extraction - Excess pellet dosage - Faulty fume probe
Fumes Pressure Switch Alarm	A05	Door open, lack of draught or extractor fault for 60 sec	<ul style="list-style-type: none"> - Close the door and clear the error message on the faulty pressure regulator - Obstruction of the exhaust pipe or faulty extractor
Combustion Airflow Alarm	A06	40 Ipm delta for 3600 sec	<ul style="list-style-type: none"> - Pipes showing insufficient extraction or obstructed pipes
Door open	A07	Door opens for 60 seconds	<ul style="list-style-type: none"> - Close the door – clear the error - Faulty airflow sensor

Table 4 - Alarm list A01 to A07

Alarm	Code		Troubleshooting
Fume extractor error	A08	Connection failure	- Check connection - Check if the fumes extractor is not obstructed
Fumes Temp. Sensor error	A09	Connection failure	- Check connection
Pellet igniter error	A10	Connection failure	- Check connection - Faulty igniter
Pellet Feeder error	A11	Connection failure	- Check connection - Faulty the pellet feeder motor
Pellet level Alarm	A15		- Check connection
Water pressure out of range *	A16		- Check connection - Check pressure on the hydraulic circuit - Adjust pressure (1 bar) of the hydraulic circuit (operating ranges from 0.5 to 2.8 bar)
Water Tank Over-temperature *	A18		- Check connection - Check if the pump is working - Purge hydraulic circuit - Check if the heat sinks are open

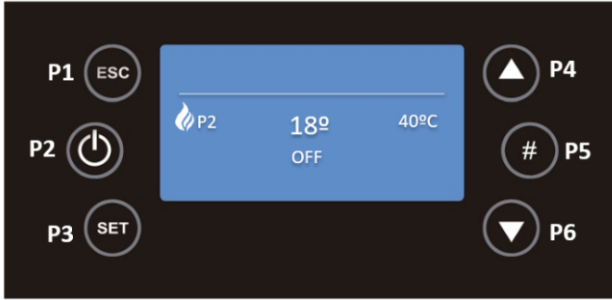
Table 5 - Alarm list A08 to A15

* Only boiler model units.

 **WARNING: THE UNIT WILL BE HOT DURING OPERATION SO CARE MUST BE TAKEN ESPECIALLY WITH THE DOOR GLASS AND HANDLE.**

19. Control Columbus

Solzaima stoves may be equipped with Columbus electronics, the Columbus display is as shown below. To confirm if your equipment is equipped with these electronics, please check the serial number of the equipment and refer to Table 6.



Columbus Electronic	Serial No. of equipment
Nevada	≥ 01-20-01348
Everest	≥ 01-20-00846
Everest Round	≥ 01-20-00438

Table 6 - Serial No. with Columbus electronic

19.1. Remote Control



Figure 98 – Remote control

The remote control allows you to switch the stove on and off and change the power level of the appliance (the stove cannot be in automatic mode). It may be necessary to pair the remote control:

- 1- Press and hold the 2 buttons (combinations: 1-2, 1-3, 1-4, 2-3, 2-4, 3-4);
- 2- The led starts flashing quickly;
- 3- After 10s, the led remains on;
- 4- After the led is steady stop pressing the buttons in less than 5s;
- 5- If you do not stop pressing the buttons, the led turns off and the serial number is not changed (protection against accidental pressing) and the control is no longer paired with the stove.

List of serial numbers:

Button combinations	Frequency (bit)
1-2 (default)	00000100
1-3	00000101
1-4	00000110
2-3	00001001
2-4	00001010
3-4	00001100

Code List:

Button	Associated Code (bit)
Button 1 (ON)	Code: 11
Button 2 (+)	Code: 01
Button 3 (-)	Code: 00
Button 4 (OFF)	Code: 10

This remote control works with two CR2016 3V batteries, similar to the one in the picture below.

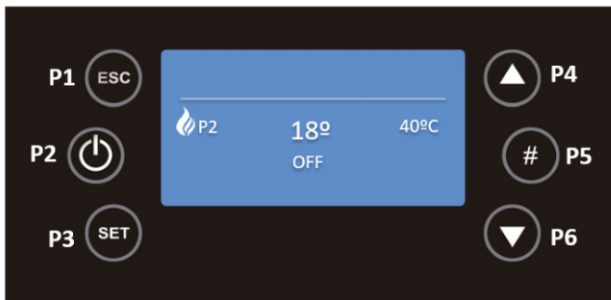


Figure 99 - Control Batteries

Note: it is necessary to activate the command on the display see point 11.3.3 of the manual.

19.2. Display

When connecting the equipment, the display indicates the "OFF" status of the stove, and can also indicate the chrono activation, system errors, selected combustion power, selected ventilation power, current room temperature and selected room temperature set-point.





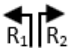






In the Home Page by pressing the key:

- "P1" it's possible to exit the menu/submenu;
- "P2" it's possible to switch on the equipment, or, switch off the equipment. The same button allows the errors reset, by pressing 3 seconds continuously, it also allows the activation of Chrono in the corresponding submenu;
- "P3" it's possible to access the user menu 1, by pressing 3 seconds on the same button we can access the user menu 2 and it also allows saving changes;
- "P4" it's possible to enter the Combustion Power menu;
- "P5" it's possible to enter the Information menu and also activate a Chrono time

slot;

- "P6" it is possible to enter the Room Thermostat menu;
- "P3" + "P5" for 3 seconds it is possible to access the secondary information menu present in the service menu where it is possible to check a set of variables.

Led	Meaning
 <p>D  W  WE </p>	<ul style="list-style-type: none">• When this Led is active it means that the Chrono is in Daily Mode ON, Weekly Mode ON or Weekend Mode ON.
 <p>  R₁ R₂</p>	<ul style="list-style-type: none">• When this LED is active, it indicates which fans are running, local and remote.
 <p></p>	<ul style="list-style-type: none">• When this LED is active, it means that the required room temperature has been reached.



THE STOVE MUST ALWAYS BE DEACTIVATED IN THE SAME WAY IT WAS ACTIVATED. THE EQUIPMENT MUST NEVER BE UNPLUGGED DURING THE ACTIVATION PROCESS.

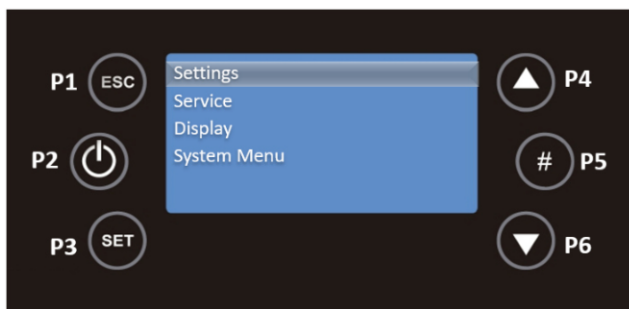
19.3. Settings Menu

19.3.1. Language

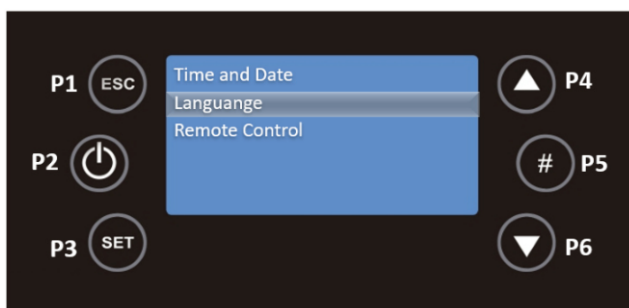
By pressing the P3 key for 3 seconds, you will display the Settings, Service, Display and System menus.

SYSTEM MENU IS AN EXCLUSIVE ACCESS MENU FOR THE TECHNICAL SERVICE AND REQUIRES A PASSWORD.

With the P4 and P6 keys you must select the required menu and then press P3 to validate your choice, in this case the Settings menu.



Select the Language submenu with the P6 key and to validate the entry in this submenu the P3 key.



Within this submenu, with P4 and P6 select the required language and press P3 again to confirm.

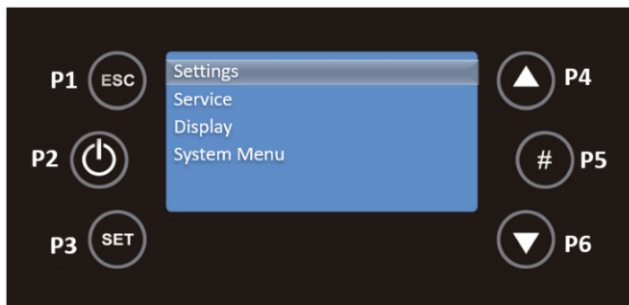


To exit the Language menu, press the P1 key.

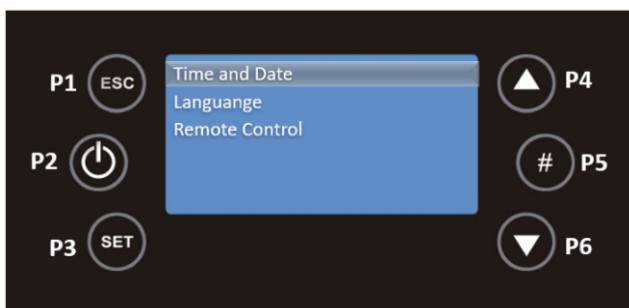
19.3.2. Time and Date

- Time

From the main screen, by pressing for 3 seconds the P3 key, you can access the Settings menu, by pressing again on P3 to enter this menu.



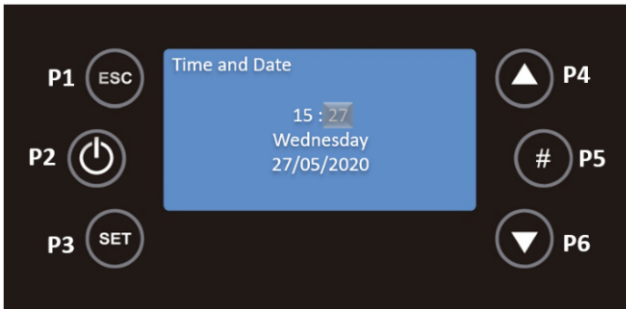
Use the P3 key to select Date and Time.



In the Date and Time menu, select Time, with the P4 and P6 keys, and press the P3 key, the time will appear in editable mode, flashing, with P4 and P6 select the correct time and press P3 to validate.

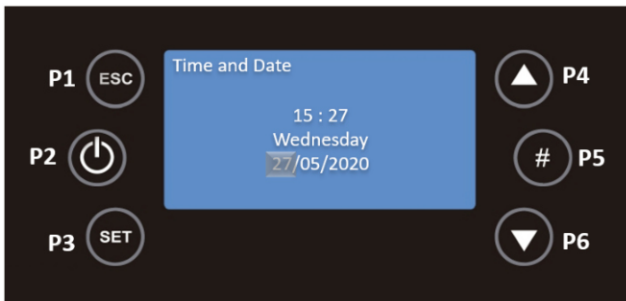


The same must be done for Minutes, with P6 select Minutes and press P3, the minutes will appear in editable mode, flashing, with P4 and P6 select the correct minutes and press P3 to validate.

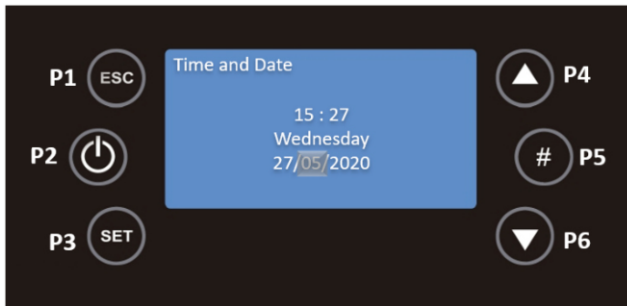


- **Date**

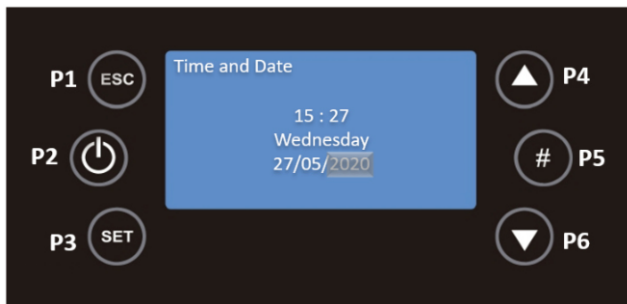
In the same menu, select Day with the P4 and P6 keys and press P3, the day will appear in editable mode, flashing, with P4 and P6 select the correct day and press P3 to validate.



To edit the Month, you must use the P4 and P6 keys to select this information and then P3, the month will appear in editable mode, with P4 and P6 select the desired month and then press P3 again to validate.



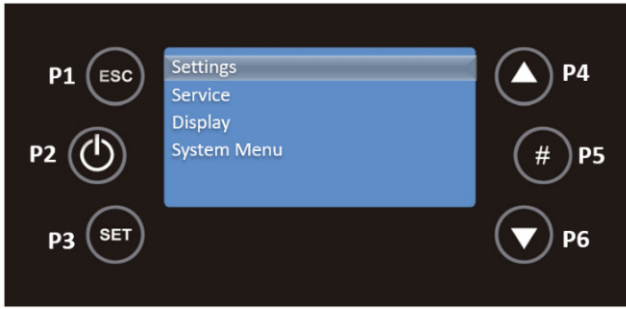
The Year follows the same procedure, press the P4 and P6 keys to move to the Year, use the P3 key to edit this field, the year will appear in editable mode. With P4 and P6 select the desired year and press P3 to validate.



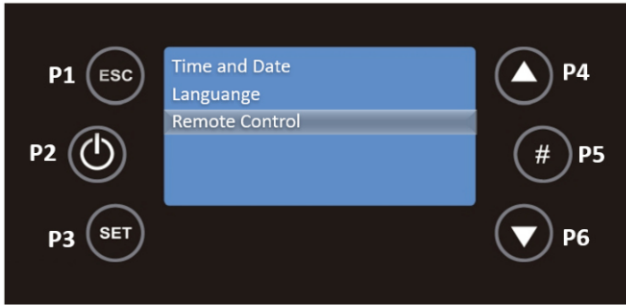
THE DAY OF THE WEEK (SUNDAY TO SATURDAY) CHANGES ACCORDING TO THE DAY OF THE WEEK SELECTED.

19.3.3. Remote Control

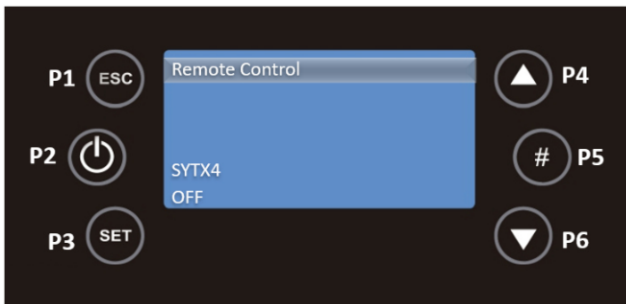
From the main screen, by pressing for 3 seconds the P3 key, you can access the Settings menu, by pressing again on P3 to enter this menu.



Use key P6 to select the submenu Remote Control and to validate the entry in this submenu the key P3.

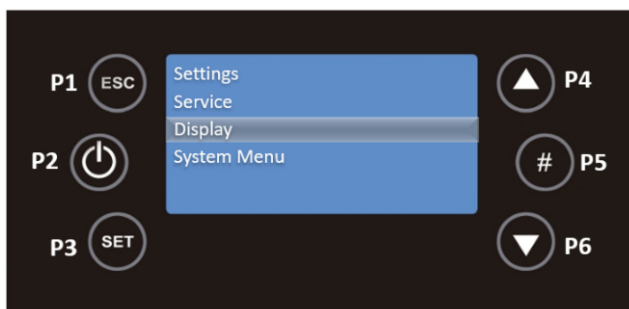


With the P4 and P6 keys you can activate or deactivate the Remote Control, pressing P3 to validate the option.

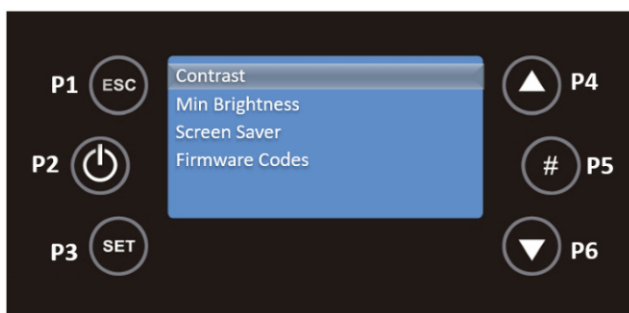


19.4. Display Menu

By pressing the P3 key for 3 seconds, you will see the Settings, Service, Display and System menus. Use the P4 and P6 keys to select the required menu and then press P3 to confirm the choice, in this case the Display menu.

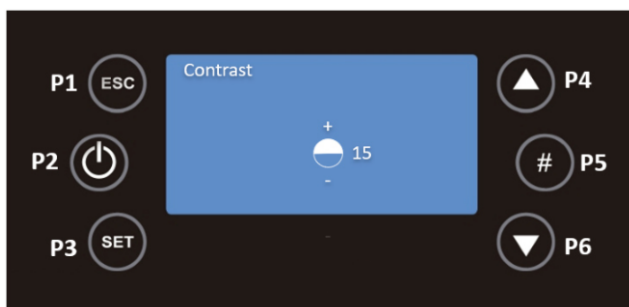


In this menu there are the functions Contrast, Min Brightness, Screen Saver and Firmware Codes.



19.4.1. Contrast

Press the P3 key to validate the choice of this function, with the P4 and P6 keys you can set the contrast between 0 and 30 for your screen. To return to the Display menu, press P1.



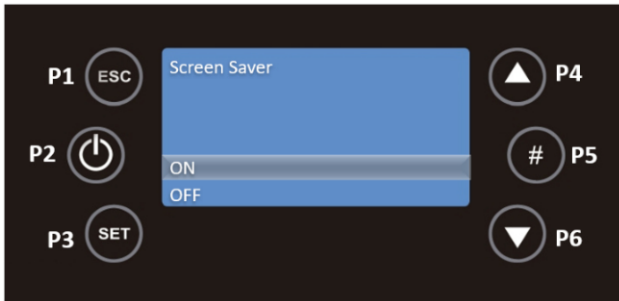
19.4.2. Min Brightness

In the Display menu with P4 and P6 select the Min Brightness function by pressing on the P3 key. With the P4 and P6 keys you can set the brightness between 0 and 20 for your display. To return to the Display menu, press P1.



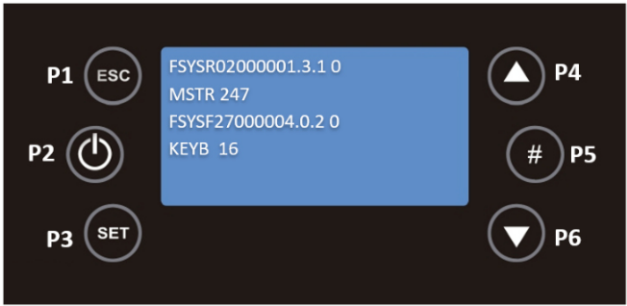
19.4.3. Screen Saver

In the Display menu with P4 and P6 select the Screen Saver function by pressing on the P3 key. In this function you can activate or deactivate the screen lock. To return to the Display menu, press P1.



19.4.4. Firmware Codes

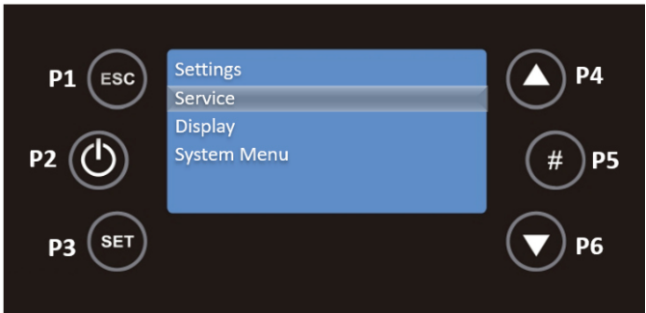
In the Display menu with P4 and P6 select the Firmware codes function by pressing on the P3 key. This function, for reference only, allows you to see the communication address of the control board, type of control board and firmware version.



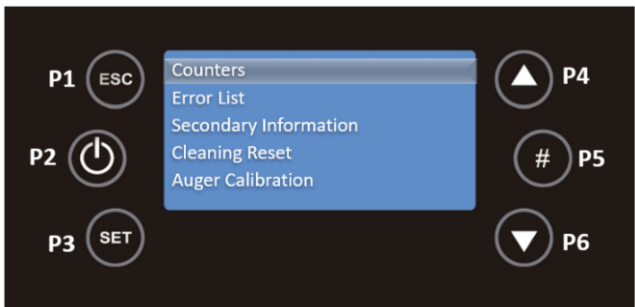
To return to the Display menu, press P1. Pressing this key twice will display the Settings, Display, Service and System menus.

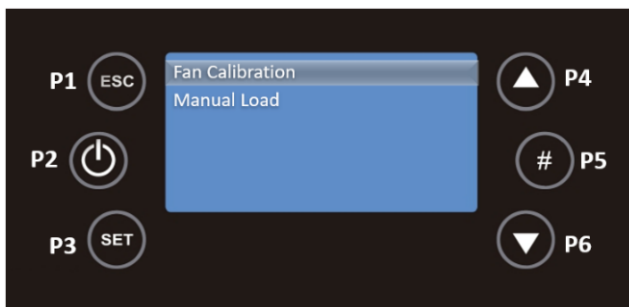
19.5. Service Menu

By pressing the P3 key for 3 seconds, you will display the Settings, Service, Display and System menus. Use the P4 and P6 keys to select the required menu and then press P3 to confirm the choice, in this case the Service menu.



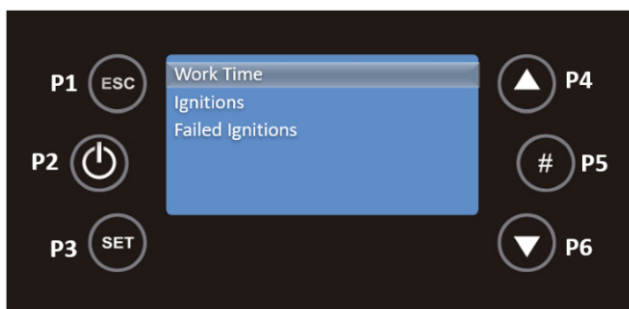
The following functions are available in this menu.



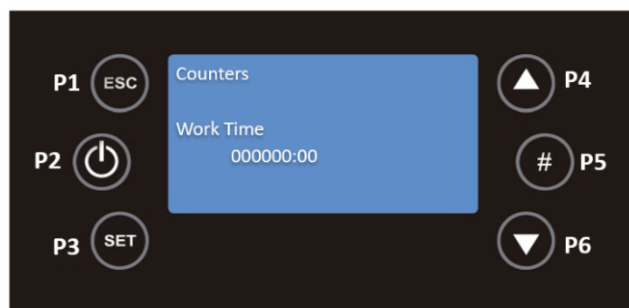


19.5.1. Counters

Select Counters, using the P3 key, to validate the entry in this submenu. This function allows consulting the working hours, the number of ignitions and the number of failed ignitions.

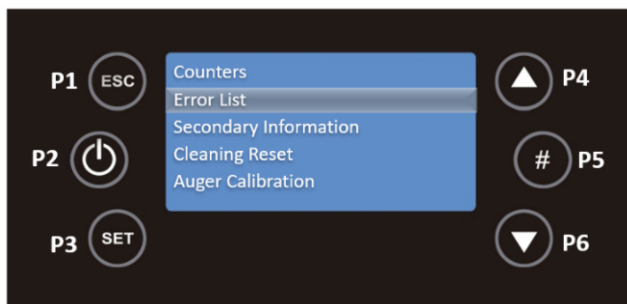


Using the P4 and P6 keys, select the submenu you wish to consult and press P3 to validate. To return to the Service menu, press P1.

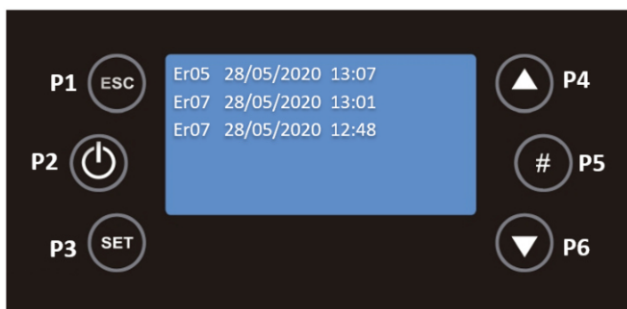


19.5.2. Error List

In the Service menu with P4 and P6 select the submenu Error list, pressing the P3 key to validate.

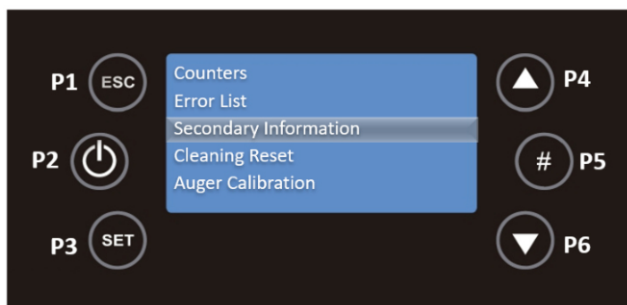


This submenu shows the last 10 errors that occurred, on each line the error code and the date and time when it occurred are displayed. To return to the Service menu press P1.

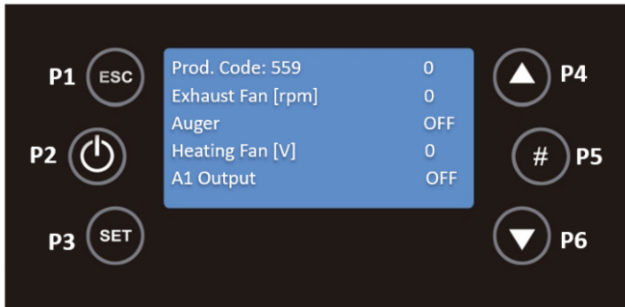


19.5.3. Secondary Information

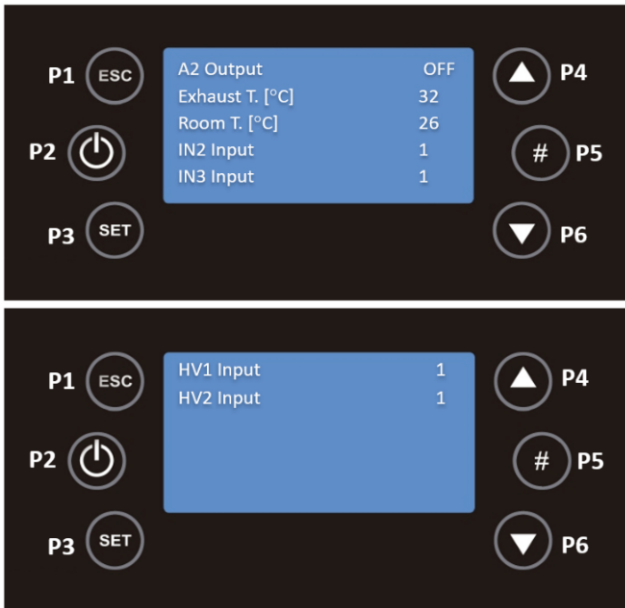
In the Service menu, select the Secondary Information submenu with P4 and P6 and then press the P3 key.



In this function you can check the product code, the status of the fan, the auger, the heating fan and the status of the outputs.

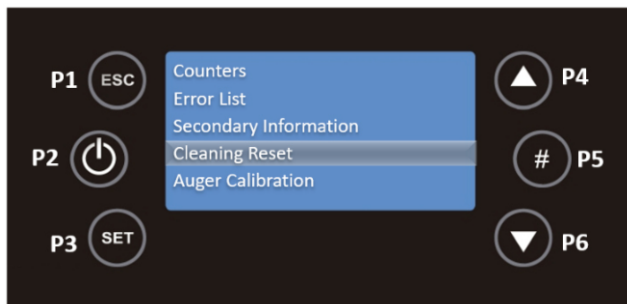


It is possible to query the exhaust temperature, ambient temperature and the status of the inputs. Whether the input status is open (0) or closed (1).

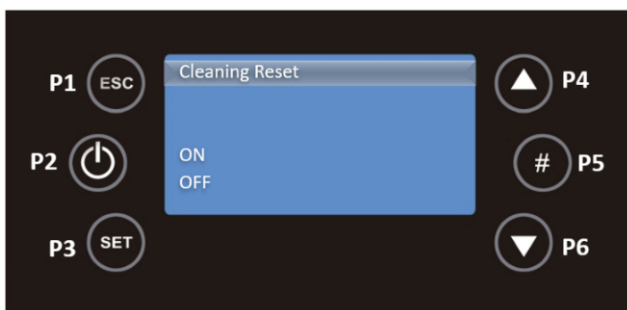


19.5.4. Cleaning Reset

In the Service menu with P4 and P6 select the Cleaning Reset function by pressing on the P3 key.

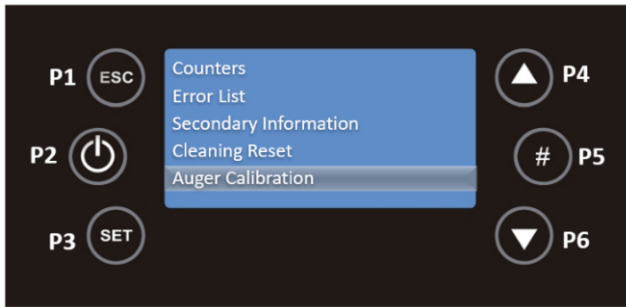


In this function you can switch this function on or off. To return to the Service menu, press P1.

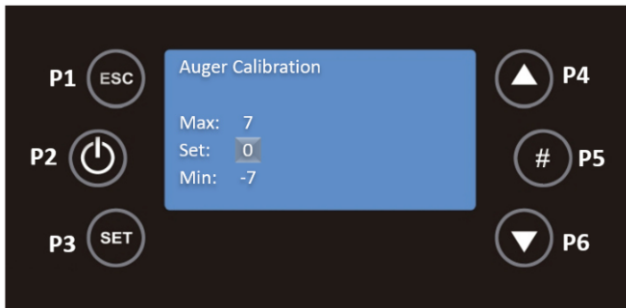


19.5.5. Auger Calibration

In the Service menu with P4 and P6 select the Auger Calibration submenu, pressing the P3 key to validate.

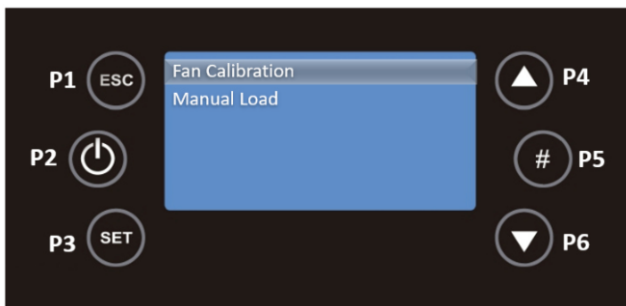


In this submenu with the keys P4 and P6 you can adjust the quantity of pellet to be fed, between -7 (-14%) and 7 (+14%). To return to the Service menu, press P1.

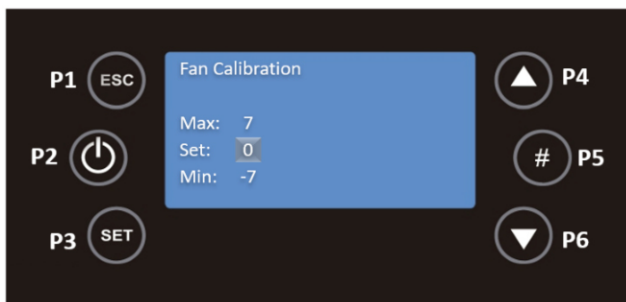


19.5.6. Fan Calibration

In the Service menu with P4 and P6 select the submenu Fan Calibration by pressing on the P3 key.

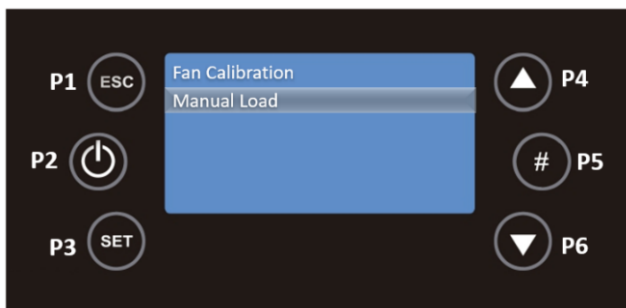


In this submenu with the keys P4 and P6 you can adjust the fan speed, between -7 (-21%) and 7 (+21%). To return to the Service menu, press P1.

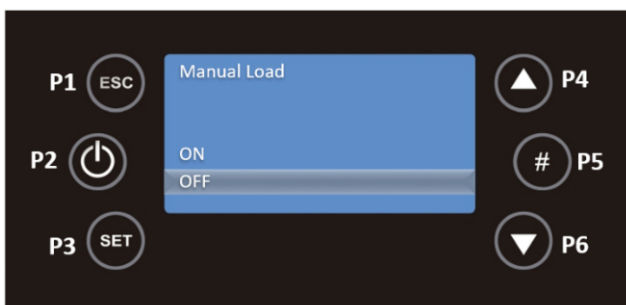


19.5.7. Manual Load

Select Load, with the P3 key, to validate the entry in this submenu.



This function activates the pellet manual loading.

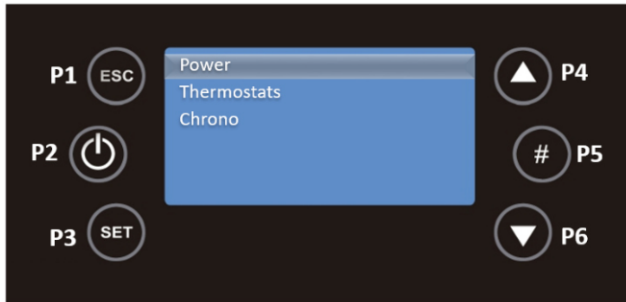


Pressing the P1 key twice will take you back to the main menus, Settings, Display, Service and System Menu.

SYSTEM MENU IS AN EXCLUSIVE ACCESS MENU FOR THE TECHNICAL SERVICE AND REQUIRES A PASSWORD.

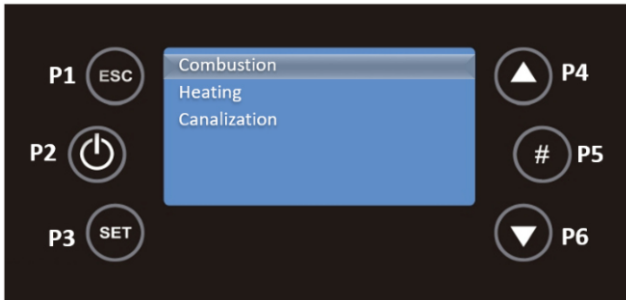
19.6. Power Menu

Press the P3 key to access the following menus, Power, Thermostats and Chrono. Use the P4 and P6 keys to select the required menu and then press P3 to confirm the choice, in this case the Power menu.

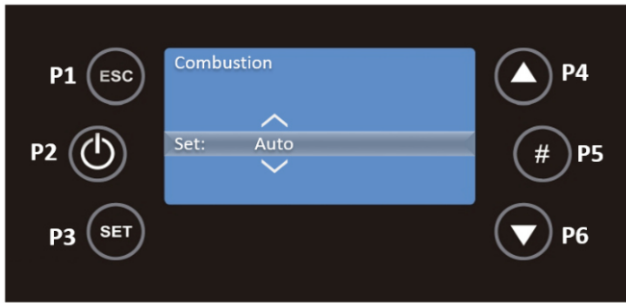


19.6.1. Combustion

Select Combustion with the P3 key, to validate the entry in this submenu.



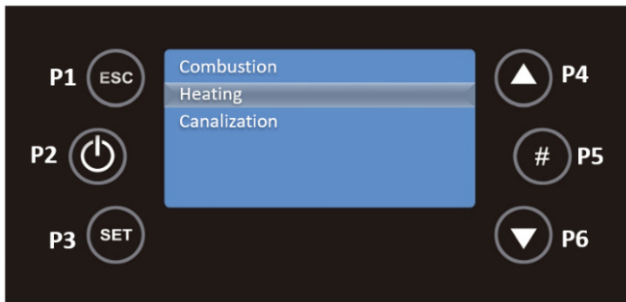
With the P4 and P6 keys you can modify the system's combustion power. It can be set in automatic or manual mode: in the first case, the system will choose the combustion power; in the second case, the user selects the power from 0 to 5.



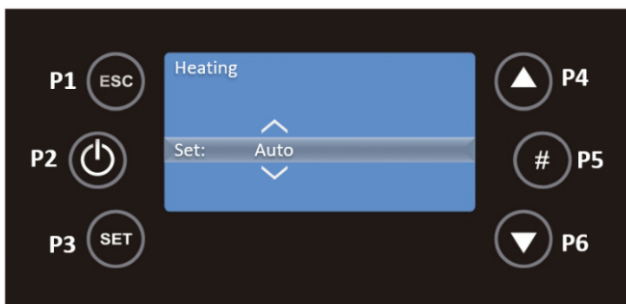
Press the P3 key to save your changes and use P1 to go back.

19.6.2. Heating

With P4 and P6 you must select Heating and then press P3 to validate access to this submenu.



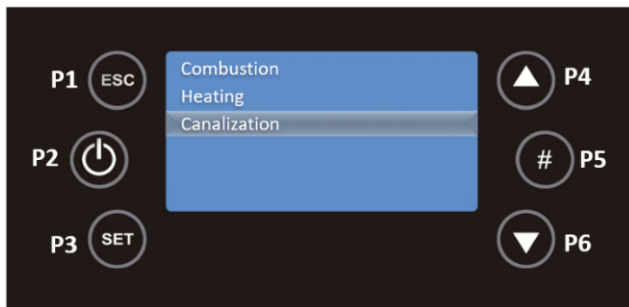
With the P4 and P6 keys, you can modify the system's combustion power. This submenu allows the system's heating power to be modified. It can be set in automatic or manual mode: in the second case, the user selects the power from 0 to 5.



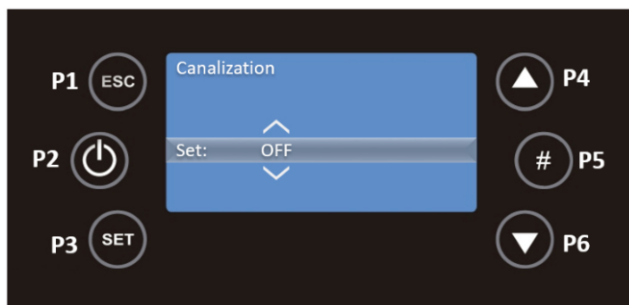
Press the P3 key to save your changes and use P1 to go back.

19.6.3. Canalization (Nevada and Everest Round)

With P4 and P6 you must select Canalization and then press P3 to validate access to this submenu.

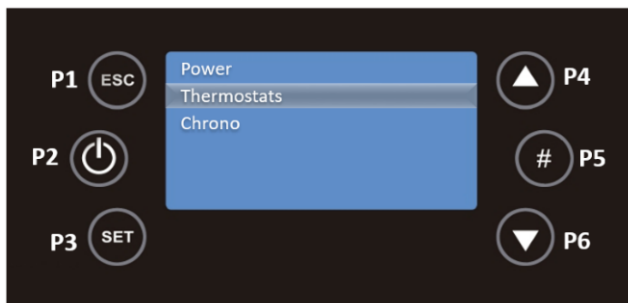


This submenu allows you to modify the power value of the canalization fan. It is only displayed if you select a heating system that includes a second heating fan. With the P4 and P6 keys it can be set in automatic or manual mode: in the second case, the user selects the power from 0 to 5.

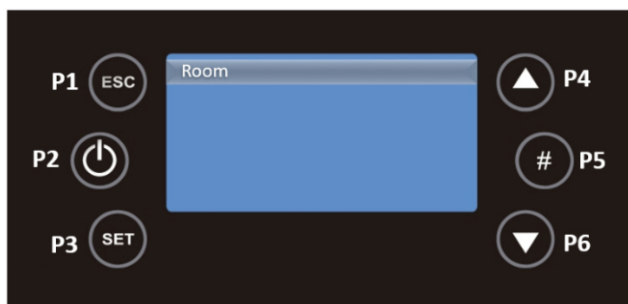


19.7. Thermostats Menu

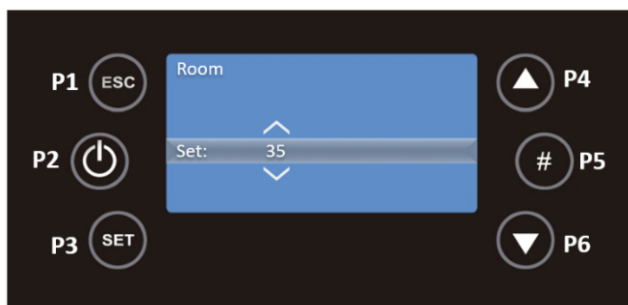
Press key P3 to access the Thermostats menu, using key P6 and then press on P3 to validate the choice of this menu.



In this menu, select the submenu Room, using the P3 key.



You can set the comfort target temperature between 10 and 40°C, with the P4 and P6 keys.

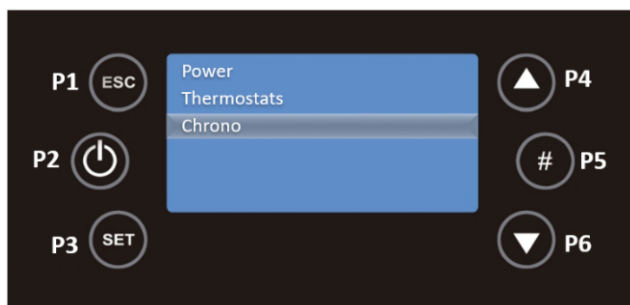


Press the P3 key to save your changes and use P1 to go back.

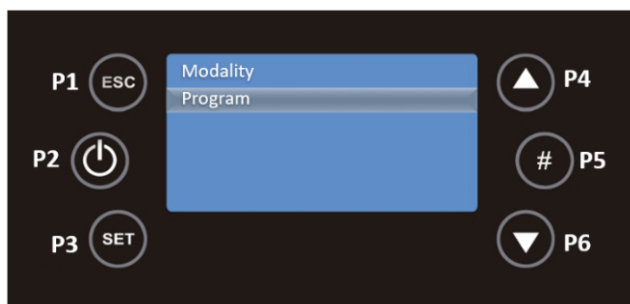
19.8. Chrono Menu

The unit has a time scheduler that allows the stove to switch on and off automatically. It can be daily (you can select the day of the week you want and set up to 3 different times for the respective day), weekly (you can select up to 3 times during a day, the same program will be applied every day of the week) and weekend (you can select 3 times during the day for weekdays and weekends).

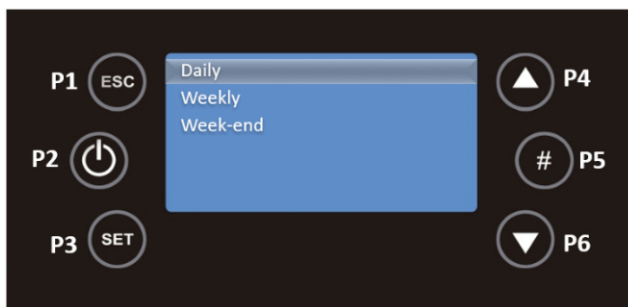
In the main screen, press the P3 key to access the menus, Power, Thermostats and Chrono. Use the P4 and P6 keys to select the Chrono menu and then press P3 to confirm the choice.



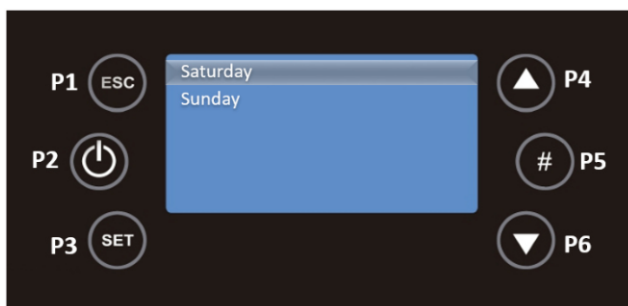
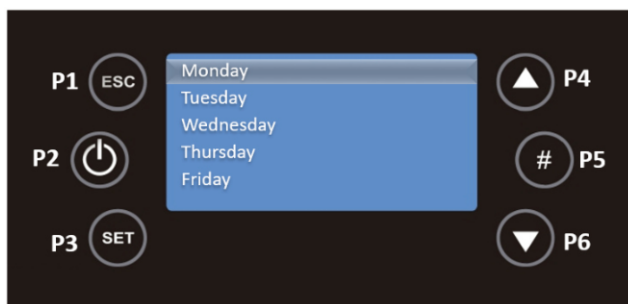
You must then enter the Programme submenu, using the P6 key to select and P3 to validate the choice.



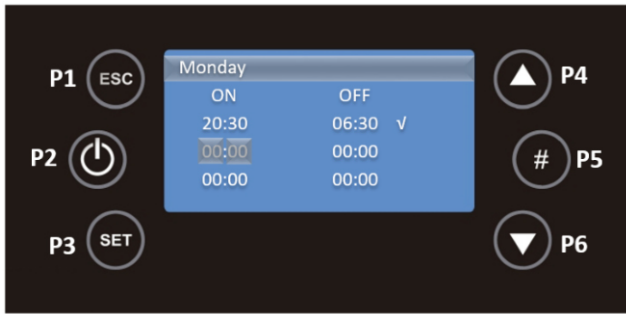
Then use the P4 and P6 keys to select Daily, Weekly or Weekend. You must press P3 to validate your choice.



For the Daily programme, you must use the P4 and P6 keys to select the day of the week, in this case the programme for Monday, and then press P3 to validate your choice.



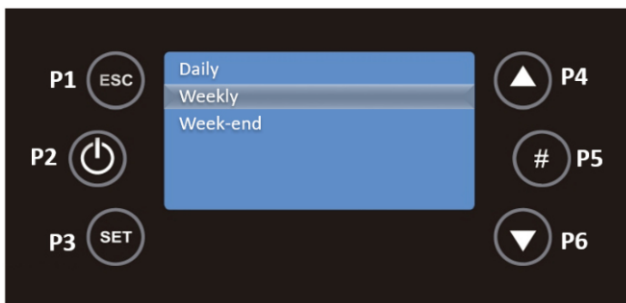
You must press P3 and this option will be in editable mode, flashing. Press P4 and P6 to select the desired time and then use the P3 key to save. Repeat this process for the time at which the unit is to shut down, using P4 and P6. Finally, activate the interval by pressing P5, and a check mark will appear to the right of the interval.



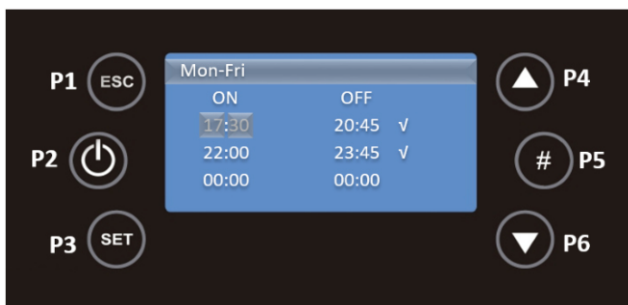
In the image above the system will turn on at 20:30 on Monday and will turn off at 06:30 on Tuesday. When programmes are developed around midnight with the intention of starting operation the day before and finishing operation the next day it will be relevant:

- Set the OFF time of the day before at 23:59;
- Set the ON time for the next day at 00:00.

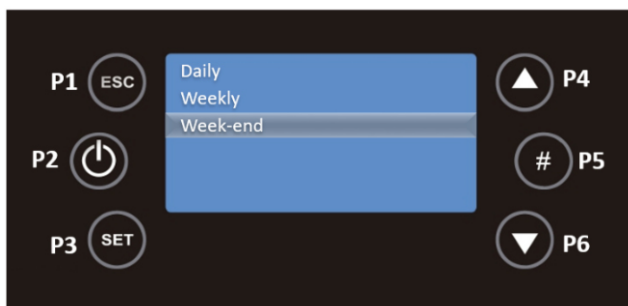
For the Weekly programme, the programmes are the same for every day of the week, from Monday to Sunday. Use the P4 and P6 buttons to select weekly from the Programme submenu and press P3 to confirm the choice.



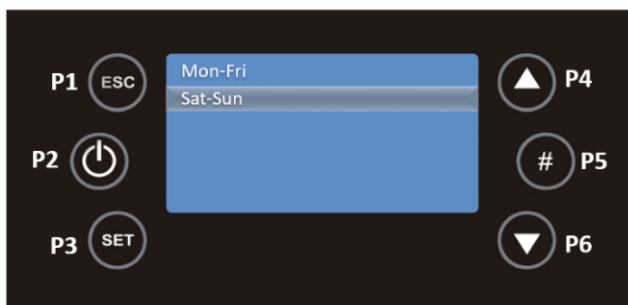
You must press P3 and this option will be in editable mode, flashing. Press P4 and P6 to select the desired time and then use the P3 key to save. Repeat this process for the time at which the unit is to shut down, using P4 and P6. Finally, activate the interval by pressing P5, and a check mark will appear to the right of the interval.



For the Weekend programme, you must, with the P4 and P6 keys, select Weekend and press P3 to validate your choice.

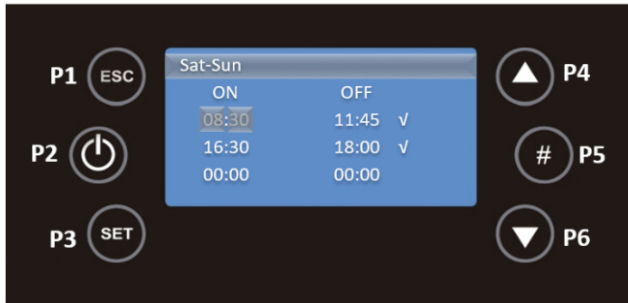


For this mode, you must choose between the Monday to Friday and Saturday to Sunday time slots by pressing the P3 key.



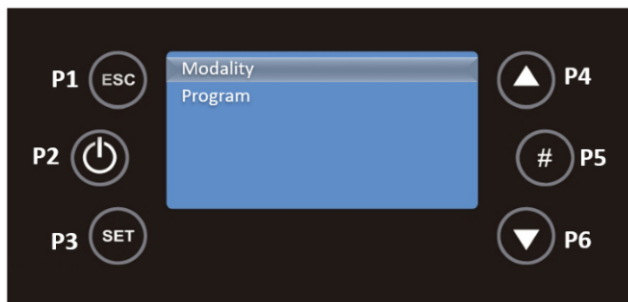
You must press P3 and this option will be in editable mode, flashing. Press P4 and P6 to select the desired time and then use the P3 key to save. Repeat this process for the

time at which the unit is to shut down, using P4 and P6. Finally, activate the interval by pressing P5, and a check mark will appear to the right of the interval.

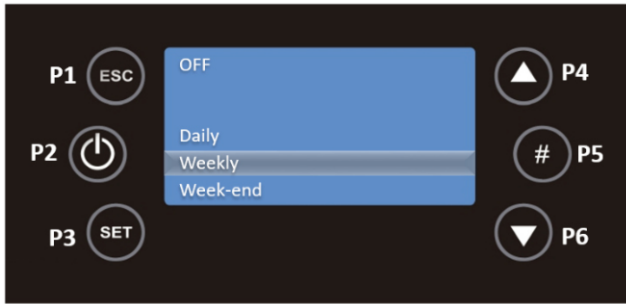


AFTER DEFINING THE PROGRAMMES, IT IS NECESSARY TO DEFINE WHICH MODE YOU WANT TO ACTIVATE.

In the main screen, press the P3 key to access the menus, Power, Thermostats and Chrono. Use the P4 and P6 keys to select the Chrono menu and then press P3 to confirm the choice.



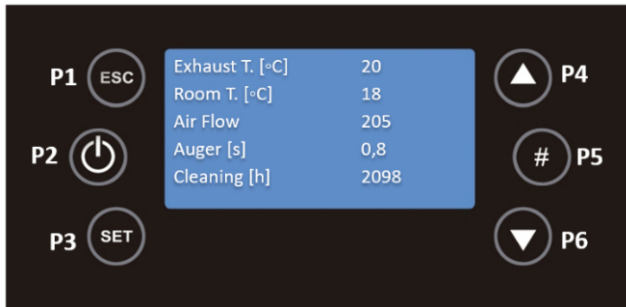
By selecting Mode with the P3 key you can select which Chrono mode you want. Use the P4 and P6 keys to select between Daily, Weekly and Weekend, use the P2 key to activate/deactivate the choice and P3 to save the changes.



After activating the mode, the main screen will have Led **D**, **W** or **WE** active in the upper right corner.

19.9. Info Menu

In this menu the user can view some information about the device, such as measured values and aspects relating to the electronics. In the initial menu, press the P5 key once, and the menu will appear.



With the P4 and P6 keys you can scroll through the different variables. The values displayed are the values measured On-Line.

The following table explains the meaning of each of the variables.

Exhaust T. [°C]	Read in degrees Celsius (°C) it tells you the exhaust temperature monitored by the probe.
Ambient T. [°C]	This is read in degrees Celsius (°C) and gives the ambient temperature monitored by the NTC probe placed outside the stove.
Fan [rpm]	Read in rpm, it tells you the rotation speed of the fan.
Auger [s]	Read in seconds and within 4 seconds the auger is active and feeding pellet to the burner.
Service [h]	Read in hour's shows the number of hours remaining to show faults due to lack of maintenance. These must be reset by the technical service during maintenance. The maintenance period must respect the kilos of pellets burned.
Working hours [h]	Read in hours tells you the number of hours in Run Mode, Modulation and Safety Mode.
Ignition [nr]	Read in number of occurrences informs how many ignitions have been carried out since they were reset to zero.
Cod. Artic.	Product Code.

Table 7 - Meaning of the variables

20. Alarm / Failure / Recommendation List – Columbus Control

Anomalies

- Sond – Probe's anomaly during the control in Check Up.
- Ignition Block – The message appears if the system has been is turned off during Ignition (after Preload) by an external device: the system will stop only when it goes in Run Mode.
- Link Error – Lack of communication between the LCD or K control panels and the control board.
- Cleaning On – Periodic cleaning in progress.
- Flashing Hours - Wrong time and date in the event of prolonged power failure.

THE ANOMALIES DO NOT ORIGINATE THE SHUTDOWN OF THE EQUIPMENT.

To switch off the device, in case of emergency, you must do the normal shutdown of the equipment. To do this, press the off button for 3 seconds and allow it to deactivate until the word off appears on the display.

All alarms cause the machine to switch off with information about the error and activation of the alarm led. It will be necessary to reset the alarm and restart. To reset the machine, press the "On/Off" button for 3 to 4 seconds until you hear a beep accompanied by the message "Reset alarms in progress".

If the resetting of alarms is successful, new information is displayed - Reset alarms Successful. In the Off state, if for any reason the smoke temperature rises above 85°C, the unit enters deactivation mode.

Alarm	Code		Troubleshooting
Pellet drum temperature is too high	Er01	110 °C, even with the equipment OFF	<ul style="list-style-type: none"> - Room fan not working - call for service - Thermostat defective - call for service - Ventilation defective
Pressure regulator alarm	Er02	Door open, draught too low or extractor fault for 180 sec. Only visible if puller is set to ON.	<ul style="list-style-type: none"> - Close door and remove faulty pressure switch - Faulty exhaust pipe obstruction or extractor
Extinguishing for exhaust under temperature	Er03	Temperature below 55°C (Th03)	<ul style="list-style-type: none"> - Pellet reservoir is empty - Faulty thermocouple
Extinguishing for exhaust over temperature	Er05	Over 300 °C	<ul style="list-style-type: none"> - Room fan does not work or is at a low power level - increase level to maximum (if problem persists call for service) - Insufficient extraction - Excess pellets - Faulty smoke sensor
Encoder fan error: no Encoder signal	Er07	No rpm signals. Allows unlocking and working by voltage in a provisional way P25=0	<ul style="list-style-type: none"> - Check connection - Check that the fan is not blocked - After remedying the fault, you must select operating mode P25=2 again
Encoder fan error: Combustion Fan regulation failed	Er08	Encoder has signal but failed regulation. Can be released and working temporarily by voltage P25=0	<ul style="list-style-type: none"> - Blockage of exhaust pipe or defective extractor - After remedying the fault, you must select operating mode P25=2 again
Failed ignition	Er12	Maximum time: 900 s and exhaust temperature below 50°C	<ul style="list-style-type: none"> - Empty auger channel - restarting - Ignition resistance burnt out - replace resistance - Firing basket incorrectly placed - Exhaust temperature did not exceed the value set on activation

Lack of voltage supply	Er15	Lack of voltage supply for more than 50 min	<ul style="list-style-type: none"> - Check supply voltage with your electricity supplier - Check the simultaneous use of electrical appliances - In the event of a short power failure (<10s) the stove continues to operate normally - If the system was in the ON state and the power failure occurs for more than 10s and less than 50 min, the stove will switch on after blackout
Communication error RS485	Er16		<ul style="list-style-type: none"> - Check connection between board and display
Open door error (First Advance 12kW only)	Er44	Door opens for 60 sec	<ul style="list-style-type: none"> - Close the door - remove the error
Service	Service	Maximum Hours: 2100 hr (T66) planned maintenance for achieved	<ul style="list-style-type: none"> - Contact your installer for occasional preventive maintenance of the equipment

THE MAINTENANCE FAULT ("SERVICE" MESSAGE ON THE DISPLAY) MEANS THAT THE STOVE HAS MORE THAN 2100 HOURS IN SERVICE. THE CUSTOMER MUST HAVE THE EQUIPMENT SERVICED AND ONLY THEN RESET THE HOUR METER TO ELIMINATE THE FAULT MESSAGE. THIS DOES NOT INFLUENCE THE NORMAL OPERATION OF THE EQUIPMENT; IT IS ONLY A WARNING.

21. Operating the unit

21.1. Start-up

To start operating the Free-Standing Pellet Fire unit, press the start/stop button for 3s. The display should indicate "Acendimento" (Lighting) until this completion of this phase.

The *pellets* are fed through the supply channel to the burning basket (combustion chamber), where they will be ignited using a heat resistor. This process may take between 5 and 10 minutes, depending on whether the worm screw used to push through the *pellets* has been previously filled with fuel or is empty. Upon completion of the ignition phase, the word "On" should appear on the *display*. The heating power can be adjusted at any time by pressing the power selection button for approximately 1 second. You can choose between five pre-set power levels. The selected power is indicated on the display. The initial power status at each start-up will correspond to the power level set during the last cycle operation.



Important Note: Before starting up the unit, check to determine if the deflector plate is **CORRECTLY** positioned.

Don't put the fuel directly in the burning basket.

21.2. Stop

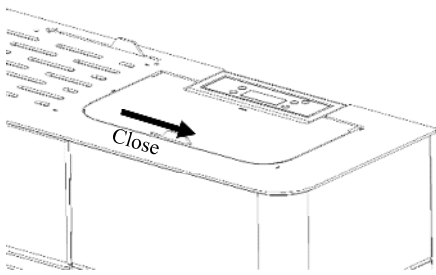
The stop sequence of the unit is started by pressing the start/stop key for 3s. The display will show "**Desactivação**" (Disabling) until full completion of this phase. The extractor will remain active until the fume temperature of 40°C is reached, to guarantee that all the material has been burnt.

21.2.1. Turning off the unit

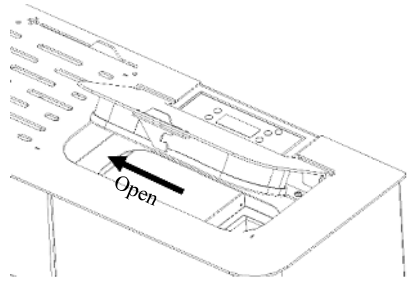
The unit should only be disconnected after its full stop. Make sure that the display shows "**Off**" before disconnecting the unit. If necessary, disconnect the power cable from the mains.

21.2.2. Filling the pellet reservoir

a) Open the pellet reservoir lid by sliding the lock sideways and lifting the lid (Figure 100).



a)



b)

Figure 100 - Opening the lid

b) Pour the pellets into the reservoir, as shown in Figure 101.



Figure 101 - Refilling the pellet reservoir

c) Close the reservoir lid by pressing it down as shown in Figure 100, and turn on the unit.

22. Maintenance

The free-standing pellet fire Nevada and Everest requires careful maintenance. The most important thing is to periodically remove the ashes from the pellet burning area. To do so in a convenient way, use a household vacuum cleaner. You should perform a **CLEANING** procedure after burning, approximately, 30kg.

Note: However, before cleaning, the power of the unit must be turned off and the unit should be cold enough to prevent accidents from occurring.

22.1. Cleaning the glass

The glass may only be cleaned when it is completely cold and using an appropriate product, as per the instructions for use and avoiding that the product come into contact with the rope gasket, as well as any painted metal parts, in order to avoid unwanted oxidation. The rope gasket is glued, so it should not be exposed to moisture from water or cleaning products.



Figure 102 - Incorrect cleaning of the glass



a)



b)

Figure 103 - Cleaning the glass: a) moisten a soft cloth with liquid; b) clean the glass with the cloth

22.2. Cleaning the unit (Cont.)

To perform the maintenance procedure, use the cleaning handle to pull and push the cleaning bar inside the unit's ventilation grill, to remove the dirt accumulated in the tube exchanger (Figure 104).

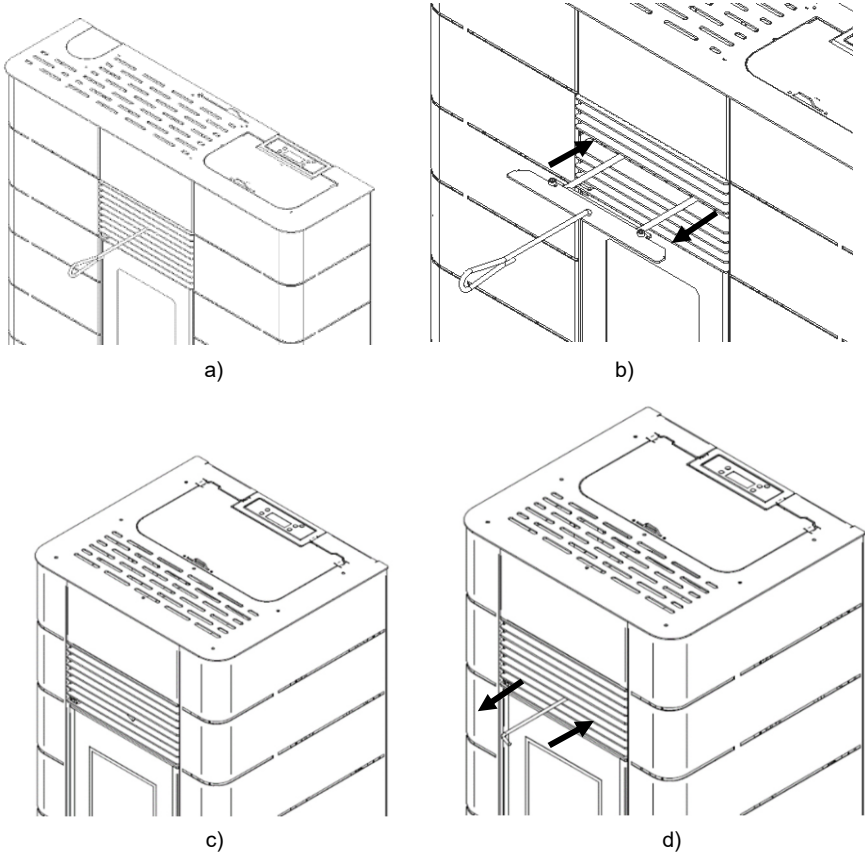


Figure 104 - Heat exchanger cleaning bar

Next, open the door and remove the burning basket, the ash pan grate, and the hatch. Clean the ashes accumulated in these components.

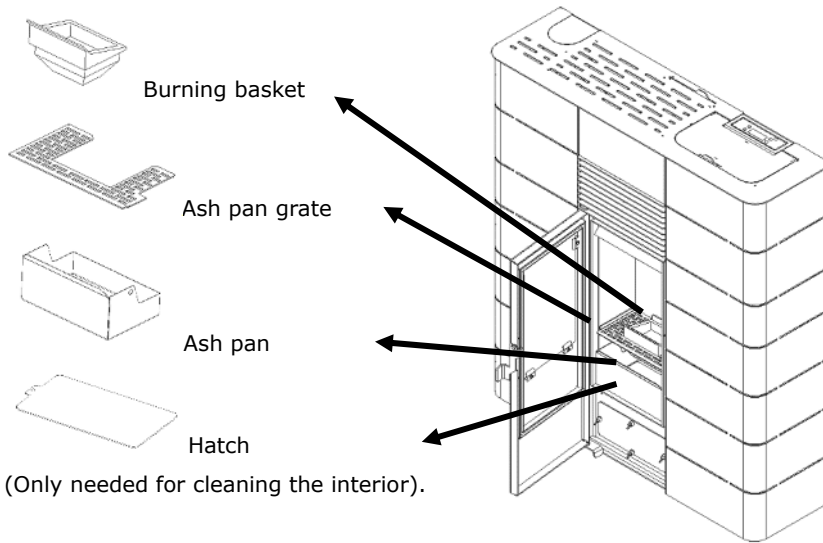


Figure 105 - Accessories you need to remove to clean the unit

Then clean the inside the unit using a brush or a cloth scrubbing the surfaces where dirt has accumulated (Figure 106).



Figure 106 - Cleaning the vermiculite

Important notice: The interior of the unit must also be cleaned by opening the hatch and to access the interior, as shown in Figure 107.

Finally, assemble the parts in the reverse order to which they were removed and close the unit door.

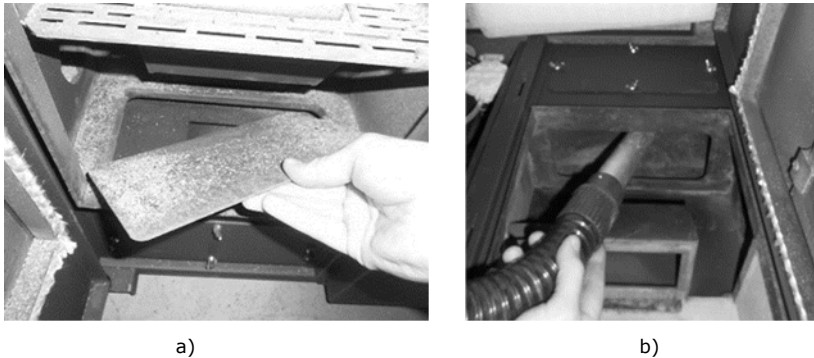


Figure 107 - Cleaning the interior of the unit

22.3. Additional cleaning (Periodic)

For every 600-800 kg of pellets consumed, in addition to the cleaning process described above you should also perform an additional maintenance.

22.3.1. Cleaning the interior of the combustion chamber

For this unit, you need to remove the side covers, in order to access the side lids of the combustion chamber (**see section 11 of this manual**). To clean the interior, you need to unscrew the wing nuts (Figure 108), remove the side lids front of the unit and vacuum the ashes (Figure 109-a). Use a twisted-wire steel brush with a 20-25 mm diameter and 80 cm in length. Clean the fume ducts (Figure 109-b).

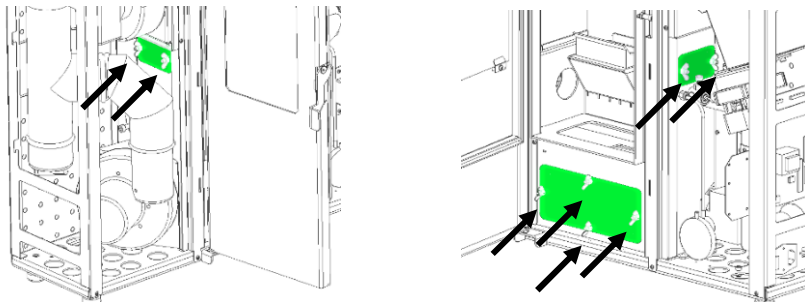


Figure 108 - Lids to remove from the unit



Figure 109 - a) Vacuum the interior; b) Clean using a brush

22.3.2. Cleaning the deflecting plate

For this unit, you need to remove the ashes that are accumulated behind the deflecting plate. To perform this operation, you need to remove the unit's insulation (vermiculite). First, you must remove the supply channel on the side of the unit (Figure 110). To remove this component, you must unscrew the securing nuts (use a M10 open-end wrench). This operation is only performed in the Nevada pellet stove.

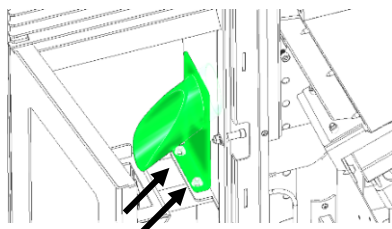


Figure 110 - Removing the supply channel

Next, remove the vermiculite parts, by detaching them from their support brackets (Figure 111). To remove them, you must follow a sequence, first removing the rear vermiculite (1) and only then the side parts (2).

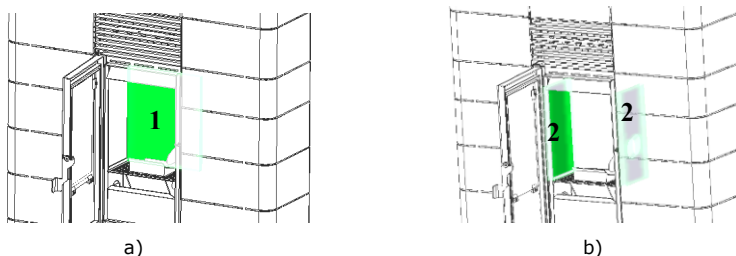


Figure 111 - Removing vermiculite parts

To remove the deflecting plate, you must move it from the support brackets by removing it through the rear (Figure 112-a and Figure 112-c).

Clean it by removing the ashes. It might be necessary to use a brush or a cloth to remove any ashes that are accumulated in the pipes and the wall above the deflecting plate (Figure 112-b and Figure 112-d).

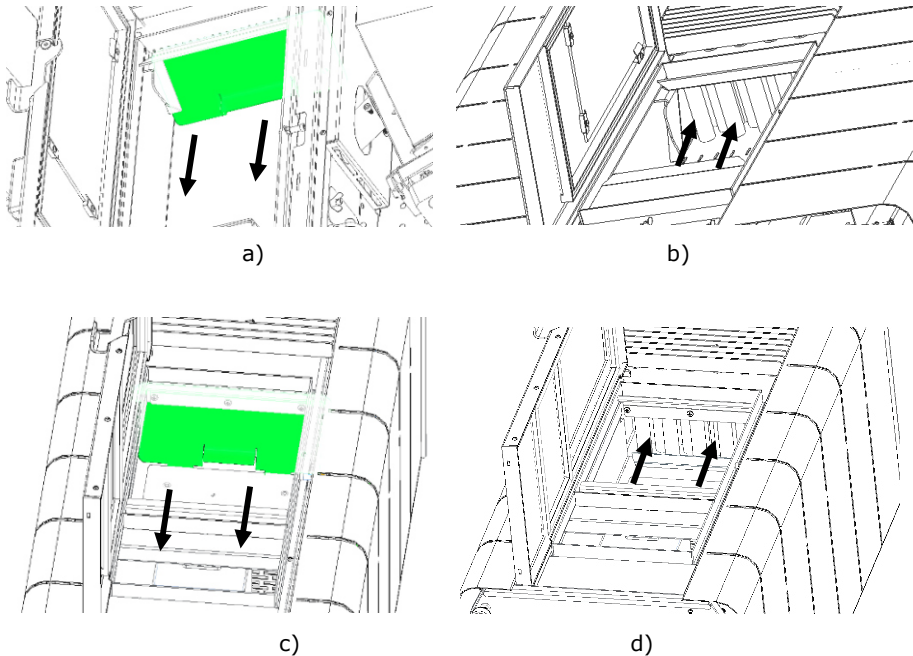


Figure 112 - Removing the deflecting plate and cleaning the heat exchanger

22.3.3. Cleaning the smoke circuit (only Everest stove)

To clean the circuit, vermiculite must be removed. Behind this there is a part fixed with 5 screws, you must remove the screws that fix it with a hexagon socket wrench n° 4. Remove the part.

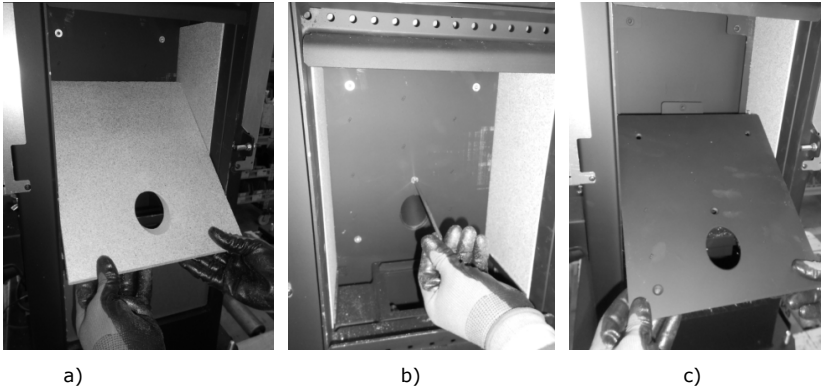


Figure 113 - Removing the smoke circuit

With the aid of a suitable vacuum cleaner or brush clean the removed part and the interior of the combustion chamber.



a)

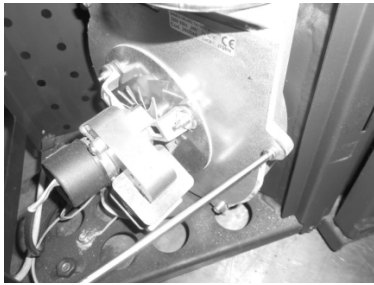


b)

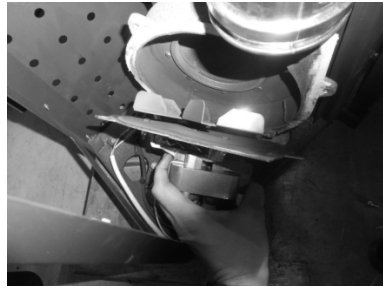
Figure 114 - Cleaning the smoke circuit

22.3.4. Cleaning the fume extractor

If fumes are not being optimally extracted, we recommend that you clean the extractor as shown in Figure 115 and Figure 116. However, we recommend that you perform this procedure at least once a year. Below is the example of cleaning the Nevada extractor.

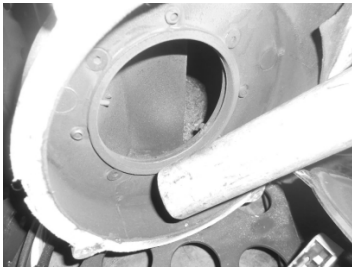


a)



b)

Figure 115 - a) Removing the screws; b) Removing the extractor



a)



b)

Figure 116 - a) Vacuum the extractor cover; b) Vacuum the extractor

23. Installing and operating with the remote control - "chronothermostat" (optional)

The pellets stove is mass produced with a remote control (display). Alternatively, the unit can be operated using a generic remote-control unit (chronothermostat) or other type of remote control, as long as it is a no-voltage contact.

To remotely connect the pellet burning unit to a chronothermostat or a thermostat, you must use the provided interface (Figure 118-b), which is a board located on the right side of the Nevada stove (

Figure 117-a) and on the back in the Everest stove (Figure 117-b).

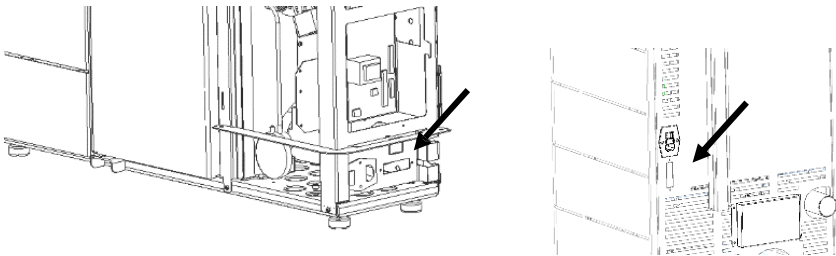


Figure 117 - Interface board location

This board has two inputs: "remote" and "thermostat". When connecting the programmable thermostat to the "remote" input, the user gives the start order (closed contact NC) and the stop order (open contact NO).

If you connect it to the "thermostat" input, the unit's power will only vary between minimum operating power (open contact NO) and maximum operating power (closed contact NC).

Note: the remote control is usually supplied with an instruction manual.



a)



b)

Figure 118 - Remote control (programmable thermostat) and connection interface – both not included

For **wireless** remote controls, both wires must be connected, as indicated in the following figure:

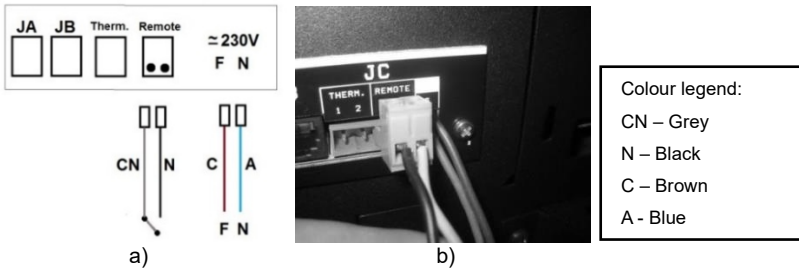


Figure 119 - Connecting the wireless remote control

For the **wired** remote control, the black and grey wires must be connected to the receiver as shown in the following Figure 120.

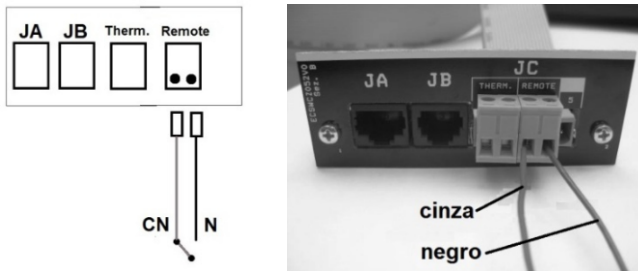
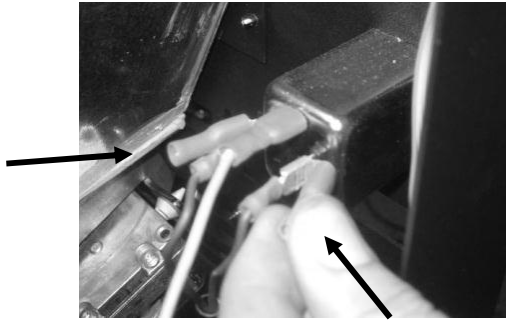


Figure 120 - Connecting the wired remote control

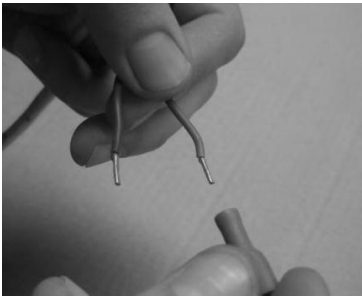
23.1. Instructions to assembler the remote control

a) Turn off the unit at the master power switch and remove the right cover of the unit (**see section 11 of this manual**). Remove the unit's terminals phase (F) and neutral (N).

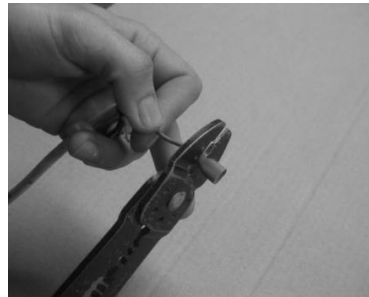


a)

b) Crimp the terminals to the cable that supplies the transmitter with 220V power.

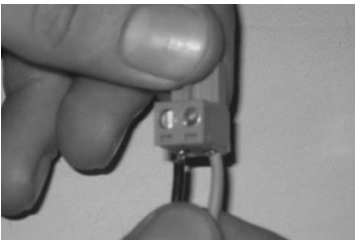


b)

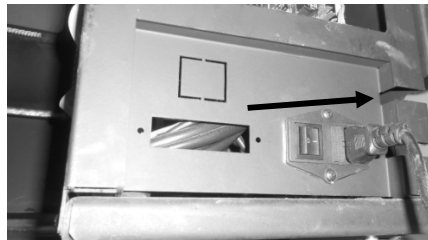


c)

c) Connect the wires to the ON/OFF contact connector (Figure 121-e); Direct the wires through the groove on the side to the interior of the unit (Figure 121-f);

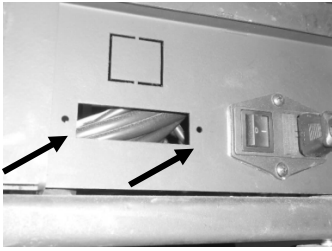


e)

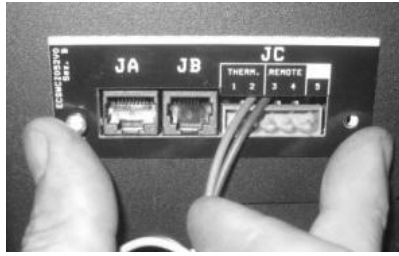


f)

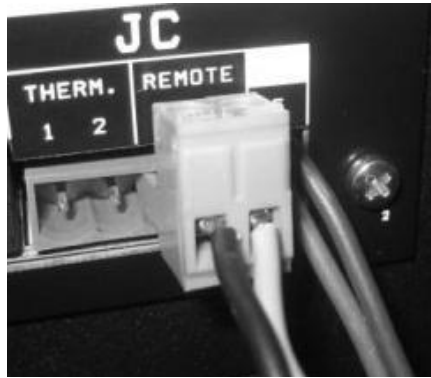
d) Mount the interface at the appropriate location on the unit and position the remote control (On/Off contact) switch to "remote" (Figure 121- i).



g)



h)



i)

e) Connect the interface cable to the communication socket on the circuit board (Servizi 5J).



j)

Figure 121 - Installing the chronothermostat

24. Installing the security optional – UPS connection kit

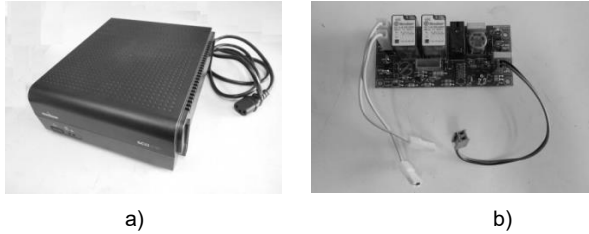


Figure 122 - a) example of a UPS unit (not included in kit); b) UPS kit components

To connect the kit to a UPS, proceed as shown in the following figures.

First, remove the side cover to access the circuit board (**see section 11 of this manual**). Then, mount the UPS electronic module near the unit's electronic plate with the correct wires connected to the plate (Figure 123-a and Figure 123-b). Then remove the plate fixed with micro joints in the equipment (Figure 123-c) and place the connector to connect the UPS in that location (Figure 123-d). Finally, make the electrical connections (Figure 123-e).

NEVER connect the UPS electronic module when the power of the unit is turned on.

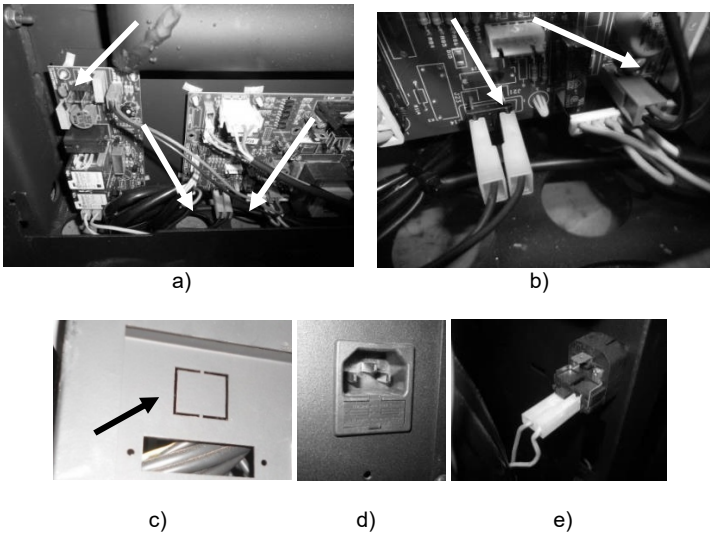


Figure 123 - Installing the UPS kit

Attached follows a simplified scheme with UPS kit binding sequence.

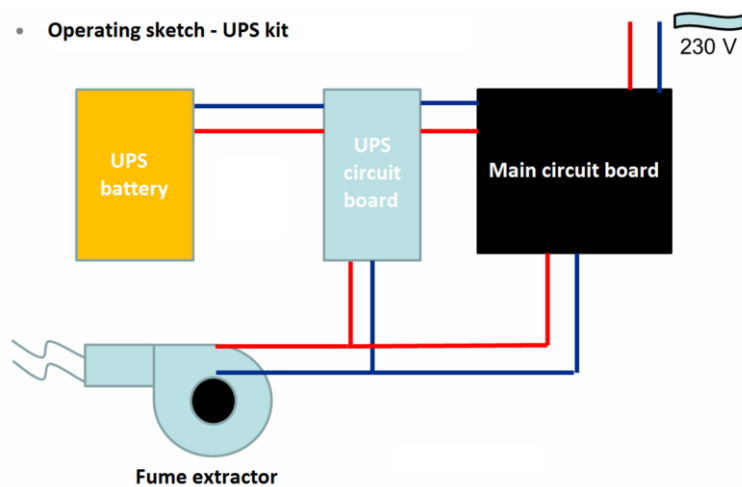


Figure 124 - Scheme of operation UPS Kit

⚠ Important note: UPS module battery is not included in the kit. The recommended UPS battery capacity is at least 900 W.

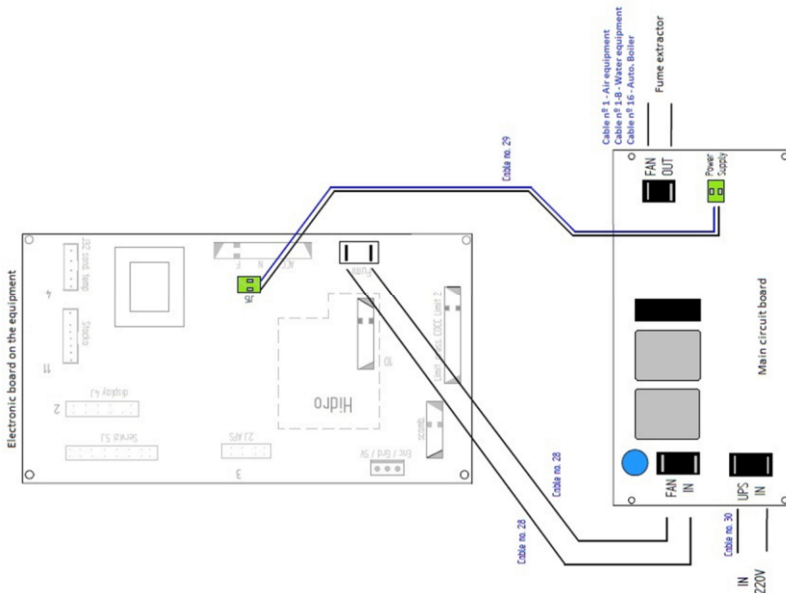


Figure 125 - Wiring diagram Kit UPS

25. Maintenance Plan and Log

To ensure the proper operation of the unit, maintenance operations must be performed, as described in Chapter 22 of this Instruction Manual or in the Maintenance and Cleaning Guide. There are specific maintenance tasks that must be performed by authorised technicians only. Please contact the person responsible for installing the unit. To make sure the warranty remains valid, the maintenance operations performed on this unit must comply with the frequency requirement specified in the manual, and the service technician must fill and sign the maintenance log.

Client data:

Name:	
Address:	
Telephone:	
Model:	
Serial number:	

Company/SAT: _____		
Technical: _____		
Dates: _____		
Service hours of boiler: _____		
Quantity of pellets burned: _____		
Task	Check	Obs.
Clean burner		
Clean smoke circuit and turbulators		
Vacuum pellet tank sawdust		
Check pressure of the expansion vessel		
Check safety valve 3 bar		
Check the fluid on the hydraulic circuit		
Clean the smoke extractor		
Check and clean the inspection T		
Clean chimney		
check the tightening of the screws		
Check engine cap pellet hopper		
Signature/stamp		

Company/SAT: _____		
Technical: _____		
Dates: _____		
Service hours of boiler: _____		
Quantity of pellets burned: _____		
Task	Check	Obs.
Clean burner		
Clean smoke circuit and turbulators		
Vacuum pellet tank sawdust		
Check pressure of the expansion vessel		
Check safety valve 3 bar		
Check the fluid on the hydraulic circuit		
Clean the smoke extractor		
Check and clean the inspection T		
Clean chimney		
check the tightening of the screws		
Check engine cap pellet hopper		
Signature/stamp		

Company/SAT: _____		
Technical: _____		
Dates: _____		
Service hours of boiler: _____		
Quantity of pellets burned: _____		
Task	Check	Obs.
Clean burner		
Clean smoke circuit and turbulators		
Vacuum pellet tank sawdust		
Check pressure of the expansion vessel		
Check safety valve 3 bar		
Check the fluid on the hydraulic circuit		
Clean the smoke extractor		
Check and clean the inspection T		
Clean chimney		
check the tightening of the screws		
Check engine cap pellet hopper		
Signature/stamp		

Company/SAT: _____		
Technical: _____		
Dates: _____		
Service hours of boiler: _____		
Quantity of pellets burned: _____		
Task	Check	Obs.
Clean burner		
Clean smoke circuit and turbulators		
Vacuum pellet tank sawdust		
Check pressure of the expansion vessel		
Check safety valve 3 bar		
Check the fluid on the hydraulic circuit		
Clean the smoke extractor		
Check and clean the inspection T		
Clean chimney		
check the tightening of the screws		
Check engine cap pellet hopper		
Signature/stamp		

Company/SAT: _____		
Technical: _____		
Dates: _____		
Service hours of boiler: _____		
Quantity of pellets burned: _____		
Task	Check	Obs.
Clean burner		
Clean smoke circuit and turbulators		
Vacuum pellet tank sawdust		
Check pressure of the expansion vessel		
Check safety valve 3 bar		
Check the fluid on the hydraulic circuit		
Clean the smoke extractor		
Check and clean the inspection T		
Clean chimney		
check the tightening of the screws		
Check engine cap pellet hopper		
Signature/stamp _____		

Company/SAT: _____		
Technical: _____		
Dates: _____		
Service hours of boiler: _____		
Quantity of pellets burned: _____		
Task	Check	Obs.
Clean burner		
Clean smoke circuit and turbulators		
Vacuum pellet tank sawdust		
Check pressure of the expansion vessel		
Check safety valve 3 bar		
Check the fluid on the hydraulic circuit		
Clean the smoke extractor		
Check and clean the inspection T		
Clean chimney		
check the tightening of the screws		
Check engine cap pellet hopper		
Signature/stamp _____		

Company/SAT: _____		
Technical: _____		
Dates: _____		
Service hours of boiler: _____		
Quantity of pellets burned: _____		
Task	Check	Obs.
Clean burner		
Clean smoke circuit and turbulators		
Vacuum pellet tank sawdust		
Check pressure of the expansion vessel		
Check safety valve 3 bar		
Check the fluid on the hydraulic circuit		
Clean the smoke extractor		
Check and clean the inspection T		
Clean chimney		
check the tightening of the screws		
Check engine cap pellet hopper		
Signature/stamp _____		

Company/SAT: _____		
Technical: _____		
Dates: _____		
Service hours of boiler: _____		
Quantity of pellets burned: _____		
Task	Check	Obs.
Clean burner		
Clean smoke circuit and turbulators		
Vacuum pellet tank sawdust		
Check pressure of the expansion vessel		
Check safety valve 3 bar		
Check the fluid on the hydraulic circuit		
Clean the smoke extractor		
Check and clean the inspection T		
Clean chimney		
check the tightening of the screws		
Check engine cap pellet hopper		
Signature/stamp _____		

Company/SAT: _____		
Technical: _____		
Dates: _____		
Service hours of boiler: _____		
Quantity of pellets burned: _____		
Task	Check	Obs.
Clean burner		
Clean smoke circuit and turbulators		
Vacuum pellet tank sawdust		
Check pressure of the expansion vessel		
Check safety valve 3 bar		
Check the fluid on the hydraulic circuit		
Clean the smoke extractor		
Check and clean the inspection T		
Clean chimney		
check the tightening of the screws		
Check engine cap pellet hopper		
Signature/stamp _____		

Company/SAT: _____		
Technical: _____		
Dates: _____		
Service hours of boiler: _____		
Quantity of pellets burned: _____		
Task	Check	Obs.
Clean burner		
Clean smoke circuit and turbulators		
Vacuum pellet tank sawdust		
Check pressure of the expansion vessel		
Check safety valve 3 bar		
Check the fluid on the hydraulic circuit		
Clean the smoke extractor		
Check and clean the inspection T		
Clean chimney		
check the tightening of the screws		
Check engine cap pellet hopper		
Signature/stamp _____		

Company/SAT: _____		
Technical: _____		
Dates: _____		
Service hours of boiler: _____		
Quantity of pellets burned: _____		
Task	Check	Obs.
Clean burner		
Clean smoke circuit and turbulators		
Vacuum pellet tank sawdust		
Check pressure of the expansion vessel		
Check safety valve 3 bar		
Check the fluid on the hydraulic circuit		
Clean the smoke extractor		
Check and clean the inspection T		
Clean chimney		
check the tightening of the screws		
Check engine cap pellet hopper		
Signature/stamp _____		

Company/SAT: _____		
Technical: _____		
Dates: _____		
Service hours of boiler: _____		
Quantity of pellets burned: _____		
Task	Check	Obs.
Clean burner		
Clean smoke circuit and turbulators		
Vacuum pellet tank sawdust		
Check pressure of the expansion vessel		
Check safety valve 3 bar		
Check the fluid on the hydraulic circuit		
Clean the smoke extractor		
Check and clean the inspection T		
Clean chimney		
check the tightening of the screws		
Check engine cap pellet hopper		
Signature/stamp _____		

Company/SAT: _____		
Technical: _____		
Dates: _____		
Service hours of boiler: _____		
Quantity of pellets burned: _____		
Task	Check	Obs.
Clean burner		
Clean smoke circuit and turbulators		
Vacuum pellet tank sawdust		
Check pressure of the expansion vessel		
Check safety valve 3 bar		
Check the fluid on the hydraulic circuit		
Clean the smoke extractor		
Check and clean the inspection T		
Clean chimney		
check the tightening of the screws		
Check engine cap pellet hopper		
_____ Signature/stamp		

Company/SAT: _____		
Technical: _____		
Dates: _____		
Service hours of boiler: _____		
Quantity of pellets burned: _____		
Task	Check	Obs.
Clean burner		
Clean smoke circuit and turbulators		
Vacuum pellet tank sawdust		
Check pressure of the expansion vessel		
Check safety valve 3 bar		
Check the fluid on the hydraulic circuit		
Clean the smoke extractor		
Check and clean the inspection T		
Clean chimney		
check the tightening of the screws		
Check engine cap pellet hopper		
_____ Signature/stamp		

Company/SAT: _____		
Technical: _____		
Dates: _____		
Service hours of boiler: _____		
Quantity of pellets burned: _____		
Task	Check	Obs.
Clean burner		
Clean smoke circuit and turbulators		
Vacuum pellet tank sawdust		
Check pressure of the expansion vessel		
Check safety valve 3 bar		
Check the fluid on the hydraulic circuit		
Clean the smoke extractor		
Check and clean the inspection T		
Clean chimney		
check the tightening of the screws		
Check engine cap pellet hopper		
_____ Signature/stamp		

Company/SAT: _____		
Technical: _____		
Dates: _____		
Service hours of boiler: _____		
Quantity of pellets burned: _____		
Task	Check	Obs.
Clean burner		
Clean smoke circuit and turbulators		
Vacuum pellet tank sawdust		
Check pressure of the expansion vessel		
Check safety valve 3 bar		
Check the fluid on the hydraulic circuit		
Clean the smoke extractor		
Check and clean the inspection T		
Clean chimney		
check the tightening of the screws		
Check engine cap pellet hopper		
_____ Signature/stamp		

Company/SAT: _____		
Technical: _____		
Dates: _____		
Service hours of boiler: _____		
Quantity of pellets burned: _____		
Task	Check	Obs.
Clean burner		
Clean smoke circuit and turbulators		
Vacuum pellet tank sawdust		
Check pressure of the expansion vessel		
Check safety valve 3 bar		
Check the fluid on the hydraulic circuit		
Clean the smoke extractor		
Check and clean the inspection T		
Clean chimney		
check the tightening of the screws		
Check engine cap pellet hopper		
_____ Signature/stamp		

Company/SAT: _____		
Technical: _____		
Dates: _____		
Service hours of boiler: _____		
Quantity of pellets burned: _____		
Task	Check	Obs.
Clean burner		
Clean smoke circuit and turbulators		
Vacuum pellet tank sawdust		
Check pressure of the expansion vessel		
Check safety valve 3 bar		
Check the fluid on the hydraulic circuit		
Clean the smoke extractor		
Check and clean the inspection T		
Clean chimney		
check the tightening of the screws		
Check engine cap pellet hopper		
_____ Signature/stamp		

Company/SAT: _____		
Technical: _____		
Dates: _____		
Service hours of boiler: _____		
Quantity of pellets burned: _____		
Task	Check	Obs.
Clean burner		
Clean smoke circuit and turbulators		
Vacuum pellet tank sawdust		
Check pressure of the expansion vessel		
Check safety valve 3 bar		
Check the fluid on the hydraulic circuit		
Clean the smoke extractor		
Check and clean the inspection T		
Clean chimney		
check the tightening of the screws		
Check engine cap pellet hopper		
_____ Signature/stamp		

Company/SAT: _____		
Technical: _____		
Dates: _____		
Service hours of boiler: _____		
Quantity of pellets burned: _____		
Task	Check	Obs.
Clean burner		
Clean smoke circuit and turbulators		
Vacuum pellet tank sawdust		
Check pressure of the expansion vessel		
Check safety valve 3 bar		
Check the fluid on the hydraulic circuit		
Clean the smoke extractor		
Check and clean the inspection T		
Clean chimney		
check the tightening of the screws		
Check engine cap pellet hopper		
_____ Signature/stamp		

Company/SAT: _____		
Technical: _____		
Dates: _____		
Service hours of boiler: _____		
Quantity of pellets burned: _____		
Task	Check	Obs.
Clean burner		
Clean smoke circuit and turbulators		
Vacuum pellet tank sawdust		
Check pressure of the expansion vessel		
Check safety valve 3 bar		
Check the fluid on the hydraulic circuit		
Clean the smoke extractor		
Check and clean the inspection T		
Clean chimney		
check the tightening of the screws		
Check engine cap pellet hopper		
Signature/stamp _____		

Company/SAT: _____		
Technical: _____		
Dates: _____		
Service hours of boiler: _____		
Quantity of pellets burned: _____		
Task	Check	Obs.
Clean burner		
Clean smoke circuit and turbulators		
Vacuum pellet tank sawdust		
Check pressure of the expansion vessel		
Check safety valve 3 bar		
Check the fluid on the hydraulic circuit		
Clean the smoke extractor		
Check and clean the inspection T		
Clean chimney		
check the tightening of the screws		
Check engine cap pellet hopper		
Signature/stamp _____		

Company/SAT: _____		
Technical: _____		
Dates: _____		
Service hours of boiler: _____		
Quantity of pellets burned: _____		
Task	Check	Obs.
Clean burner		
Clean smoke circuit and turbulators		
Vacuum pellet tank sawdust		
Check pressure of the expansion vessel		
Check safety valve 3 bar		
Check the fluid on the hydraulic circuit		
Clean the smoke extractor		
Check and clean the inspection T		
Clean chimney		
check the tightening of the screws		
Check engine cap pellet hopper		
Signature/stamp _____		

Company/SAT: _____		
Technical: _____		
Dates: _____		
Service hours of boiler: _____		
Quantity of pellets burned: _____		
Task	Check	Obs.
Clean burner		
Clean smoke circuit and turbulators		
Vacuum pellet tank sawdust		
Check pressure of the expansion vessel		
Check safety valve 3 bar		
Check the fluid on the hydraulic circuit		
Clean the smoke extractor		
Check and clean the inspection T		
Clean chimney		
check the tightening of the screws		
Check engine cap pellet hopper		
Signature/stamp _____		

Company/SAT: _____		
Technical: _____		
Dates: _____		
Service hours of boiler: _____		
Quantity of pellets burned: _____		
Task	Check	Obs.
Clean burner		
Clean smoke circuit and turbulators		
Vacuum pellet tank sawdust		
Check pressure of the expansion vessel		
Check safety valve 3 bar		
Check the fluid on the hydraulic circuit		
Clean the smoke extractor		
Check and clean the inspection T		
Clean chimney		
check the tightening of the screws		
Check engine cap pellet hopper		
Signature/stamp _____		

Company/SAT: _____		
Technical: _____		
Dates: _____		
Service hours of boiler: _____		
Quantity of pellets burned: _____		
Task	Check	Obs.
Clean burner		
Clean smoke circuit and turbulators		
Vacuum pellet tank sawdust		
Check pressure of the expansion vessel		
Check safety valve 3 bar		
Check the fluid on the hydraulic circuit		
Clean the smoke extractor		
Check and clean the inspection T		
Clean chimney		
check the tightening of the screws		
Check engine cap pellet hopper		
Signature/stamp _____		

Company/SAT: _____		
Technical: _____		
Dates: _____		
Service hours of boiler: _____		
Quantity of pellets burned: _____		
Task	Check	Obs.
Clean burner		
Clean smoke circuit and turbulators		
Vacuum pellet tank sawdust		
Check pressure of the expansion vessel		
Check safety valve 3 bar		
Check the fluid on the hydraulic circuit		
Clean the smoke extractor		
Check and clean the inspection T		
Clean chimney		
check the tightening of the screws		
Check engine cap pellet hopper		
Signature/stamp _____		

Company/SAT: _____		
Technical: _____		
Dates: _____		
Service hours of boiler: _____		
Quantity of pellets burned: _____		
Task	Check	Obs.
Clean burner		
Clean smoke circuit and turbulators		
Vacuum pellet tank sawdust		
Check pressure of the expansion vessel		
Check safety valve 3 bar		
Check the fluid on the hydraulic circuit		
Clean the smoke extractor		
Check and clean the inspection T		
Clean chimney		
check the tightening of the screws		
Check engine cap pellet hopper		
Signature/stamp _____		

26. Maintenance Guide Label

ATTENTION

MAINTENANCE AND CLEANING GUIDE

Some of the tasks can be done by yourself and others by a technician*.

	USER	TECHNICIAN	STOVE	AIR	HYDRO	DAILY**	WEEKLY***	500 kg**	ANNUAL
1	MANUAL								
2	PELLETS*								
3	START (STOP)								
4	ADVANCED								
5	ALARM								
6	LIST OF ALARMS								
7	ALARM* RESET								
8	CLEANING								
	Clean burner		●	●	●	✓			
	Purge turbochargers and scrape exchange		●	●	●	✓			
	Clean the hatch compartment		●	●	●				
	Clean ash container		●	●	●				
	Clean smoke circuit and turbochargers		●	●	●		✓	✓	
	Vacuum pellet tank sensor		●	●	●		✓	✓	✓
	Check pressure of the operation vessel		●	●	●				✓
	Check safety valve 3 bar		●	●	●				✓
	Check the fluid on the hydraulic circuit		●	●	●				✓
	Clean the smoke extractor		●	●	●				✓
	Check and clean the inspection T		●	●	●				✓
	Clean chimney		●	●	●				✓

* When changing pellets brand it might be necessary to adjust combustion settings. If necessary, please call a technician. ** Depends on the quality of pellets. *** In each 500 kg of pellets burned. — To perform the operation please call your technician. Operation not covered by warranty.

Figure 126 - Maintenance guide label

27. Electrical Diagram of the Free-Standing Fire Unit

27.1. Electrical Diagram – Not applicable to Columbus electronics

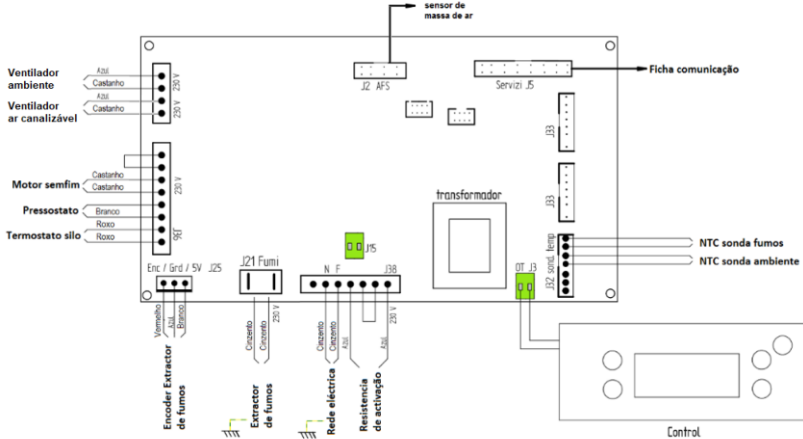


Figure 127 - Electrical diagram

27.2. Electrical Diagram – Applicable to Columbus electronics

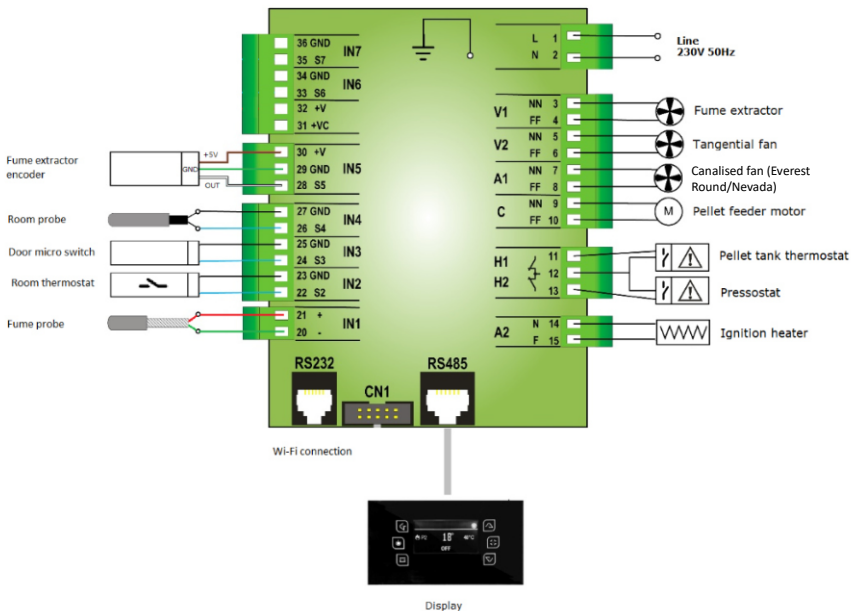


Figure 128 - Electrical diagram (Columbus electronics)

28. Life Cycle of a Free-Standing Fire Unit

Approximately 90% of the materials used to manufacture these units are recyclable, contributing towards a reduced environmental impact and a more sustainable planet. End-of-life units should be processed by licensed waste operators. We recommend contacting your local council to ensure the unit is collected and handled pursuant to any legal requirements.

29. Warranty

29.1. Model-specific conditions

This model requires that the unit is subject to start-up for the warranty to be to activated. The start-up service can only be performed by technical services authorised by the manufacturer. This is mandatory before the unit reaches 100 service hours. The final user is responsible for any expenses related to the start-up service.

To activate the warranty, it is necessary to send the completed start-up form to the following email: apoio.cliente@solzaima.pt.

29.2. Warranty general conditions

1. Social name and address of the producer and Object

Solzaima, S.A.

Rua dos Outarelos, 111

3750-362 Belazaima do Chão

This document does not substantiate the provision by Solzaima S.A. of a voluntary warranty on its produced and marketed products (from now on mentioned as "Product (s)"), but rather a guide, intended to be enlightening for the effective activation of the legal warranty that benefits consumers (from now on mentioned as "Warranty"). This document does not affect the legal rights of warranty, emerging from the purchase agreement whose purpose is the Product(s).

2. Product identification on which rests the warranty

The activation of the warranty presupposes prior and correct identification of the product object towards Solzaima, SA, being promoted by providing the Product 's packing data indicated in the purchase invoice or in the product characteristics plate (model and serial number).

3. Product warranty terms

3.1 Solzaima, S.A., responds to the Buyer, for the lack of conformity of the Product with the respective contract of sale, within the following periods:

3.1.1 A period of 24 months from the date of delivery of the good, in the case of domestic use of the product, save the provisions of the following number regarding the intensive use;

3.1.2 A term of 6 months from the date of delivery of the goods, in the case of professional, or industrial, or intensive use of the products - Solzaima means by professional, industrial or intensive use of all products installed in industrial spaces, commercial, or whose use exceeds 1500 hours per calendar year;

3.2 A functional test of the product must be performed before finishing the installation (plaster, masonry, coatings, paintings, among others);

3.3 No equipment can be replaced after the 1st Burn without the express authorization of the producer;

3.4 Any product must be repaired on the site of installation without causing serious inconvenience to the parties, save, if this proves impossible, or disproportionate;

3.5 In order to exercise its rights, and provided that the term indicated in 3.1 is not exceeded, the Buyer must report in writing to Solzaima, S.A., the lack of conformity of the Product within a maximum period of:

3.5.1 60 (sixty) days after the date on which it has detected it in the case of domestic use of the product;

3.5.2 Thirty (30) days from the date of its detection, in the case of professional use of the Product.

3.6 In the pellet range equipment's, the commissioning service is required to activate the warranty. It must be registered up to 3 months after the date of invoice, or, 100 hours of work of the product (whichever occurs first);

3.7 During the Warranty period referred to in paragraph 3.1 (and for this to remain valid), repairs to the Product must be performed exclusively by the Official Technical

Services of the Brand. All services provided under this Guarantee will be performed Monday through Friday within the working time and calendar legally established in each region.

3.8 All requests for assistance must be submitted to the Solzaima, S.A. Customer support service, by means of a proper form present on the Website www.solzaima.co.uk, or, e-mail: support.ciente@solzaima.pt. At the time of the technical assistance to the Product, the Buyer must present, as proof of the Product Warranty, the purchase invoice of the same or another document demonstrating its acquisition. In any case, the document proving the acquisition of the Product must contain the identification of the Product (as mentioned in point 2 above) and its date of acquisition. Alternatively, and in order to validate the Product Warranty, the PSR - document certifying the commissioning of the machine (when applicable)).

3.9 The Product will have to be installed by a qualified professional for the purpose, in accordance with the regulations in force in each geographical area, for the installation of these Products and complying with all the regulations in force, especially regarding chimneys, as well as other applicable regulations for aspects such as water supply, electricity and / or other related to the equipment or sector and as described in the instruction manual.

A product installation that does not conform to the manufacturer's specifications and / or does not comply with the legal regulations on this subject will not give rise to the application of this Warranty. Whenever a product is installed outdoors, it must be protected against weather effects such as rain and wind. In these cases, it may be necessary to protect the appliance by means of a cabinet, or a properly ventilated protective case. Appliances should not be installed in places that contain chemicals in their atmosphere, in saline or high humidity environments, as mixing them with air may produce rapid corrosion in the combustion chamber. In this type of environment, it is especially recommended that the appliance be protected with anti-corrosion products for this purpose, especially during times of operation. As a suggestion it is indicated the application of graphite greases indicated for high temperatures with function of lubrication and anti-corrosion protection.

3.10 In equipment belonging to the pellet family, in addition to the daily and weekly maintenance contained in the instruction manual, it is also obligatory to carry out the cleaning inside and in the

respective chimney for the evacuation of fumes. These tasks should be carried out every 600-800 kg of pellets consumed, in the case of stoves (air and water) and compact boilers, and every 2000-3000 kg of pellets consumed in the case of automatic boilers. In the event that these quantities are not consumed, at least one systematic preventive maintenance must be carried out annually.

3.11 It is the Buyer's responsibility to ensure that periodic maintenance is carried out, as indicated in the instruction and handling manuals accompanying the Product. Whenever requested, it must be proved by submitting the technical report of the entity responsible for it, or alternatively by registering them in the instruction manual in the dedicated section.

3.12 In order to avoid damage to the equipment caused by overpressure, safety elements such as pressure relief valves and / or thermal discharge valves, if applicable, as well as an expansion vessel fitted to the installation, shall be ensured at the time of installation and its correct functioning must be ensured. It should be noted that: the valves referenced must have a value equal to or less than the pressure supported by the equipment; there shall be no cut-off valve between the equipment and its safety valve; provision should be made for a systematic preventive maintenance plan to attest to the correct functioning of the said safety features; irrespective of the type of appliance, all safety valves shall be channeled to drained sewage to prevent damage to the dwelling by water discharges. Product Warranty does not include damages caused by non-channeling of water discharged by said valve.

3.13 In order to avoid damage to the equipment and attached pipes by galvanic corrosion, it is advisable to use dielectric separators in the connection of the equipment to metal pipes whose characteristics of the materials applied to this type of corrosion. Product Warranty does not include damages caused by non-use of such dielectric separators.

3.14 The water or thermofluid used in the heating system (hydro stoves, boilers, central heating stoves, among others) must comply with the legal requirements in force, as well as guarantee the following physical and chemical characteristics: absence of solid particles in suspension; low level of conductivity; residual hardness of 5 to 7 degrees; neutral pH, close to 7; low concentration of chlorides and iron; and absence

of air inlets by depression or others. In case the installation enhances automatic water make-up, it should consider upstream a preventive treatment system composed of filtration, decalcification and preventive dosing of polyphosphates (scale and corrosion), as well as a degassing step, if necessary. If in any circumstance any of these indicators show values that are not recommended, the Warranty will cease to have effect. It is also compulsory to place a non-return valve between the automatic filling valve and the mains water supply, and that said supply always has constant pressure, even with a lack of electricity, not depending on lift pumps, autoclaves, or others.

3.15 Except as expressly provided by law, a warranty intervention does not renew the warranty period of the Product. The rights arising from the Warranty are not transferable to the purchaser of the Product.

3.16 The equipment must be installed in accessible places and without risk to the technician. The means necessary for access to them shall be made available by the Buyer, and the Buyer shall be responsible for any charges arising therefrom.

3.17 The Warranty is valid for the Products and equipment sold by Solzaima SA solely and exclusively within the geographical and territorial zone of the country where the Product was sold by Solzaima.

4. Circumstances that exclude the application of the Warranty

Excluded from the Warranty, being the total cost of the repair borne by the Buyer, the following cases:

4.1. Products with more than 2000 operating hours;

4.2. Refurbished and resold products;

4.3. Maintenance operations, Product settings, commissioning, cleaning, elimination of errors or anomalies that are not related to deficiencies of equipment components and replacement of the batteries;

4.4. Components in direct contact with fire such as: vermiculite supports, deflector or protective plates, vermiculite, sealing lanyards, burners, ash drawers, wood chips, smoke registers, ash grates, whose wear is directly related to the conditions of use. Degradation of the paint, as well as corrosion due to degradation of the paint, due to overloading of fuel, use of an open drawer or excessive drainage of the installation chimney (the chimney must respect the drawing recommended in the Product Technical Data Sheet). Glass breakage due to improper handling or other reason not related to Product deficiency. In the pellet family, the ignitors are aware part, so they are only guaranteed for 6 months, or 1000 ignitions (whichever comes first);

4.5. Wear considered components, such as bearings and bushes;

4.6. Deficiencies of components external to the Product that may affect its correct functioning, as well as material or other damages (eg tiles, roofing, waterproofing, pipes, or personal injury) caused by improper use of materials in the installation or by non-execution of the product installation in accordance with the rules for the installation, applicable regulations or rules of good art, in particular when the application of suitable piping to the temperature in use, expansion vessels, non-return valves, safety valves , anti-condensation valves, among others;

4.7. Products whose operation has been affected by failures or deficiencies of external components or by poor sizing;

4.8. Defects caused by the use of accessories or replacement components other than those determined by Solzaima, S.A.;

4.9. Defects arising from non-compliance with the installation, use and operation instructions or applications not conforming to the intended use of the Product, or from abnormal climatic factors, unusual operating conditions, overload or maintenance or cleaning performed improperly;

4.10. The Products that have been modified or manipulated by people outside the Official Technical Services of the brand and consequently without the explicit authorization of Solzaima, SA.;

4.11. Damage caused by external agents (rodents, birds, spiders, etc.), atmospheric and / or geological phenomena (earthquakes, storms, frost, hailstorms, thunderstorms, etc.), humid or saline aggressive environments such as proximity of the sea or river, as well as those derived from excessive water pressure, inadequate power supply (voltage with variations greater than 10%, with a nominal value of 230V, or, neutral voltage greater than 5V, or absence of earth protection); pressure or supply of inadequate circuits, acts of vandalism, urban confrontation and armed conflict of any kind, as well as derivatives;

4.12. Failure to use the fuel recommended by the manufacturer is a condition of exclusion from the Warranty.;

Explanatory note: In the case of pellet appliances the used fuel must be certified by EN 14961-2 grade A1. Also, before buying large quantity you should test the fuel to see how it behaves. In wood equipment, this moisture content must be of less than 20%.

4.13. The appearance of condensation, either by poor installation or by the use of non-virgin fuels (such as pallets or wood impregnated with paints or varnishes, salt or other components), which may contribute to the accelerated degradation of equipment and especially to your combustion chamber;

4.14. All Products, Components or damaged components in transportation or installation;

4.15. Cleaning operations carried out on the appliance or its components due to condensation, fuel quality, bad settings or other circumstances of the installation location. Also excluded from the Warranty are interventions for the descalsification of the Product (the removal of limestone or other materials deposited inside the apparatus and produced by the quality of the water supply). Also excluded from this warranty are air bleeding interventions of the circuit or unblocking of circulating pumps.

4.16. The installation of the equipment supplied by Solzaima, S.A. should contemplate the possibility of their easy removal, as well as points of access to the mechanical, hydraulic and electronic components of the equipment and the installation.

When the installation does not allow immediate and safe access to the equipment, the additional cost of access and security will always be borne by the Buyer. The cost of disassembling and assembling boxes of plasterboard or masonry walls, insulation or other elements such as chimneys and hydraulic connections that prevent free access to the Product (if the Product is installed inside a carton of plasterboard, masonry or other dedicated space must comply with the dimensions and characteristics indicated in the instruction manual and use accompanying the appliance).

4.17. Interventions of information or clarification at home about the use of its heating system, programming and / or reprogramming of control and regulating elements, such as thermostats, regulators, programmers, etc.;

4.18. Interventions for the adjustment of fuel receipts in pellet devices, cleaning, detection of water leaks in pipes external to the apparatus, damage caused due to the need to clean the gas evacuation machinery or flues;

4.19. Urgency interventions not included in the provision of Warranty ie, weekend and holiday interventions because they are special interventions not included in the Guarantee coverage and which therefore have an additional cost, will be carried out exclusively on request expressed by the Buyer and upon the availability of the Producer.

5. Warranty Inclusion

Solzaima, S.A. will correct without any charge to the Buyer the defects covered by the Warranty through the repair of the Product. The replaced Products or Components shall become the property of Solzaima, S.A.

6. Responsibility of Solzaima, S.A

Notwithstanding legally established, Solzaima, S.A., liability in respect of warranty is limited to that established in the present warranty conditions.

7. Cost of Services performed outside the scope of the warranty

The interventions carried out outside the scope of the warranty are subject to the application of the current tariff.

8. Warranty Services performed out of scope Warranty

The interventions carried out outside the scope of the Warranty and carried out by the official technical assistance service of Solzaima have a 6-month guarantee.

9. Warranty Spare Parts provided by Solzaima

The parts supplied by Solzaima, as part of the commercial sale of spare parts, i.e., not incorporated in the equipment, have no guarantee.

10. Replaced Parts under the of Scope Technical Service

From the moment they are removed from the equipment, the Parts used are considered as waste. Solzaima as a producer of waste in the scope of its activity is obliged by the legislation in force to deliver them to a licensed entity that performs the proper waste management operations under the law and therefore is prevented from giving them another destination, whatever. Therefore, the customer will be able to see the used parts resulting from the assistance, but cannot keep them in their possession.

11. Administrative expenses

In the case of invoices for services rendered, they are not processed in any stipulated period with default interest at the maximum legal rate in force.

12. Competent court

For the resolution of any dispute arising from the purchase and sale agreement having as object the products covered by the warranty, the contracting parties attribute exclusive jurisdiction to the courts of the district of Águeda, with express waiver of any other.

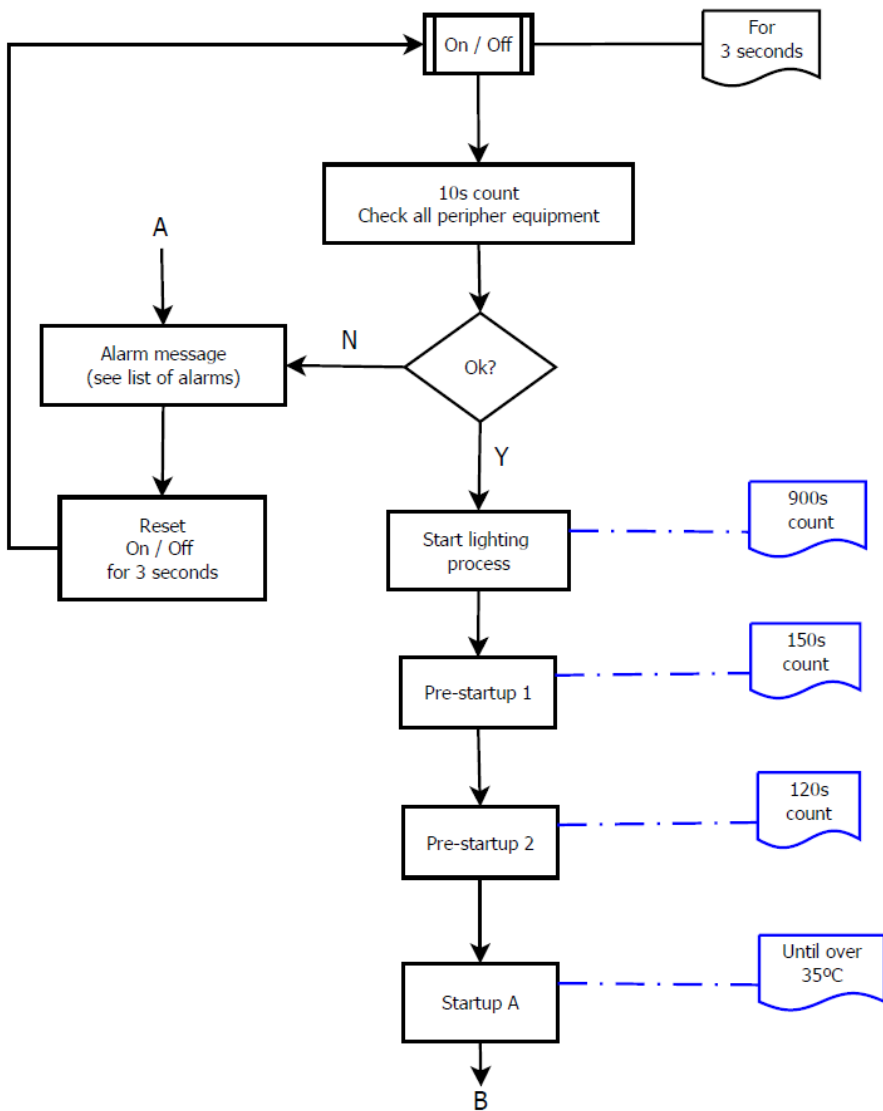
30. Annexes

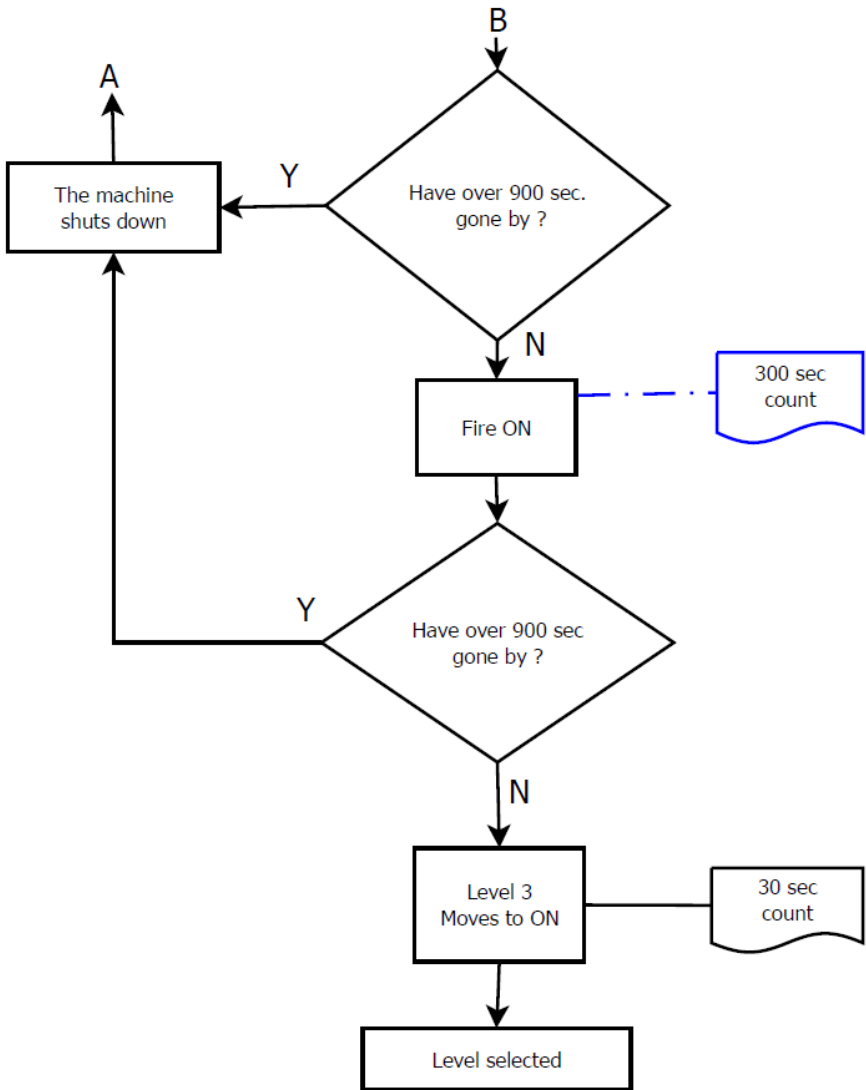
Timer weekly programming (Not applicable to Columbus electronics)

Prog No.	Days	Daily programming																							
		0	1	2	3	4	5	6	7	8	9	10	11	12	13	14	15	16	17	18	19	20	21	22	23
P01	Mon-Fri																								
	Sat-Sun																								
P02	Mon-Fri																								
	Sat-Sun																								
P03	Mon-Fri																								
	Sat-Sun																								
P04	Mon-Fri																								
	Sat-Sun																								
P05	Mon-Fri																								
	Sat-Sun																								
P06	Mon-Fri																								
	Sat-Sun																								
P07	Mon-Fri																								
	Sat-Sun																								
P08	Mon-Fri																								
	Sat-Sun																								
P09	Mon-Fri																								
	Sat-Sun																								
P10	Fri																								
	Sat-Sun																								

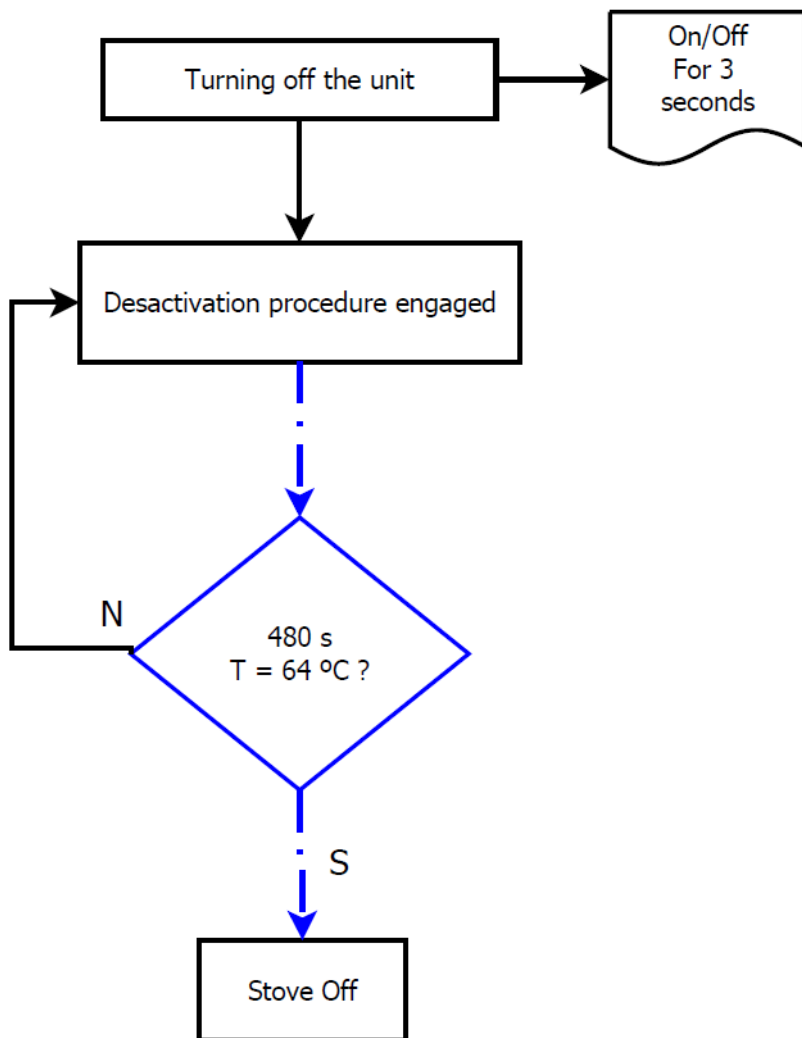
- **Flow chart Nevada**

Flow chart 1 – Lighting



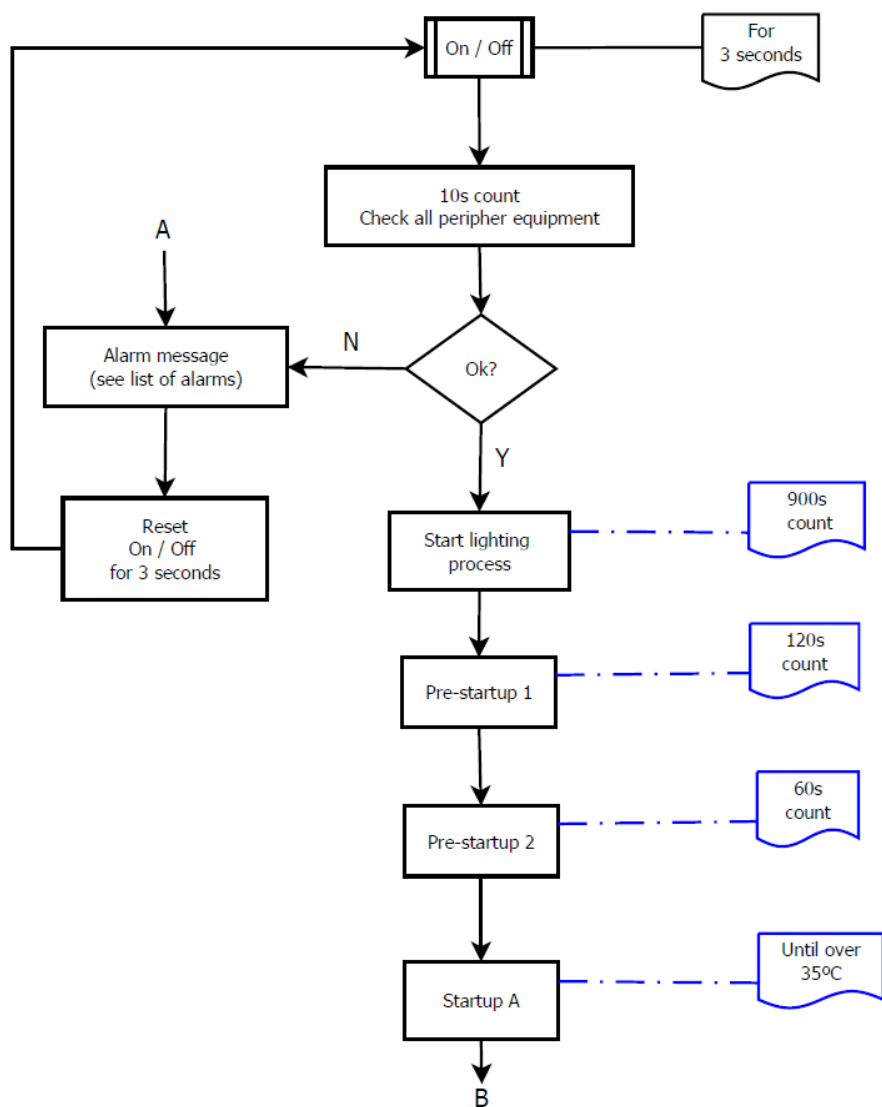


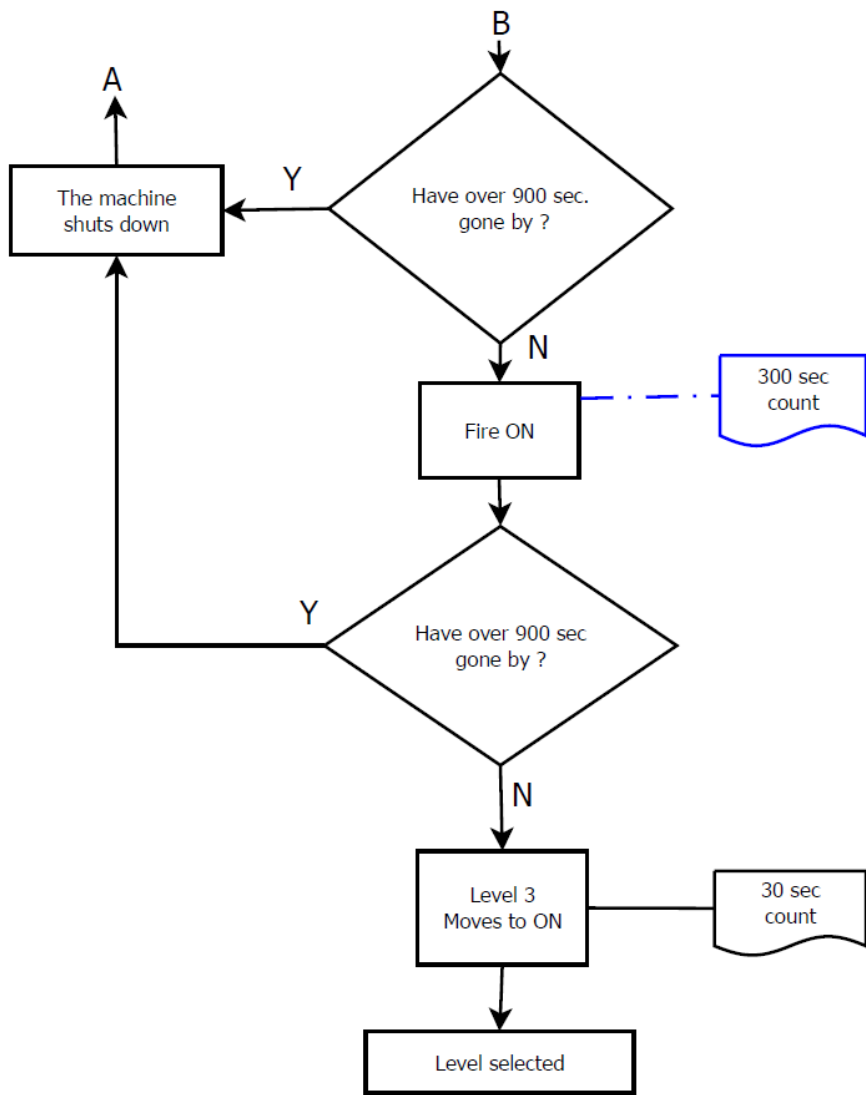
Flow chart 2 – Disabling



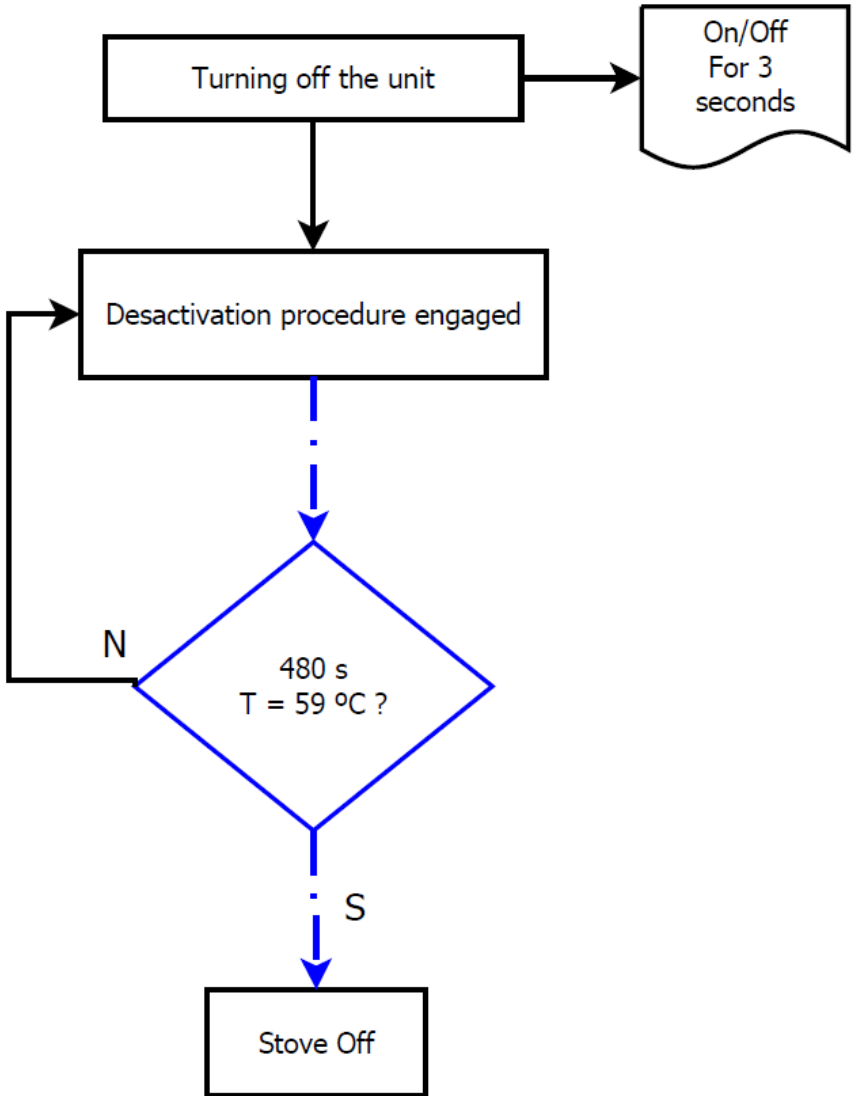
- **Flow chart Everest**

Flow chart 1 – Lighting



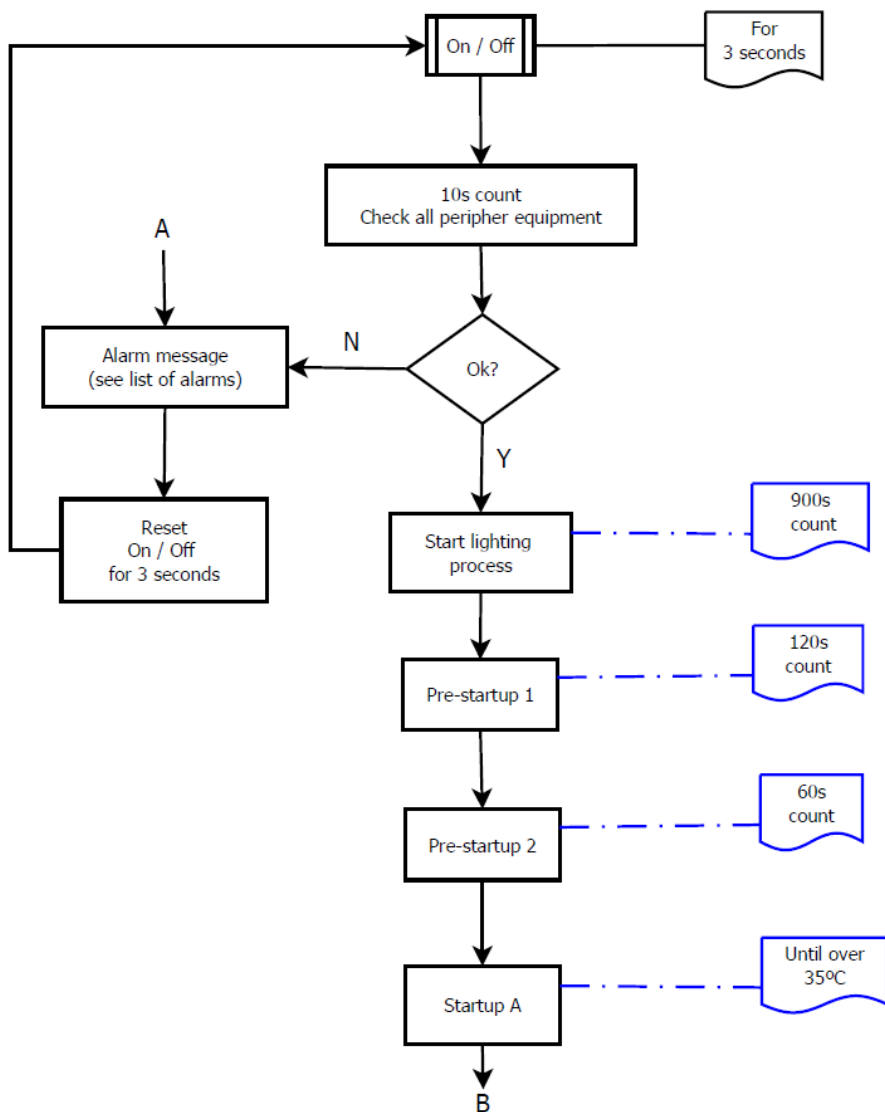


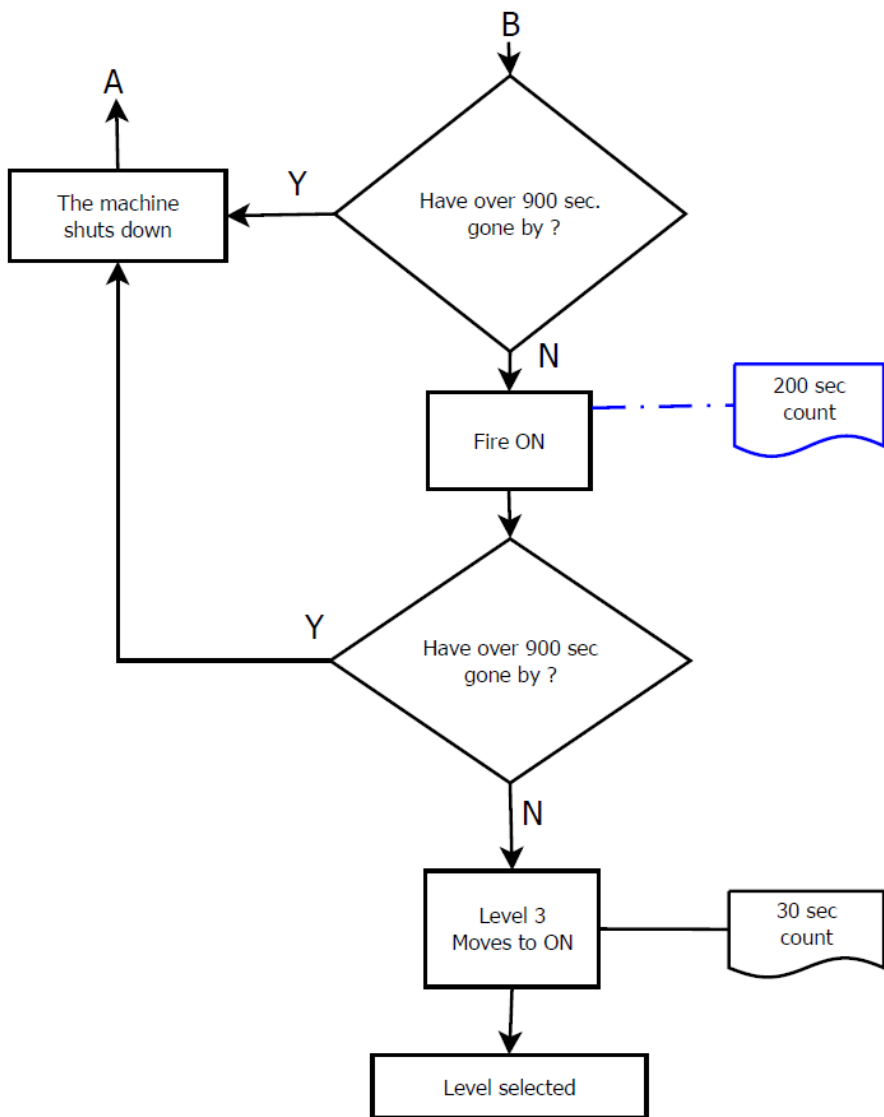
• Flow chart 2 – Disabling



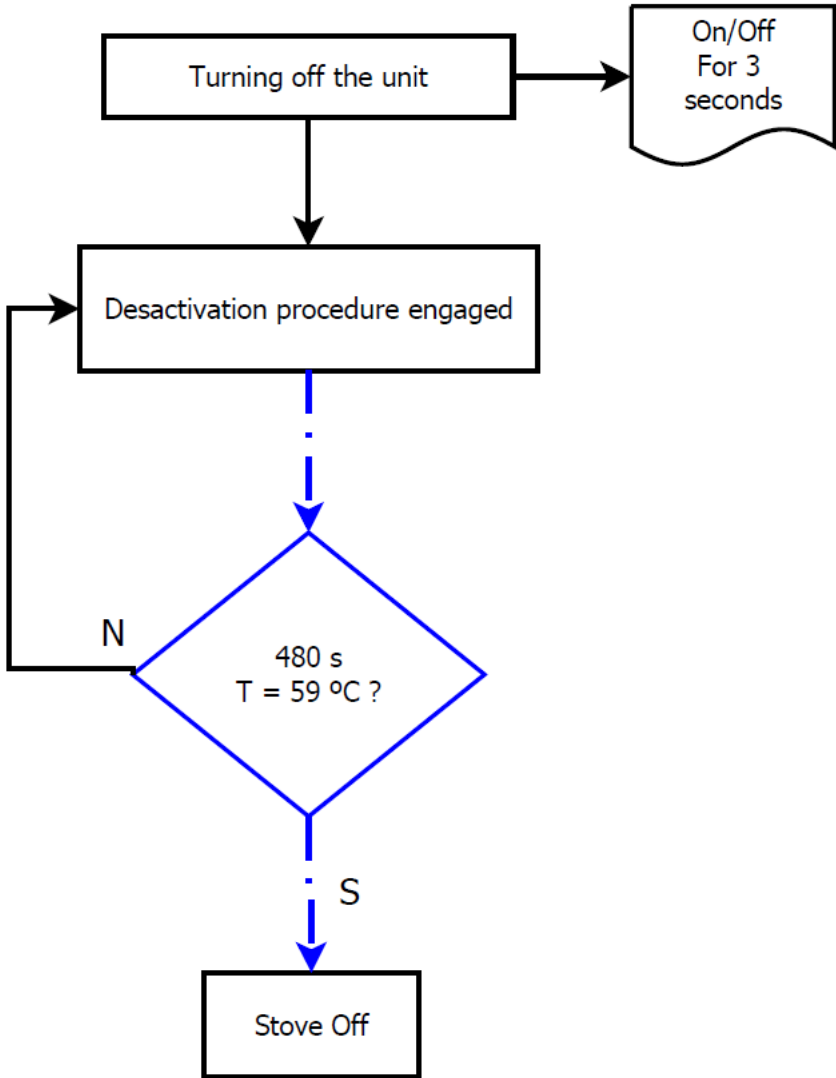
- **Flow chart Everest Round**

Flow chart 1 – Lighting





• Flow chart 2 – Disabling



31. Statement of Performance

31.1. Statement of Performance Nevada

DECLARAÇÃO DE DESEMPENHO | DECLARACIÓN PRESTACIONES | DECLARATION OF PERFORMANCE | DÉCLARATION DE PERFORMANCE |
DICHIARAZIONE DELLE PRESTAZIONI

Nº DD-058

1. Código de identificação único do produto-tipo | Código de identificación único del tipo de producto | Unique identification code of the product type | Le code d'identification unique du type de produit | Codice unico di identificazione del tipo di prodotto

NEVADA 8 kW – EAN 05600990425521

NEVADA 8 kW PORTA VIDRO – EAN 05600990434301

2. Número do tipo, lote ou série do produto | Número de tipo, lote o serie del producto | Number of type, batch or serial product | Nombre de type, de lot ou de série du produit | Numero di tipo, di lotto, di serie del prodotto

3. Utilização prevista | Uso previsto | Intended use | Utilisation prévue | Destinazione d'uso

AQUECIMENTO DE EDIFÍCIOS DE HABITAÇÃO | CALEFACCIÓN DE EDIFICIOS RESIDENCIALES | HEATING OF RESIDENTIAL BUILDINGS |
CHAUFFAGE DE BATIMENTS RESIDENTIELS | RISCALDAMENTO DEGLI EDIFICI RESIDENZIALI

4. Nome, designação comercial registada e endereço de contacto do fabricante | Nombre, marca registrada y la dirección de contacto de lo fabricante | Name, registered trade name and contact address of the manufacturer | Nom, marque déposée et l'adresse de contact du fabricant | Nome, denominazione commerciale registrata e Indirizzo del costruttore

SOLZAIMA, SA

RUA DOS OUTARELOS, Nº 111

3750-362 BELAZAIMA DO CHÃO – ÁGUEDA – PORTUGAL

5. Sistema de avaliação e verificação da regularidade do desempenho do produto | Sistema de evaluación y verificación de constancia de las prestaciones del producto | System of assessment and verification of constancy of the product | Système d'évaluation et de vérification de la Constance des performances du produit | Sistema di valutazione e verifica della costanza della prestazione del prodotto

SISTEMA 3

6. Norma Harmonizada | Estandár armonizado | Harmonized standard | Norme harmonisée | Standard armonizzata

EN 14785

7. Nome e número de identificação do organismo notificado | Nombre y número de identificación del organismo notificado | Name and identification number of the notified body | Nom et numéro d'identification de l'organisme notifié | Nome e numero di identificazione dell'organismo notificato

CEIS – CENTRO DE ENSAYOS INOVACION Y SERVICIOS

NB: 1722

8. Relatório de ensaio | Informe de la prueba | Test report | Rapport d'essai | Rapporto di prova

CEE-0008/18-2

CEE-0009/18-2

<p>Características essenciais Características esenciales Essential characteristics Caractéristiques essentielles Caratteristiche essenziali</p>	<p>Desempenho Desempeño Performance Prestazione</p>	<p>Especificações técnicas harmonizadas Especificaciones técnicas armonizadas Harmonized technical specifications Spécifications techniques harmonisées Specifiche tecniche armonizzate</p>
<p>Segurança contra incêndio Seguridad contra incendios Fire safety Sécurité incendie Sicurezza antincendio</p>	<p>OK. De acordo com relatório de ensaio De acuerdo com informe de la prueba According to the test report Selons le rapport d'essai Secondo i rapporto di prova CEE-0008/18-2 CEE-0009/18-2</p>	<p>De acordo com os requisitos De acuerdo con los requisitos According to the requirements Selons les exigences Secondo i requisiti 4.2, 4.3, 4.7, 4.8, 4.10, 4.11, 5.1, 5.3, 5.4, 5.5, 5.8 (EN14785)</p>
<p>Emissão de produtos da combustão La emisión de productos de combustión Emission of combustion products Emission des produits de combustion Emissione dei prodotti di combustione</p>	<p>OK. Caudal térmico nominal Caudal térmico nominale Nominal heat output Le débit calorifique nominal Nominal heat output Flusso termico nominale –CO:0,01%</p> <p>OK. Caudal térmico reduzido Flujo térmico reducido Reduced thermal flow Flux thermique réduit Flusso termico ridotto –CO: 0,03%</p>	<p>Caudal térmico nominal Caudal térmico nominale Nominal heat output Le débit calorifique nominal Nominal heat output Flusso termico nominale –CO<0,04%</p> <p>Caudal térmico reduzido Flujo térmico reducido Reduced thermal flow Flux thermique réduit Flusso termico ridotto –CO<0,06%</p>
<p>Libertação de substâncias perigosas Emisión de sustancias peligrosas Release of dangerous substances Dégagement de substances Rilascio di sostanze pericolose</p>	<p>OK. De acordo com relatório de ensaio De acuerdo com informe de la prueba According to the test report Selons le rapport d'essai Secondo i rapporto di prova CEE-0008/18-2 CEE-0009/18-2</p>	<p>De acordo com o Anexo ZA.1 (EN14785) De acuerdo con lo Anexo ZA.1 (EN14785) According to the Annex ZA.1 (EN14785) Selons le Annexe ZA.1 (EN14785) Secondo l'allegato ZA.1 (EN14785)</p>
<p>Temperatura de superfície Temperatura de la superficie Surface temperature La température de surface Temperatura superficiale</p>	<p>OK. De acordo com relatório de ensaio De acuerdo com informe de la prueba According to the test report Selons le rapport d'essai Secondo i rapporto di prova CEE-0008/18-2 CEE-0009/18-2</p>	<p>De acordo com os requisitos De acuerdo con los requisitos According to the requirements Selons les exigences Secondo i requisiti 4.2, 4.13, 5.1, 5.2, 5.4, 5.5 (EN14785)</p>
<p>Segurança eléctrica Seguridad eléctrica Electrical safety Sécurité électrique sicurezza elettrica</p>	<p>OK. De acordo com relatório de ensaio De acuerdo com informe de la prueba According to the test report Selons le rapport d'essai Secondo i rapporto di prova CEE-0008/18-2 CEE-0009/18-2</p>	<p>De acordo com os requisitos De acuerdo con los requisitos According to the requirements Selons les exigences Secondo i requisiti 5.9 (EN14785)</p>
<p>Aptidão para ser limpo Capacidad para ser limpiado Ability to be cleaned Possibilité d'être nettoyé Capacità di essere puliti</p>	<p>OK. De acordo com relatório de ensaio De acuerdo com informe de la prueba According to the test report Selons 158er apport d'essai Secondo i rapporto di prova CEE-0008/18-2 CEE-0009/18-2</p>	<p>De acordo com os requisitos De acuerdo con los requisitos According to the requirements Selons les exigences Secondo i requisiti 4.5, 4.6, 4.10, 4.12 (EN14785)</p>
<p>Temperatura dos gases de combustão Temperatura de los gases de combustión Temperature of the flue gas Température du gaz de fumée Temperatura dato fumi</p>	<p>OK. 137-C</p>	<p>De acordo com os requisitos De acuerdo con los requisitos According to the requirements Selons les exigences Secondo i requisiti 6.2 (EN14785)</p>
<p>Resistência mecânica Resistencia mecánica Mechanical strength résistance Resistenza meccanico</p>	<p>OK. De acordo com relatório de ensaio De acuerdo com informe de la prueba According to the test report Selons le rapport d'essai Secondo i rapporto di prova CEE-0008/18-2 CEE-0009/18-2 A cada 10 m de conduta de fumos deve ser colocado um suporte de</p>	<p>De acordo com os requisitos De acuerdo con los requisitos According to the requirements Selons les exigences Secondo i requisiti 4.2, 4.3(EN14785)</p>

	carga cada 10 m de la salida de humos se debe colocar un soporte de carga every 10 m of the flue should be placed a load support tous les 10 m de conduit de fumée doit être placé un support de charge ogni 10 m della canna fumaria deve essere posto un supporto di carico	
Potência térmica Potencia térmica Thermic output Puisseance thermique Potenza termico	OK. 7 kW	De acordo com os requisitos De acuerdo con los requisitos According to the requirements Selon les exigences Secondo i requisiti 6.1, 6.4 – 6.10 (EN14785)
Rendimento energético Eficiencia energética Energy efficiency L'efficacité énergétique Efficienza energetica	OK. 91,7%	≥ 75% para potência térmica nominal de potencia térmica nominal for rated thermal input Pour puissance thermique nominale di potenza termica nominale
	OK. 95,8%	≥ 70% para potência térmica reduzida la reducción térmica to reduced thermal à la réduction thermique di potenza térmica ridotto
Durabilidade Durabilidad Durability Durabilità Durabilità	OK. De acordo com relatório de ensaio De acuerdo com informe de la prueba According to the test report Selon le rapport d'essai Secondo i rapporti di prova CEE-0008/18-2 CEE-0009/18-2	De acordo com os requisitos De acuerdo con los requisitos According to the requirements Selon les exigences Secondo i requisiti 4.2 (EN14785)

10. Distância mínima a materiais combustíveis (laterais/frente/topo) | Distancia mínima a materiales combustibles (laterales/frente/topo) | Minimum distance to combustible materials (side/front/top) | Distance minimale aux matériaux combustibles (côte/avant/haut) | Distanza minima da materiali combustibili (lato/anteriore/top)

(200 mm / 1500 mm / 1000 mm)

11. O desempenho do produto declarado nos pontos 1 e 2 é conforme com o desempenho declarado no ponto 9. A presente declaração de desempenho é emitida sob exclusiva responsabilidade do fabricante identificado no ponto 4. | El funcionamiento del producto se indica en los puntos 1 y 2 es compatible con las prestaciones declaradas en el punto 9. La presente declaración se expide bajo la exclusiva responsabilidad del fabricante identificado en lo punto 4. | Performance of the product stated in points 1 and 2 is consistent with the declared performance in point 9. This declaration of performance is issued under the sole responsibility of the manufacturer identified in point 4. | Les performances du produit indiqué dans les points 1 et 2 est compatible avec les performances declares au point 9. Cette déclaration de performance est établie sous la seule responsabilité du fabricant identifié dans le point 4. | Le prestazioni dei prodotti indicati ai punti 1 e 2 è conforme alla prestazione dichiarata al punto 9. Questa dichiarazione di prestazione è rilasciata sotto l'esclusiva responsabilità del fabbricante di cui al punto 4

Nome e cargo | Nombre y cargo | Name and title | Nom et titre | Nome e titolo Belazaima do Chão, 25/10/2019

Nuno Sequeira (Director Geral | CEO)

31.2. Statement of Performance Everest

DECLARAÇÃO DE DESEMPENHO | DECLARACIÓN PRESTACIONES | DECLARATION OF PERFORMANCE | DÉCLARATION DE PERFORMANCE | DICHIARAZIONE DELLE PRESTAZIONI

N.º DD-035

1. Código de identificação único do produto-tipo | Código de identificación único del tipo de producto | Unique identification code of the product type | Le code d'identification unique du type de produit | Codice unico di identificazione del tipo di prodotto

EVEREST – EAN 05600990434431

2. Número do tipo, lote ou série do produto | Número de tipo, lote o serie del producto | Number of type, batch or serial product | Nombre de type, de lot ou de série du produit | Numero di tipo, di lotto, di serie del prodotto

3. Utilização prevista | Uso previsto | Intended use | Utilisation prévue | Destinazione d'uso

AQUECIMENTO DE EDIFÍCIOS DE HABITAÇÃO | CALEFACCIÓN DE EDIFICIOS RESIDENCIALES | HEATING OF RESIDENTIAL BUILDINGS | CHAUFFAGE DE BATIMENTS RESIDENTIELS | RISCALDAMENTO DEGLI EDIFICI RESIDENZIALI

4. Nome, designação comercial registada e endereço de contacto do fabricante | Nombre, marca registrada y la dirección de contacto de lo fabricante | Name, registered trade name and contact address of the manufacturer | Nom, marque déposée et l'adresse de contact du fabricant | Nome, denominazione commerciale registrata e Indirizzo del costruttore

SOLZAIMA, SA
RUA DOS QUITARELOS, N.º 111
3750-362 BELAZAIMA DO CHÃO – ÁGUEDA – PORTUGAL

5. Sistema de avaliação e verificação da regularidade do desempenho do produto | Sistema de evaluación y verificación de constancia de las prestaciones del producto | System of assessment and verification of constancy of the product | Système d'évaluation et de vérification de la Constance des performances du produit | Sistema di valutazione e verifica della costanza della prestazione del prodotto

SISTEMA 3

6. Norma Harmonizada | Estandár armonizado | Harmonized standard | Norme harmonisée | Standard armonizzata

EN 14785

7. Nome e número de identificação do organismo notificado | Nombre y número de identificación del organismo notificado | Name and identification number of the notified body | Nom et numéro d'identification de l'organisme notifié | Nome e numero di identificazione dell'organismo notificato

CEIS – Centro de ensayos innovación y servicios
NB: 1722

8. Relatório de ensaio | Informe de la prueba | Test report | Rapport d'essai | Rapporto di prova

CEE-0008/18-2
CEE-0009/18-2

9. Desempenho declarado | Desempeño declarado | Declared performance | Performance déclarée | Dichiarazione di prestazione

<p>Características essenciais Características esenciales Essencial characteristics Caractéristiques essentielles Caratteristiche essenziali</p>	<p>Desempenho Desempeño Performance Prestazione</p>	<p>Especificações técnicas harmonizadas Especificaciones técnicas armonizadas Harmonized technical specifications Spécifications techniques harmonisées Specifiche tecniche armonizzate</p>
<p>Segurança contra incêndio Seguridad contra incendios Fire safety Sécurité incendie Sicurezza antincendio</p>	<p>OK. De acordo com relatório de ensaio De acuerdo com informe de la prueba According to the test report Selons le rapport d'essai Secondo i rapporto di prova CEE-0008/18-2 CEE-0009/18-2</p>	<p>De acordo com os requisitos De acuerdo con los requisitos According to the requirements Selons les exigences Secondo i requisiti 4.2, 4.3, 4.7, 4.8, 4.10, 4.11, 5.1, 5.3, 5.4, 5.5, 5.8 [EN14785]</p>
<p>Emissão de produtos da combustão La emisión de productos de combustion Emission of combustion products Emission des produits de combustion Emissione dei prodotti di combustione</p>	<p>OK. Caudal térmico nominal Caudal térmico nominale Nominal heat output Le débit calorifique nominal Nominal heat output Flusso termico nominale –CO:0,01%</p>	<p>Caudal térmico nominal Caudal térmico nominale Nominal heat output Le débit calorifique nominal Nominal heat output Flusso termico nominale –CO:0,04%</p>
	<p>OK. Caudal térmico reduzido Flujo térmico reducido Reduced thermal flow Flux thermique réduit Flusso termico ridotto –CO: 0,03%</p>	<p>Caudal térmico reduzido Flujo térmico reducido Reduced thermal flow Flux thermique réduit Flusso termico ridotto –CO:0,06%</p>
<p>Libertação de substâncias perigosas Emisión de sustancias peligrosas Release of dangerous substances Dégagement de substances Rilascio di sostanze pericolose</p>	<p>OK. De acordo com relatório de ensaio De acuerdo com informe de la prueba According to the test report Selons le rapport d'essai Secondo i rapporto di prova CEE-0008/18-2 CEE-0009/18-2</p>	<p>De acordo com o Anexo ZA.1 [EN14785] De acuerdo con lo Anexo ZA.1 [EN14785] According to the Annex ZA.1 [EN14785] Selons le Annexe ZA.1 [EN14785] Secondo l'allegato ZA.1 [EN14785]</p>
<p>Temperatura de superfície Temperatura de la superficie Surface temperature La température de surface Temperatura superficiale</p>	<p>OK. De acordo com relatório de ensaio De acuerdo com informe de la prueba According to the test report Selons le rapport d'essai Secondo i rapporto di prova CEE-0008/18-2 CEE-0009/18-2</p>	<p>De acordo com os requisitos De acuerdo con los requisitos According to the requirements Selons les exigences Secondo i requisiti 4.2, 4.13, 5.1, 5.2, 5.4, 5.5 [EN14785]</p>
<p>Segurança elétrica Seguridad eléctrica Electrical safety Sécurité électrique Sicurezza elettrica</p>	<p>OK. De acordo com relatório de ensaio De acuerdo com informe de la prueba According to the test report Selons le rapport d'essai Secondo i rapporto di prova CEE-0008/18-2 CEE-0009/18-2</p>	<p>De acordo com os requisitos De acuerdo con los requisitos According to the requirements Selons les exigences Secondo i requisiti 5.9 [EN14785]</p>
<p>Aptidão para ser limpo Capacidad para ser limpiado Ability to be cleaned Possibilité d'être nettoyé Capacità di essere puliti</p>	<p>OK. De acordo com relatório de ensaio De acuerdo com informe de la prueba According to the test report Selons le rapport d'essai Secondo i rapporto di prova CEE-0008/18-2 CEE-0009/18-2</p>	<p>De acordo com os requisitos De acuerdo con los requisitos According to the requirements Selons les exigences Secondo i requisiti 4.5, 4.6, 4.10, 4.12 [EN14785]</p>
<p>Temperatura dos gases de combustão Temperatura de los gases de combustion Temperature of the flue gas Température du gaz de fumée Temperatura dato fumi</p>	<p>OK. 129°C</p>	<p>De acordo com os requisitos De acuerdo con los requisitos According to the requirements Selons les exigences Secondo i requisiti 6.2 [EN14785]</p>

Resistência mecânica Resistencia mecânica Mechanical strength résistance Resistenza meccanico	OK. De acordo com relatório de ensaio De acuerdo con informe de la prueba According to the test report Selons le rapport d'essai Secondo i rapporto di prova CEE-0008/18-2 CEE-0009/18-2. A cada 10 m de conduta de fumos deve ser colocado um suporte de carga cada 10 m de la salida de humos se debe colocar un soporte de carga every 10 m of the flue should be placed a load support tous les 10 m de conduit de fumée doit être placé un support de charge ogni 10 m della canna fumaria deve essere posto un supporto dicarico	De acordo com os requisitos De acuerdo con los requisitos According to the requirements Selons les exigences Secondo i requisiti 4.2, 4.3(EN14785)
Potência térmica Potencia térmica Thermic output Puissance thermique Potenza termico	OK. 6,5 KW	De acordo com os requisitos De acuerdo con los requisitos According to the requirements Selons les exigences Secondo i requisiti 6.1, 6.4 - 6.10 (EN14785)
Rendimento energético Eficiencia energética Energy efficiency L'efficacité énergétique Efficienza energetica	OK. 91%	≥ 75% para potência térmica nominal de potencia térmica nominal for rated thermal input Pour puissance thermique nominale di potenza termica nominale
	OK. 96%	≥ 70% para potência térmica reduzida la reducción térmica to reduced thermal à la réduction thermique di potenza térmica ridotto
Durabilidade Durabilidad Durability Durabilité Durabilità	OK. De acordo com relatório de ensaio De acuerdo con informe de la prueba According to the test report Selons le rapport d'essai Secondo i rapporto di prova CEE-0008/18-2 CEE-0009/18-2	De acordo com os requisitos De acuerdo con los requisitos According to the requirements Selons les exigences Secondo i requisiti 4.2 (EN14785)

10. Distância mínima a materiais combustíveis (laterais/frente/topo) | Distancia mínima a materiales combustibles (laterales/frente/topo) | Minimum distance to combustible materials (side/front/top) | Distance minimale aux matériaux combustibles (côte/avant/haut) / Distanza minima da materiali combustibili (lato/anteriore/top)

(200 mm / 1500 mm / 1000 mm / 100 mm)

11. O desempenho do produto declarado nos pontos 1 e 2 é conforme com o desempenho declarado no ponto 9. A presente declaração de desempenho é emitida sob exclusiva responsabilidade do fabricante identificado no ponto 4. | El funcionamiento del producto se indica en los puntos 1 y 2 es compatible con las prestaciones declaradas en el punto 9. La presente declaración se expide bajo la exclusiva responsabilidad del fabricante identificado en lo punto 4. | Performance of the product stated in points 1 and 2 is consistent with the declared performance in point 9. This declaration of performance is issued under the sole responsibility of the manufacturer identified in point 4. | Les performances du produit indiqué dans les points 1 et 2 est compatible avec les performances declares au point 9. Cette déclaration de performance est établie sous la seule responsabilité du fabricant identifié dans le point 4. | Le prestazioni dei prodotti indicati ai punti 1 e 2 è conforme alla prestazione dichiarata al punto 9. Questa dichiarazione di prestazione è rilasciata sotto l'esclusiva responsabilità del fabbricante di cui al punto 4

Nome e cargo | Nombre y cargo | Name and title | Nom et titre | Nome e titolo

Belazaima do Chão, 25/10/2019

Nuno Sequeira (Director Geral | CEO)

31.3. Statement of Performance Everest Round

DECLARAÇÃO DE DESEMPENHO | DECLARACIÓN PRESTACIONES | DECLARATION OF PERFORMANCE | DÉCLARATION DE PERFORMANCE | DICHIARAZIONE DELLE PRESTAZIONI

Nº DD-065

1. Código de identificação único do produto-tipo | Código de identificación único del tipo de producto | Unique identification code of the product type | Le code d'identification unique du type de produit | Codice unico di identificazione del tipo di prodotto

*EVEREST ROUND – EAN 05600990457515
EVEREST ROUND PORTA VIDRO – EAN 05600990457515*

2. Número do tipo, lote ou série do produto | Número de tipo, lote o serie del producto | Number of type, batch or serial product | Nombre de type, de lot ou de série du produit | Numero di tipo, di lotto, di serie del prodotto

3. Utilização prevista | Uso previsto | Intended use | Utilisation prévue | Destinazione d'uso

AQUECIMENTO DE EDIFÍCIOS DE HABITAÇÃO | CALEFACCIÓN DE EDIFICIOS RESIDENCIALES | HEATING OF RESIDENTIAL BUILDINGS | CHAUFFAGE DE BATIMENTS RESIDENTIELS | RISCALDAMENTO DEGLI EDIFICI RESIDENZIALI

4. Nome, designação comercial registada e endereço de contacto do fabricante | Nombre, marca registrada y la dirección de contacto de lo fabricante | Name, registered trade name and contact address of the manufacturer | Nom, marque déposée et l'adresse de contact du fabricant | Nome, denominazione commerciale registrata e Indirizzo del costruttore

*SOLZAIMA, SA
RUA DOS OUTARELOS, Nº 111
3750-362 BELAZAIMA DO CHÃO – ÁGUEDA – PORTUGAL*

5. Sistema de avaliação e verificação da regularidade do desempenho do produto | Sistema de evaluación y verificación de constancia de las prestaciones del producto | System of assessment and verification of constancy of the product | Système d'évaluation et de vérification de la Constance des performances du produit | Sistema di valutazione e verifica della costanza della prestazione del prodotto

SISTEMA 3

6. Norma Harmonizada | Estandár armonizado | Harmonized standard | Norme harmonisée | Standard armonizzata

EN 14785

7. Nome e número de identificação do organismo notificado | Nombre y número de identificación del organismo notificado | Name and identification number of the notified body | Nom et numéro d'identification de l'organisme notifié | Nome e numero di identificazione dell'organismo notificato

*CEIS – Centro de ensayos innovación y servicios
NB: 1722*

8. Relatório de ensaio | Informe de la prueba | Test report | Rapport d'essai | Rapporto di prova

CEE-0009/18-2

9. Desempenho declarado | Desempeño declarado | Declared performance | Performance déclarée | Dichiarazione di prestazione

<p>Características esenciales Características esenciales Essential characteristics Caractéristiques essentielles Caratteristiche essenziali</p>	<p>Desempenho Desempeño Performance Prestazione</p>	<p>Especificações técnicas harmonizadas Especificaciones técnicas armonizadas Harmonized technical specifications Spécifications techniques harmonisées Specifiche tecniche armonizzate</p>
<p>Segurança contra incêndio Seguridad contra incendios Fire safety Sécurité incendie Sicurezza antincendio</p>	<p>OK. De acordo com relatório de ensaio De acuerdo com informe de la prueba According to the test report Selons le rapport d'essai Secondo i rapporto di prova CEE-0009/18-2</p>	<p>De acordo com os requisitos De acuerdo con los requisitos According to the requirements Selons les exigences Secondo i requisiti 4.2, 4.3, 4.7, 4.8, 4.10, 4.11, 5.1, 5.3, 5.4, 5.5, 5.8 (EN14785)</p>
<p>Emissão de produtos da combustão La emisión de productos de combustión Emission of combustion products Emission des produits de combustion Emissione dei prodotti di combustione</p>	<p>OK. Caudal térmico nominal Caudal térmico nominal Nominal heat output Le débit calorifique nominal Nominal heat output Flusso termico nominale - CO:0,0095%</p>	<p>Caudal térmico nominal Caudal térmico nominal Nominal heat output Le débit calorifique nominal Nominal heat output Flusso termico nominale - CO<0,04%</p>
	<p>OK. Caudal térmico reduzido Flujo térmico reducido Reduced thermal flow Flux thermique réduit Flusso termico ridotto- CO: 0,05%</p>	<p>Caudal térmico reduzido Flujo térmico reducido Reduced thermal flow Flux thermique réduit Flusso termico ridotto- CO<0,06%</p>
<p>Libertação de substâncias perigosas Emisión de sustancias peligrosas Release of dangerous substances Dégagement de substances Rilascio di sostanze pericolose</p>	<p>OK. De acordo com relatório de ensaio De acuerdo com informe de la prueba According to the test report Selons le rapport d'essai Secondo i rapporto di prova CEE-0009/18-2</p>	<p>De acordo com o Anexo ZA.1 (EN14785) De acuerdo con lo Anexo ZA.1 (EN14785) According to the Annex ZA.1 (EN14785) Selons le Annexe ZA.1 (EN14785) Secondo l'allegato ZA.1 (EN14785)</p>
<p>Temperatura de superfície Temperatura de la superficie Surface temperature La température de surface Temperatura superficiale</p>	<p>OK. De acordo com relatório de ensaio De acuerdo com informe de la prueba According to the test report Selons le rapport d'essai Secondo i rapporto di prova CEE-0009/18-2</p>	<p>De acordo com os requisitos De acuerdo con los requisitos According to the requirements Selons les exigences Secondo i requisiti 4.2, 4.13, 5.1, 5.2, 5.4, 5.5 (EN14785)</p>
<p>Segurança elétrica Seguridad eléctrica Electrical safety Sécurité électrique Sicurezza elettrica</p>	<p>OK. De acordo com relatório de ensaio De acuerdo com informe de la prueba According to the test report Selons le rapport d'essai Secondo i rapporto di prova CEE-0009/18-2</p>	<p>De acordo com os requisitos De acuerdo con los requisitos According to the requirements Selons les exigences Secondo i requisitos 5.9 (EN14785)</p>
<p>Aptidão para ser limpo Capacidad para ser limpiado Ability to be cleaned Possibilité d'être nettoyé Capacità di essere puliti</p>	<p>OK. De acordo com relatório de ensaio De acuerdo com informe de la prueba According to the test report Selons 164er apport d'essai Secondo i rapporto di prova CEE-0009/18-2</p>	<p>De acordo com os requisitos De acuerdo con los requisitos According to the requirements Selons les exigences Secondo i requisitos 4.5, 4.6, 4.10, 4.12 (EN14785)</p>
<p>Temperatura dos gases de combustão Temperatura de los gases de combustión Temperature of the flue gas Température du gaz de fumée Temperatura dato fumi</p>	<p>OK. 165°C</p>	<p>De acordo com os requisitos De acuerdo con los requisitos According to the requirements Selons les exigences Secondo i requisitos 6.2 (EN14785)</p>
<p>Resistência mecânica Resistencia mecánica Mechanical strength résistance Resistenza meccanico</p>	<p>OK. De acordo com relatório de ensaio De acuerdo com informe de la prueba According to the test report Selons le rapport d'essai Secondo i rapporto di prova CEE-0009/18-2 A cada 10 m de conduta de fumos deve ser colocado um suporte de carga cada 10 m de la salida de humos se debe colocar un soporte de carga every 10 m of the flue should be placed a load support tous les 10 m de conduit de fumée doit être placé un support de charge ogni 10 m della canna fumaria deve essere posto un supporto di carico</p>	<p>De acordo com os requisitos De acuerdo con los requisitos According to the requirements Selons les exigences Secondo i requisitos 4.2, 4.3(EN14785)</p>

Potência térmica Potencia térmica Thermic output Puissance thérmiq ue Potenza termico	OK. 8,8 kW	De acordo com os requisitos De acuerdo con los requisitos According to the requirements Selons les exigences Secondo i requisiti 6.1, 6.4 – 6.10 (EN14785)
Rendimento energético Eficiencia energética Energy efficiency L'efficacité énergetique Efficienza energetica	OK. 91 %	≥ 75% para potência térmica nominal de potencia térmica nominal for rated thermal input Pour puissance thermique nominale di potenza termica nominale
	OK. 96 %	≥ 70% para potência térmica reduzida la reducción térmica to reduced thermal à la réduction thermique di potenza térmica ridotto
Durabilidade Durabilidad Durability Durabilité Durabilità	OK. De acordo com relatório de ensaio De acuerdo com informe de la prueba According to the test report Selons le rapport d'essai Secondo i rapporto di prova CEE-0009/18-2	De acordo com os requisitos De acuerdo con los requisitos According to the requirements Selons les exigences Secondo i requisiti 4.2 (EN14785)

10. Distância mínima a materiais combustíveis (laterais/frente/topo) | Distancia mínima a materiales combustibles (laterales/frente/topo) | Minimum distance to combustible materials (side/front/top) | Distance minimale aux matériaux combustibles (côte/avanta/haut) | Distanza mínima da materiali combustibili (lato/anteriore/top)

(200 mm / 1500 mm / 1000 mm / 100 mm)

11. O desempenho do produto declarado nos pontos 1 e 2 é conforme com o desempenho declarado no ponto 9. A presente declaração de desempenho é emitida sob exclusiva responsabilidade do fabricante identificado no ponto 4. | El funcionamiento del producto se indica en los puntos 1 y 2 es compatible con las prestaciones declaradas en el punto 9. La presente declaración se expide bajo la exclusiva responsabilidad del fabricante identificado en lo punto 4. | Performance of the product stated in points 1 and 2 is consistent with the declared performance in point 9. This declaration of performance is issued under the sole responsibility of the manufacturer identified in point 4. | Les performances du produit indiqué dans les points 1 et 2 est compatible avec les performances declares au point 9. Cette déclaration de performance est établie sous la seule responsabilité du fabricant identifié dans le point 4. | Le prestazioni dei prodotti indicati ai punti 1 e 2 è conforme alla prestazione dichiarata al punto 9. Questa dichiarazione di prestazione è rilasciata sotto l'esclusiva responsabilità del fabbricante di cui al punto 4

Nome e cargo | Nombre y cargo | Name and title | Nom et titre | Nome e titolo
Nuno Sequeira (Director Geral | CEO)

Belazaima do Chão, 25/10/2019